

Chemicals

Equipment & Supplies

Service

Renovation & Finishing



HORIZON  
COMMERCIAL  
POOLS



2024



Can't find it?  
Give us a call.

Minneapolis/St. Paul Area: 651.917.3075  
Milwaukee Area: 262.783.6040  
Green Bay Area: 920.687.8351

129 **Service & Renovation**

130-131 **Seasonal Services**

132 **FRED Daily Maintenance Service**

133 **Certified Pool Operator Seminars (CPO)  
Aquatic Facility Operator Training (AFO)**

167 **Customer Information**

168 **Credit Application**

169 **Terms & Conditions**

170 **Saturation Index**

171 **Pool Guidelines WI**

172-173 **Log Sheets WI**

174 **Pool Guidelines MN**

175 **Log Sheet MN**

176 & Inside Back Cover **Index**

<b>Chemicals &amp; Testing Supplies</b>	2-20	Sanitizers & Oxidizers Water Balances Algae Control Water Clarity & Conditioning Stain Prevention & Removal	Cleaners Filter Cleaners Testing Supplies Digital Testing Supplies
<b>Chemical Feeders &amp; Automation</b>	21-36	Controllers Liquid Chemical Feeders Calcium Hypochlorite Feeders Ultraviolet - UV Light Systems Salt Chlorination	CO <sup>2</sup> Feeders & Solenoid Valves Tablet Chemical Feeders
<b>Pumps &amp; Air Blowers</b>	37-45	Pumps Pump Strainers & VFDs Seal Kits & Bearings Replacement Pump Motors Air Blowers	
<b>Filters</b>	46-53	Sand Filters Regenerative & DE Filters Sand & DE Filter Valves Cartridge Filters Filter Media	Filter Cartridges
<b>Heaters</b>	54-60	Gas Heaters Electric Heaters Heater Accessories	
<b>Maintenance &amp; Plumbing</b>	61-88	Flow Meters Thermometers & Gauges Water Level Control Spa & Sauna Accessories Inlets & Skimmers PVC, Fittings & Tubing	Skimmers, Rakes & Brushes Vacuum Heads, Poles, Hoses & Pool Vacuums Automatic Pool Cleaners Maintenance Supplies & Tile Pool Paint Water Slide Maintenance
<b>Safety Equipment</b>	89-108	Signs Deck Markings Pool Safety Equipment Chemical Safety & Handling Ladders, Handrails & Fencing	Main Drain & Suction Safety Safety Vacuum Release Systems (SVRS)
<b>Facility Equipment</b>	109-128	ADA Pool Access Lifts Pool Access & Training Lifeguard Chairs Diving Stands & Boards Starting Platforms	Racing Lanes & Pace Clocks Basketball & Volleyball Safety Padding & Play Features Lights & Accessories Pool Covers
<b>Service, Renovations, Seasonal Supplies &amp; Additional Services</b>	129-133	Service & Renovation Spring Start-Up Winterization FRED Daily Maintenance Services	Education Seminars Certified Pool Operator (CPO) Seminars Aquatic Facility Operator (AFO) Training
<b>Resources</b>	134-176	Parts Breakdowns Customer Information Customer Credit Application Terms & Conditions Saturation Index	Pool Guidelines WI Log Sheets WI Pool Guidelines MN Log Sheets MN Index



# Sanitizers & Oxidizers

## HORIZON Liqui-Chlor 15 (Sodium Hypochlorite 12.5% - 15%)

This is the most economical and most commonly used product for sanitizing water. This unstabilized chlorine solution is ideal for use with automatic chlorine feeders and controller systems. It is also the fastest way to superchlorinate (Shock). \*Container deposits apply. Bulk quantities available, subject to limitations & 30 gallon minimum per order. \*\*Fulfillment/Establishment location: AH = Arden Hills, MN; MKE = Butler, WI; GB = Green Bay, WI

13 fluid ounces will increase 10,000 gallons by 1 ppm.

Item #	Size	Price
1H-LIQ-**01	Bulk per Gallon	Market
1H-LIQ-**025	2.5 Gallon Returnable Drum*	Market
1H-LIQ-**05	5 Gallon Returnable Drum*	Market
1H-LIQ-**05DISP	5 Gallon Disposable Pail	Market
1H-LIQ-**15	15 Gallon Returnable Drum*	Market
1H-LIQ-**55	55 Gallon Returnable Drum*	Market
1H-LIQ-**275TOTE	275 Gallon Disposable Tote	Market



NOTICE: Liquid Chlorine is only available within our distribution area (MN, WI, MI, IL, IA, ND, SD). Customer must provide reasonable access and offloading. Although we take reasonable care, Horizon Commercial Pools is not responsible for damage to carpet or flooring that may occur during or after delivery. Container deposits will apply to all orders as indicated. Returned containers must be in re-usable condition with caps securely in place.

See page 98 for Bulk Solution Tanks

## Drum Wrenches

An essential when you are using 5 gallon, 15 gallon or 55 gallon carboys and drums.

HPS-W397	5 Gallon Drum 70mm Cap Wrench, Aluminum (1)	\$50.58
HPS-W397P	5 Gallon Drum 70mm Cap Wrench, Plastic (2)	\$33.85
HPS-W169	15 & 55 Gallon Drum Cap Wrench, Aluminum (3)	\$23.98



## Pool Shock Liquid Chlorine 12.5%

Commercial grade liquid pool shock for hand feeding. Sold in 4 gallon cases.

13 fluid ounces will increase 10,000 gallons by 1 ppm.



1H-LIQ-4X1	4x1 Gal. Case	Market
	½ Pallet Qty Discount 24+	Market
	Full Pallet Qty Discount 48+	Market



## Calcium Hypochlorite 3" Accu-Tab Tablets

Made in the USA, Accu-Tab three-inch calcium hypochlorite (cal hypo) tablets are quality-controlled through every step of the manufacturing process. The result is a high-performance erosion tablet specifically engineered for Accu-Tab chlorination systems. Does not contain stabilizer. **Warning: Do not mix Calcium Hypochlorite with Tri-Chloro tablets. Use only with Accu-Tab systems.**

Available in MN & WI markets.



1H-CAL25	60 lb Pail	Market
	Full Pallet Qty Discount 24+	Market



## Calcium Hypochlorite Briquettes

For use in Pulsar Systems. Calcium Hypochlorite is a slow dissolving tablet with 65% available chlorine. Does not contain stabilizer. **Warning: Do not mix Calcium Hypochlorite with Tri-Chloro tablets. Use only with Pulsar systems.**

Available in MN market only.



1H-CAL22	50 lb Pail	Market
----------	------------	--------



## Large 3" Tri-Chlor Chlorinating Tablets

Stabilized Chlorine in tablet form for outdoor pools and spas. Used in tablet erosion feeders. 89% available chlorine. Not recommended for use on indoor pools and spas.



1H-TRI03	3" – 25 lb Pail	Market
1H-TRI04	3" – 50 lb Pail	Market

## 1" Tri-Chlor Chlorinating Tablets

Stabilized Chlorine in tablet form for outdoor pools and spas. Used in tablet erosion feeders. 89% available chlorine. Not recommended for use on indoor pools and spas. Choose 1" tablets for faster erosion or 3" tablets for slower erosion.



1H-TRI01	1" – 25 lb Pail	Market
1H-TRI02	1" – 50 lb Pail	Market

## Poolife Turboshock Treatment - 78%

The strongest Cal Hypo shock product in the industry! Dissolves quickly and completely to combat algae and bacteria and keep pool water sparkling clean and clear with less work. 78% Calcium Hypochlorite.



1H-CAL31	25 lb Pail	Market
----------	------------	--------

## Calcium Hypochlorite Granular - 68%

This unstabilized, fast dissolving granular is great for continuous chlorination and shocking. It contains 68% available chlorine. [2.0 ounces will increase 10,000 gallons by 1 ppm.](#)



1H-CAL14	100 lb Pail	Market
----------	-------------	--------

## Calcium Hypochlorite Granular - 68%

This unstabilized, fast dissolving granular is great for continuous chlorination and shocking. It contains 68% available chlorine. [2.0 ounces will increase 10,000 gallons by 1 ppm.](#)



1-PRO022001012	1 lb Bag	Market
1-PRO022005040	5 lb Pail	Market



## Endurance Tablets - 68%

The CCH slow dissolving tablets add no cyanuric acid for less wasteful drainage, and they work with the CCH Endurance feeder. The tablets contain 68% available chlorine. **Warning: Do not mix Calcium Hypochlorite with Tri-Chloro tablets. Use only with Endurance systems.**



1H-CAL40	25 lb Pail	Market
----------	------------	--------

## Dychlor Stabilized Granular Chlorine

Dichlor granular is stabilized chlorine ideal for hand feeding and shocking outdoor pools and spas. Use for spring start up shocking. [2.5 ounces will increase 10,000 gallons by 1 ppm.](#)



1-PRO035005040	5 lb Pail	Market
1-PRO035010040	10 lb Pail	Market
1-PRO035025025	25 lb Pail	Market
1-PRO035050050	50 lb Pail	Market



# Sanitizers & Oxidizers

## HORIZON Non-Chlorine Shock - Oxone Monopersulfate

This product oxidizes organic materials, eliminates combined chlorine in pool water and allows swimming immediately after use. Treatment with Horizon Non-Chlorine Shock on a regular weekly basis improves the efficiency of sanitizing chemicals.

1 pound per 15,000 gallons of water reduces combined chlorine by 1 ppm.



1H-NON01	15 lb Pail	\$150.26
1H-NON02	35 lb Pail	\$227.45
1H-NON04	55 lb Pail	\$387.27
1H-NON03	55 lb Bag	\$353.74

## GLB Oxy-Brite Non-Chlorine Shock Oxidizer

Creates sparkling water and shock treats in one step. Containing DuPont Oxone, a powerful oxygen-based oxidizer, its powerful formula rids pool water of contaminants that cause odor and irritation. It also brightens and clears the water with unique blue water brightening crystals. Swimming can resume in just 15 minutes!

1 pound treats 10,000 gallons of water. 2 pounds per 10,000 gallons in heavily used pools.



1-GLB71414	1 lb Bag	\$114.99
1-GLB71420	20 lb Pail	\$216.35

## Bromine Tablets

Bromine is unstabilized and slow dissolving for pools and spas. It stays active in hot water and with high pH levels. It is an effective sanitizer that is popular for spas.



1-PRO038004032	4 lb Pail	Market
1H-BRO01	25 lb Pail	Market
1H-BRO02	50 lb Pail	Market

## AQUASALT Swimming Pool Salt - Pool Grade Evaporated

Evaporated Food Quality AQUASALT is intended for use in swimming pools with a chlorine generator or salt water sanitizing system. The purity and crystal size are designed to produce the fastest dissolve rate.

40 pounds will increase 10,000 gallons by 500 ppm.



USC-SALT	40 lb Bag	\$19.09
Pallet Qty Discount 63+		\$15.27

### Characteristics of Sanitizers

	Sodium Hypochlorite	Calcium Hypochlorite	Lithium Hypochlorite	Gas Chlorine	Trichlor	Dichlor	Bromine
% Available Chlorine Content	8-15% <small>(varies between suppliers)</small>	65-78%	35%	100%	90%	56-63%	27%
% Active Strength	8-15% <small>(varies between suppliers)</small>	65-78%	29%	100%	89%	>99%	95.5%
pH in 1% Solution	13	8.5 - 11	10.8	0	2.8 - 3.5	6.5 - 6.8	4.8
PH Effect in Water	Raises	Raises	Raises	Lowers	Lowers	Neutral	Lowers
Physical Appearance	Liquid	Granular, Tablets & Briquette	Granular	Gas	Tabs	Granular	Tablets & Granular



## **ACID Magic** User Friendly Muriatic Acid

Acid Magic is a much safer alternative to Muriatic Acid. It is a buffered Hydrochloric Acid that has 90% less fumes and won't burn intact skin. Can be used for lowering pH & Alkalinity, acid washing and cleaning cartridge filters. *\*Container deposits apply. Bulk quantities available, subject to limitations & 75 gallon minimum per order & 100 gallon minimum tank size.*

[See dosage chart on following page.](#)



1H-ACI01	4X1 Gal. Case	Market
1H-ACI02	5 Gal. Drum*	Market
1H-ACI03	15 Gal. Drum*	Market
1H-ACI05	55 Gal. Drum*	Market
1H-ACI06	Bulk/Gallon*	Market

## **Hydrochloric Acid 20BE (Muriatic Acid)- 31.5%**

Use to lower pH and Alkalinity levels, and acid washing. Ideal for use with chemical feeders. Dosage varies depending on pH level and the acid/base demand of the water. *\*Container deposits apply. Bulk quantities available, subject to limitations & 100 gallon minimum per order & 150 gallon minimum tank size.*

[See dosage chart on following page.](#)



1H-MUR01	4X1 Gal. Case	Market
1H-MUR02D	5 Gal. Drum	Market
1H-MUR03	15 Gal. Drum*	Market
1H-MUR05	55 Gal. Drum*	Market
1H-MUR04	Bulk/Gallon*	Market

## **Pre-Diluted 1:4 Muriatic Acid - Hydrochloric Acid**

Pre-diluted Muriatic Acid diluted with 4 gallons of water to 1 gallon of acid ratio. Use to lower pH and Alkalinity levels, and acid washing. Ideal for use with chemical feeders. Dosage varies depending on pH level and the acid/base demand of the water. *\*Container deposits apply.*

[See dosage chart on following page.](#)



1H-MUR10	5 Gal. Drum*	Market
1H-MUR11	15 Gal. Drum*	Market
1H-MUR12	55 Gal. Drum*	Market

## **ACID RITE** Acid-Rite Sodium Bisulfate Acid Tablets

Acid-Rite is a solid chemical tablet made of Sodium Bisulfate acid that provides an extremely effective alternative to standard liquid hydrochloric acid pH adjustment. These red tinted tablets provide low odor and are much safer and easier to handle than the alternatives.

**Warning: For use only with Acid-Rite Feeder Systems.**



1H-ARITE01	45 lb Pail	Market
Full Pallet Qty Discount 24+		Market

## **HORIZON** pH Decreaser - Sodium Bisulfate

Use to lower pH and Alkalinity levels. This form of pH control is safe to handle and can be added by chemical feeder or by dissolving in a bucket and pouring directly into the pool. Has less effect on Alkalinity than hydrochloric acid.

[See dosage chart on following page.](#)

[Dissolve at a rate of 10 pounds per 5 gallons of water.](#)



1H-PHD01	15 lb Jug	\$61.34
1H-PHD02	35 lb Pail	\$89.43
1H-PHD04	50 lb Pail	\$113.23
1H-PHD03	50 lb Bag	\$82.50

## **HORIZON** pH Increaser - Soda Ash

This safe to use powder is used to raise pH. It can be dissolved and added by chemical feeder or by dissolving in a bucket and pouring directly into the pool.

[See dosage chart on following page.](#)

[Dissolve at a rate of 4 pounds per 10 gallons of water.](#)



1H-PHI01	10 lb. Jug	\$45.32
1H-PHI02	25 lb Pail	\$63.59
1H-PHI04	50 lb Pail	\$102.96
1H-PHI03	50 lb Bag	\$74.38



# Water Balancers

## Carbon Dioxide CO<sub>2</sub>

Carbon Dioxide (CO<sub>2</sub>) is a cost effective gas for reducing pH. Best used in areas of low or neutral make up water Alkalinity. *\*Cylinder deposits apply.*

[Dose with chemical feeder only.](#)



1H-CAR02	65 Lb. Cylinder*	Market
----------	------------------	--------

## Sulfuric Acid - 35% & 40%

Use to lower pH levels. Sulfuric Acid is extremely effective in lowering pH and is non-fuming. Use in areas with high make-up water pH and Alkalinity. *\*Container deposits apply. Bulk quantities available, subject to limitations. \*\*Fulfillment Location: AH = Arden Hills, MN (35%); MKE = Butler, WI & Green Bay, WI (40%)*

[See dosage chart below.](#)



1H-SUL-**01	Bulk per Gallon*	Market
-------------	------------------	--------

1H-SUL-**15	15 Gal. Drum*	Market
-------------	---------------	--------

1H-SUL-**55	55 Gal. Drum*	Market
-------------	---------------	--------

## Controlling pH

Accurate control of the pH of swimming pool water is essential for swimmer comfort, equipment life, chlorine effectiveness, and compliance with health codes. Operation at a pH below 7.2 may cause corrosive damage to pipes and equipment, pool walls, and be uncomfortable for swimmers. High pH reduces the effectiveness of sanitizers, encourages algae growth, and can damage equipment. Most state health departments require that the pH of swimming pool water be kept between 7.2 and 7.8.

Lower pH	Muriatic Acid	4:1 Muriatic Acid	Acid Magic	Sodium Bisulfate	Carbon Dioxide CO <sub>2</sub>	Sulfuric Acid
pH Level	Per 10,000 gal.	Per 10,000 gal.	Per 10,000 gal.	Per 10,000 gal.	Per 10,000 gal.	Per 10,000 gal.
7.6 to 7.8	12 Fl. Oz.	60 Fl. Oz.	12 Fl. Oz.	0.75 Lb.	.35 Lb.	12 Fl. Oz.
7.8 to 8.0	16 Fl. Oz.	80 Fl. Oz.	16 Fl. Oz.	1.25 Lb.	.50 Lb.	16 Fl. Oz.
8.0 to 8.4	24 Fl. Oz.	120 Fl. Oz.	24 Fl. Oz.	1.50 Lb.	.75 Lb.	24 Fl. Oz.

Increase pH	Soda Ash
pH Level	Per 10,000 gal.
7.2 to 7.4	6 ounces
7.0 to 7.2	8 ounces
6.6 to 7.0	12 ounces

## Characteristics of pH Reducers

	Acid Magic Buffered Acid	Muriatic Acid (Hydrochloric Acid)	4:1 Muriatic Acid	Sodium Bisulfate	CO <sub>2</sub>	Sulfuric Acid
<b>Physical Properties</b>	Liquid	Liquid	Liquid	Dry Powder	Gas	Liquid
<b>Effective pH</b>	< 0	< 1.0	1.0 – 2.0	N/A	5.0	<0
<b>Effect on Alkalinity</b>	Lowers	Lowers	Lowers	Mildly Lowers	None	Lowers
<b>Hazards</b>	Corrosive	Corrosive, Gasses off	Corrosive, Gasses off	Mildly Corrosive	None	Extremely Corrosive
<b>Benefits</b>	Won't burn living skin, very little gassing	Lowers alkalinity	Pre-diluted for small bodies of water	Dry powder or tablet, no gassing, easier storage	Instantly soluble, compact storage	Very little gassing





## HORIZON Alkalinity Increaser - Sodium Bicarbonate

Used to raise the Alkalinity of water. Alkalinity is the measure of the pH buffering capacity, or the water's resistance to a change in pH.

1.5 pounds will increase 10,000 gallons by 10 ppm.

To decrease Alkalinity: Test water for Acid Demand. Add calculated amount of Muriatic Acid or Acid Magic to satisfy the water's demand for acid. Acid can be added right away or over time by running a lower pH level (7.2 – 7.4).



1H-ALK01	10 lb. Jug	\$40.82
1H-ALK02	25 lb Pail	\$59.36
1H-ALK04	50 lb Pail	\$96.43
1H-ALK03	50 lb Bag	\$64.58
Pallet Qty Discount 49+ Bags		\$45.20

## HORIZON Hardness Increaser - Calcium Chloride

Used to increase Calcium Hardness levels in water. Low hardness levels are damaging to equipment and the pool surface, and will give your water a dull, hazy look. High levels are scale forming and may damage equipment.

1 pound will increase 10,000 gallons by 10 ppm.



1H-HAR01	10 lb. Jug	\$42.66
1H-HAR02	25 lb Pail	\$62.43
1H-HAR04	50 lb Pail	\$101.35
1H-HAR03	50 lb Bag	\$71.75
Pallet Qty Discount 55+ Bags		\$50.23

## HORIZON Chlorine/Bromine Neutralizer (De-Chlor) - Sodium Thiosulfate

Lowers Chlorine and Bromine levels in pools or spas. Typically used after super chlorinating or when chlorine levels exceed health department requirements. Easy dissolve powder!

2.6 ounce will decrease 10,000 gallons by 1 ppm.



1H-CHL15	10 lb. Jug	\$75.33
1H-CHL16	25 lb Pail	\$118.42
1H-CHL18	50 lb Pail	\$210.61
1H-CHL17	50 lb Bag	\$185.00

## HORIZON Chlorine Stabilizer - Cyanuric Acid

Stops sunlight from dissipating chlorine strength. Needed in outdoor swimming pools and spas that use an unstabilized form of sanitation (i.e. Liquid Chlorine). Ideal range is 10-30 ppm.

13 ounces will increase 10,000 gallons by 10 ppm.

Liquid Cyanuric Acid available - See page 10



1H-STA06	10 lb. Jug	\$72.32
1H-STA07	25 lb Pail	\$126.93
1H-STA10	50 lb Pail	\$213.08

### Balancing Chemicals - Effect on pH

	Sodium Bicarbonate Alkalinity Increaser	Calcium Chloride Hardness Increaser	Sodium Thiosulfate Chlorine Neutralizer	Cyanuric Acid Stabilizer Conditioner
Effect on pH	Increases	Increases	Decreases	Decreases
Effective pH	8.3	8.0-9.0	6.5	4.8

### Controlling Alkalinity

Alkalinity is the measure of the water's pH-buffering capacity, or the water's ability to resist changes in pH. It is essentially like an anchor for keeping pH where it should be. It also determines the effectiveness of ORP based controllers. When the Total Alkalinity of water is out of range, the pH can fluctuate rapidly and control of pH will be difficult. Low Alkalinity may cause corrosion or etching of the pool or spa wall surfaces and to the equipment. To increase Total Alkalinity use sodium bicarbonate as directed. When the Total Alkalinity of water is high, the pH of the water is usually higher than ideal and becomes very difficult to change. To decrease Alkalinity, test the water for Acid/Base Demand. Add calculated amount of Muriatic Acid or Acid Magic to satisfy the water's demand for acid. Acid can be added right away or over time by running a lower pH level (7.2 – 7.4).



# Algae Control



## Algatec Synergy Algaecide

Algatec is a synergistic algaecide, water clarifier and chlorine booster for all types of swimming pools. Algatec kills green and yellow algae in 4 to 24 hours and eradicates black algae (fungus) in 7 to 10 days.  
Dosage: 40 ounces treats 10,000 gallons of water with visible algae.



1-MCG10064 64 Oz Bottle \$60.84



## Standard-10 Algaecide

Keeps pool water clear and free of visible algae. Controls algae slime in both swimming pools and spas.  
Initial Treatment: 26 fl. oz. treats 10,000 gallons of water.  
Weekly Maint. Dose: 1 quart treats 50,000 gallons of water.



1-PHOALG10 Gallon \$37.55

## SeaKlear 90-Day Prevention & Remover

Excellent broad-spectrum algaecide that keeps pool water clear and sparkling. Formulated with an extremely effective and economical, low-dose organic copper complex that kills and prevents all types of algae including blue-green, black and mustard algae. Each application is effective for up to 3 months.  
Initial Treatment: 32 fl. oz. treats 10,000 gallons of water.  
3 Mo. Maint. Dose: 16 fl. oz. treats 10,000 gallons of water.



1-NAT90411SKR Quart \$43.65  
1-NAT90311SKR Gallon \$120.98

## GLB Algimycin "2000" Algaecide

A blend of several components that work synergistically to control all types of swimming pool algae including black, green, mustard and yellow. If used weekly, it prevents algae outbreaks in the pool.  
Initial Treatment: 16-24 fl. oz. treats 10,000 gallons of water.  
Weekly Maint. Dose: 4-8 fl. oz. per 10,000 gallons of water.



1-GLB71104 Quart \$55.18  
1-GLB71106 Gallon \$159.30



## Black Algaetrine Algaecide

This formulation was specially designed to fight black algae. Containing copper and exclusive penetrating agents to kill and prevent the growth of algae cells.  
Initial Treatment: 12 oz. treats 10,000 gallons of water.  
Weekly Maint. Dose: 6 fl. oz. per 10,000 gallons of water.



1-ABI406303 Quart \$70.98



## Yellowtrine Algaecide

Yellowtrine® granular algaecide rids all pool types of mustard algae and destroys deposits without leaving a residue. Must be used in conjunction with a chlorine shock product.  
Initial Treatment: 4 oz. treats 10,000 gallons of water.  
Weekly Maint. Dose: 2-4 oz. per 10,000 gallons of water.



1-ABI408622 3 lb Bottle \$71.37



## Phosfree

Reducing phosphate levels in pools is easy with Natural Chemistry's patented Phosfree technology. Phosfree is formulated from lanthanum (rare earth) compounds. When added to the skimmer, a thin coating of Phosfree forms on the filter media. As pool water flows through the filter, phosphates are reduced to a very low level.  
Dosage: 32 ounces removes 600 parts per billion in 10,000 gallons of water.



1-NAT15121NCM 3-Liter Bottle \$67.38

See page 19 for Phosphate Test Kits



## **HORIZON** Blue Clarifier

Produces crystal clear water. Designed to coagulate small particles for more efficient filtration. Great when used in conjunction with Horizon Stain Inhibitor in areas with high mineral content.

1 oz. treats 5,000 gallons.



1H-BLU01	Gallon	\$65.37
1H-BLU04P	5 Gallon Pail	\$184.88



## **Pooltec 3-in-1 Water Treatment**

Pooltec is a 3-in-1 multitask product that kills and prevents all types of algae growth, provides ultra water clarity, and is a strong chlorine booster for both chlorine and salt pools. Improves salt cell chlorine output and effectiveness.

4 ounces treats 10,000 gallons per week.



1-MCG30064	64 Oz Bottle	\$56.91
------------	--------------	---------

## **SeaKlear** Chitosan Clarifier for Pools, Spas & Ponds

Natural Clarifier attracts organic debris, oils, and stain causing metals with chitosan, a natural polymer, and carries it to the filter. Improves filter efficiency by suspending contaminants on the surface of filter media without clogging the filter. Safe for use in ponds, fountains, and aquariums.

Cloudy Water Treatment: 2-4 ounces treats 10,000 gallons.

Weekly Maintenance Dose: 1 ounces per 10,000 gallons.



1-NAT90402SKR	Quart	\$35.31
1-NAT90302SKR	Gallon	\$97.24

## **SeaKlear** Free & Klear

SeaKlear Free & Klear combines phosphate control, scum prevention, and maintenance clarifier all in one. Removes 1,000 ppb phosphates in 10,000 gallons. Recommended for weekly use.

Dosage: 4-8 fluid ounces treats 10,000 gallons of water.



1-NAT90051SKR	Quart	\$41.61
1-NAT90052SKR	Gallon	\$124.23

## **GLB** Super Blue Clarifier

This concentrated formula removes organic particles that can result in dull water and clogged filters. It adds crystal clear sparkle and reduces sanitizer demand without affecting the pH balance of your pool water.

2 ounce treats 10,000 gallons.



1-GLB71205	Quart	\$31.01
------------	-------	---------

## **Unique Super Strength Water Clarifier**

A unique combination of chemicals that will keep your pool or spa crystal clear and free from iron, calcium build-up, staining, foam, and turbid and cloudy water by removing and coagulating impurities and suspended particles.

Initial Treatment: 4 ounces treats 5,000 gallons.

Weekly Maintenance Dose: 2 ounces per 5,000 gallons.



1H-UNI01	Gallon	\$71.78
----------	--------	---------



## **Pooltec - Fall/Winter Pool Treatment**

Pooltec Fall-winter Treatment provides strong, lasting winter protection that outlast winterizing kits and other winter treatments. Contains an all season algaecide, water clarifier, non-chlorine treatment, and powerful sequestant.

32 ounces treats 10,000 gallons.



1-MCG36664	64 Oz Bottle	\$56.91
------------	--------------	---------



# Water Clarity & Conditioning



## Liquid Instant Conditioner

Instant Pool Water Conditioner protects your chlorine from the light of the sun. With a highly concentrated liquid formula it is easy to apply and safe for use with all sanitizers and pool surfaces. No more hours spent dissolving dry Cyanuric Acid powder.

4 ounces will increase 10,000 gallons by 1 ppm.



1-NAT17401NCM	Gallon	\$59.49
---------------	--------	---------

## HORIZON Chlorine Stabilizer - Cyanuric Acid

Stops sunlight from dissipating chlorine strength. Needed in outdoor swimming pools and spas that use an un-stabilized form of sanitation (i.e. Liquid Chlorine). Ideal range is 10-30 ppm.

13 ounces will increase 10,000 gallons by 10 ppm.



1H-STA06	10 lb. Jug	\$72.32
1H-STA07	25 lb Pail	\$126.93
1H-STA10	50 lb Pail	\$213.08

## Bio-Active Cyanuric Acid Remover

Bio-Active Cyanuric Acid Reducer is an all natural and ultra-powerful water treatment solution to reduce excess Cyanuric Acid levels in swimming pools. Use in outdoor swimming pools only.

8 ounce bag will decrease 25,000 gallons by 40-60 ppm.



1-BIOCAR8	8 oz. Bag	\$75.08
-----------	-----------	---------

## ORB-3 SOLUTIONS ORB-3 Pool Enzymes Pro (Non-Foaming)

This enzyme will biodegrade organic substances and keep them from forming in water. It will eat oils and prevent clogged filters, water mold, water lines and chemical odors. Using a weekly maintenance dose will reduce sanitizer usage, prevent cloudy water, algae blooms and enhance clarifiers and algaecides. Contains no bacteria and is non-toxic, non-flammable, non-hazardous, and biodegradable.

Weekly Dosage: 5 fl. oz. per 10,000 gallons. For best results dose with a metering pump or weekly by hand.



1-ORBM411G	Gallon Jug	\$82.66
1-ORBM411G	4+ Gallon Jugs	\$74.39

## ORB-3 SOLUTIONS ORB-3 Spa Enzymes (Non-Foaming)

The same great enzyme as Orb-3 Pool Enzyme, but formulated specifically for hot water and spa applications.

Weekly Dosage: 1 fl. oz. per 500 gallons. For best results dose with a metering pump or weekly by hand.



1-ORBY240Q	Quart	\$30.32
1-ORBY240G	Gallon Jug	\$87.70
1-ORBY240G	4+ Gallon Jugs	\$78.93

## EASY-CARE Startup-Tec

Advanced treatment for the prevention of plaster dust, staining and mottling. Provides cleaner startups with 90%-100% less dust and brushing. Advanced multi-sequestrant formulation, no phosphates or acids.

64 ounces treats 10,000 gallons.



1-MCG70064	64 Oz Bottle	\$64.05
------------	--------------	---------

## Enzyme Dosing Pump

Dosing enzymes daily with an enzyme metering pump maximizes the effectiveness of enzyme use. Simply set the pump to feed the daily enzyme dose to create a much cleaner, more comfortable swimming environment. Remove scum lines, reduce chemical use, eliminate odors and much more.

Call for a cost and benefit analysis in addition to a quote.



FLE-HS115		\$370.50
-----------	--	----------



## Anti-Foam

BioGuard Anti Foam is an excellent way to remove annoying foam buildup in your pool, spa, hot tub or ornamental fountain, leaving your water crystal clear in seconds.

Pool Dose: Add 2 oz. per 5,000 gallons of water as needed.

Spa Dose: Add 1 tsp per 200 gallons of water as needed.



1-BIO23642	Quart	\$38.77
------------	-------	---------



## De-Bug

De-Bug reduces the surface tension of the water causing floating insects to drop to the pool bottom for easy removal by vacuum and filtration. Even diving insects are removed by De-Bug because it destroys the bubbles they need to swim below the surface. Works immediately after application.

Dosage: 4-8 fluid ounces treats 10,000 gallons.



1-PHODEBQT	Quart	\$27.65
------------	-------	---------

## RevivePRG™

RevivePRO is a multi-action product that removes phosphates, metals including copper and iron, scaling carbonates, organic debris and other contaminants that cause turbidity in water. It is very effective for use on new pool start-ups, replaster/remodel jobs, refills, spring openings, severe algae clean-ups, and for routine maintenance of all swimming pools.

Initial Dose: 32 fluid ounces per 25,000 gallons of water.

Maintenance Dose: 2 fluid ounces per 10,000 gallons of water.



1-APIREV32	Quart	\$78.96
------------	-------	---------

1-APIREV1G	Gallon	\$206.96
------------	--------	----------



# Stain Prevention & Removal



## Beautec Scale-Stain-Scum Preventative Surface Cleaner

The ultimate pool surface protection for superior scale, stain, and scum control and removal. New Synertec polymer technology provides unsurpassed surface protection without phosphates and acids. Beautec also removes existing scale buildup on tile and salt cell generators without scrubbing and use of harsh acid cleaners.

Initial Treatment: 32 fluid ounces per 10,000 gallons.

Monthly Maintenance Dose: 5 fluid ounces per 10,000 gallons.



1-MCG22064 64 Oz Bottle \$61.74



## Metalfree / Stain & Scale Control

Metalfree & Stain & Scale Control are highly effective metal chelating agents that protects against staining and discoloration from trace metals such as iron and copper. Does not raise phosphate levels in pool water like many other stain and scale products.

Initial Treatment: 1 bottle (33.9 fluid ounces) per 20,000 gallons.

Weekly Maintenance Dose: 4 fluid ounces per 10,000 gallons.



1-NAT17001NMC Liter \$43.23

1-NAT20701PRO Gallon \$106.96

## GLB Sequa-Sol

Sequestrant protects surface, pipes, filters, heaters, pumps and other equipment against stains, scale, rust and corrosion. Stable in water at high temperatures.

Initial Treatment: 16-32 oz per 10,000 gallons of water.

Weekly Maintenance Dose: 4 fluid ounces per 10,000 gallons.



1-GLB71016 Quart \$40.00

## GLB Super Sequa-Sol

Concentrated powdered form of Sequa-Sol. Sequestrant protects surface, pipes, filters, heaters, pumps and other equipment against stains, scale, rust and corrosion.

Initial Treatment: 10-20 oz per 10,000 gallons of water.

Weekly Maintenance Dose: 2 ounces per 10,000 gallons.



1-GLB71024 2 lb Bottle \$58.78

## Jack's Magic "The Magenta Stuff"

The Magenta Stuff is the most advanced start up and stain-fighting product available for a beautiful stain-free pool. Fast-acting and long-lasting, this great product helps removes stains and scale and protects all pool finishes from staining and scaling.

Initial Treatment: 32 oz per 15,000 gallons of water.

Weekly Maintenance Dose: 6-8 ounces per 15,000 gallons.



1-JMPMAGENTA032 Quart \$53.10

## Jack's Magic "The Blue Stuff"

The Blue Stuff is the most recommended start up product in the swimming pool industry for plaster pools and is very efficient at controlling plaster dust. It removes metals such as copper, iron, and manganese from the water and is very stable in high chlorine (even over 10 ppm) levels. The Blue Stuff prevents and removes stains and scale in plaster, vinyl, and fiberglass pools.

Initial Treatment: 32 oz per 10,000 gallons of water.

Weekly Maintenance Dose: 6-8 ounces per 10,000 gallons.



1-JMPBLUE032 Quart \$56.12

## GLB Stain Magnet

A stain remover for use in all types of pools including gunite, plaster, concrete, vinyl and fiberglass. Remove metallic stains without the inconvenience of draining pool water.

2.5 pounds per 20,000 gallons of water.



1-GLB71020 2.5 lb Bottle \$47.27



## HAYWARD "Bobby" Reusable Pool Water Filter

Helps eliminate staining caused by excessive organics in water. Five micron filter capacity. Great in areas of hard or dirty make-up water. Simply attach to any garden hose and place in deepest end of pool to fill.

10" up to 20,000 gallons and 20" up to 40,000 gallons.



HAY-SP022310	10" Bobby	\$83.46
HAY-SP022320	20" Bobby	\$107.66

## METALTRAP Hose End Metal Removal Filters

METALTRAP products utilize new "filtration media materials" that don't just treat water – they chemically react to physically trap metals, removing them permanently.



HYD-MT10	10,000 Gallons	\$210.82
HYD-MT25	25,000 Gallons	\$306.72
HYD-MT50	50,000 Gallons	\$501.98

## METALTRAP In-Line Dual Filtration Metal Removal Systems

METALTRAP Pre-Filter for pools and spas traps the metals before they reach your pool and is safe and effective. Each in-line system includes a METALTRAP filter and a 5 micron sediment filter which are plumbed directly into your pool or spa makeup water line.



### Complete Systems

HYD-MTDS14	14,000 Gallons	\$414.53
HYD-MTDS22	22,000 Gallons	\$698.50

### Replacement Metal Filters

HYD-MTRC14	14,000 Gallons	\$172.80
HYD-MTRC22	22,000 Gallons	\$283.82

### Replacement Sediment Filters

HYD-5MPFRC14	14,000 Gallons	\$67.20
HYD-5MPFRC22	22,000 Gallons	\$99.07

## HORIZON Filter Cleaner / Stain Remover

Filter Cleaner Stain Remover (Sodium Hydrosulfite) can be used for stain removal on pool or spa surfaces and in filters. The chemical lifts minerals off the pool surface and out of sand filters. Application can be done in several different ways depending upon the use, severity of staining, size of pool, and how much time is allowed for the cleaning process.

Sand Filter Treatment: 1 pound per 7 square feet of filter area.

Pool Surface Treatment: 2-3 pounds per 12,000 gallons of water.

**\*\*SHIPPING RESTRICTION:** Due to this chemical's hazard class it can only be shipped within the MN Twin Cities Metro area via courier or can be will-called at our MN warehouse.



1H-FIL01	10 lb. Pail	\$124.00
1H-FIL02	25 lb Pail	\$249.00
1H-FIL04	50 lb Pail	\$449.00

## Rust-B-Gone

Removes rust from almost everything which includes pools, patios, slides, floors, spas, decks, sinks, water, tubs, walks, showers and water softeners. Remove metallic stains without the inconvenience of draining pool water.



1-LYNRUSTB5	5 lb Jug	\$61.43
1-LYNRUSTB50	50 lb Pail	\$416.10

## STAIN DROP Spot Stain Chalk

Scrub away pesky stains once and for all. Spot Stain Chalk is applied directly to the problem area to remove stains created by metals and organic stains from leaves and debris. Safe for all hard surfaces, including plaster, vinyl, tile, concrete & fiberglass. Puck can be dried and re-used.



1-HAVC005931-EA	9 Oz. Tablet	\$22.44
-----------------	--------------	---------



# Cleaners



## Scum Line Wipe Away

An excellent cleaner that is very effective in removing body oils, chemical residues, lotions and dirt that create film at the tile line. Great hard surface cleaner for patios, patio furniture, showers, boats, slides, pool ladders, and so much more!



1-PHOSCUMAWAY      Quart      \$24.68



## 300 Swimming Pool Tile Cleaner

Concentrated, fast acting, thick tile cleaner removes calcium deposits, oils, grease and most soils in minutes. Removes tough scale on tile and pebble surfaces. Only use on tough scale and deposits; not for routine tile cleaning.



1-BIO300      Quart      \$43.33



## Clean & Perfect

SMARTzyme technology makes Clean & Perfect the perfect indoor and outdoor cleaner. It cleans even the toughest grease, dirt and grime with ease, yet won't harm any hard surface. Removes grease, grime, soot, residue from mildew, waterline rings, leaf stains, and dead insects. Eliminates the strongest odors on contact even pet accidents.



1-NAT10176NCM      22 Oz. Spray Bottle      \$24.16

## GLB TLC Surface Cleaner

Removes oil, grime and mineral scale from common pool surfaces such as tile, vinyl and concrete. This extra-strength, concentrated thick formula clings to upright surfaces longer for more effective cleaning power.



1-GLB71028      Quart      \$26.35



## "Surface Magic"

A time-saving highly effective way to remove debris from your pool water surface. When used as directed, Surface Magic will quickly clear your pool water's surface of dirt, grass clippings, leaves, oils, bugs, and other floating debris, making clean up easy.



1-JMPSURFACE02      2 Ounce      \$17.60

## POOLMASTER® Pool Pumice Stone

Poolmaster's environmentally friendly cleaning blocks provide powerful, effective, and safe cleaning for pools and spas without the use of chemicals. This Pumice Stone removes hard water stains, rust, mineral build-up, mold, and mildew stains with ease. Safe on most pool surfaces including tile, grout, concrete, and gunite.



PUR-36700      Large Block      \$24.97



## **WYSIWASH** The Ultimate Cleaning Solution Sanitizing Eco-friendly Cleaning Solution

The Wysiwash Sanitizer is a hand held, pH neutral, chlorine generator that operates on any standard garden hose. This patented chlorine delivery system used with solid calcium hypochlorite caplets (EPA registered), literally turns water into magic. Wysiwash is a triple threat: economical, eco-friendly and pet safe. It is a powerful fast acting disinfectant that kills bacteria, viruses and fungi. To sanitize an area, simply attach the Wysiwash sanitizer to a garden hose, point and spray. No rinsing is necessary and it is safe for humans and animals to touch surfaces sprayed with Wysiwash right away. Use on all pool surfaces, decks, furniture, bathrooms, showers, playground equipment and any other surfaces that requires cleaning and sanitizing.



WYS-102	Wysiwash Sanitizer-V	\$135.00
WYS-117	Jacketed Capsules, 9-Pack	\$99.81

## **SAFECID** Pool & Spa Descaler

SAFECID Pool & Spa Descaler is a safe yet very powerful and multi-functional acid cleaner concentrate. SAFECID removes lime, calcium, scale, mineral deposits and rust stains from tile, metal, wood, plastic, vinyl and fiberglass pools, spas and hot tubs. Product is non-corrosive and non-hazardous.



1-SAFHAR101QTS	Qt Spray Bottle	\$25.11
1-SAFHAR101G1	Gallon	\$49.85
1-SAFHAR101G5	5 Gallon Pail	\$200.45

## **SAFECID** Pool & Spa Degreaser

High foaming, high pH solution without the use of harmful caustics or other dangerous chemicals. Cleans and breaks down grease, oils, proteins, biofilms and carbohydrate deposits without harming surfaces. Excellent at removing scum and buildup on water line tile.



1-SAFCR910Q1	Quart	\$21.76
1-SAFCR910G1	Gallon	\$49.85
1-SAFCR910G5	5 Gallon Pail	\$220.25

## **HORIZON** TSP Cleaner (Tri-Sodium Phosphate)

Cleaner and degreaser used to clean cartridge and DE filters. Also use to wash swimming pool surface before acid washing. TSP Cleaner will break up oils and grease in pool surface to allow acid bath to be more effective.



1H-TSP01	10 lb. Jug	\$98.78
----------	------------	---------

# Cleaners



## Spa Purge

A highly concentrated, acid-free formula that deep cleans spa plumbing before initial fill and with regular water changes. It's easy and safe to use!



1-NAT14137NCM	1 Liter	\$32.46
---------------	---------	---------



## Oh Yuk! Healthy Hot Tub Cleaner

Oh Yuk Healthy Hot Tub Cleaner finds hidden contaminants in your hot tub and eradicates them for a cleaner, healthier and safer hot tub experience. Also a great cartridge filter cleaner.

Add 8 fluid ounces per 250 gallons of water before draining.



1-ESP-OYHHT-1PT	16 Ounce	\$26.25
-----------------	----------	---------

1-ESP-OYHHT-1G	Gallon	\$73.50
----------------	--------	---------



## Oh Yuk! Jetted Bathtub System Cleaner

Our jetted bathtub cleaner is specifically designed to break down and remove the Yuk from the inside of your jetted bathtubs.



1-ESP-OYJT-OZCS	1.5 Fl. Oz. Pouch, Case of 100	\$250.00
-----------------	-----------------------------------	----------

1-ESP-OYJT-1PT	16 Ounce Btl.	\$26.25
----------------	---------------	---------

1-ESP-OYJT-1G	1 Gallon Jug	\$68.25
---------------	--------------	---------

## Sheila Shine - Stainless Steel "Polish & Protectant"

Sheila Shine removes grease, film, watermarks and finger marks, covers scratches and leaves a hard protective coating that preserves the surface against deterioration of any kind. Also effective on chrome, aluminum, brass, Formica, porcelain, fiberglass, plastic, leather and more.



SHE-001	8-10oz. Aerosol Can	\$26.55
---------	---------------------	---------

SHE-003	1 Gallon Can	\$90.09
---------	--------------	---------

## Citrisurf 2210 Stainless Steel "Cleaner"

A high quality blend of chemicals formulated for the cleaning and passivation of stainless steel products. Works in under 30 minutes and comes in a convenient gel form.



1-STE2210	Gallon	\$109.20
-----------	--------	----------

## Citrisurf 2310 Stainless Steel "Rust Remover"

A high quality blend of chemicals formulated for rust removal, cleaning and passivation of stainless steel products. Comes in convenient gel form for easy application.



1-STE2310	Gallon	\$111.30
-----------	--------	----------

## EVERBRITE ProtectaClear Coating

ProtectaClear is a tough, durable clear coating that will seal and protect metals that get a lot of use. It has superior resistance to salts and chlorine, so it's a perfect solution for metals that are in outdoor and indoor pool areas.

Coverage is 5 sq ft per ounce per coat. 2 coats recommended.



EVE-PC4	4 Ounce Can	\$41.52
---------	-------------	---------

EVE-PC16	16 Ounce Can	\$79.92
----------	--------------	---------



## Backwash Filter Cleaner

Removes organic and inorganic buildup and cleans sand particles during the backwash cycle. Extends the life of filter media (sand). Use Back Wash every time the filter is backwashed to maintain filter efficiency and a crystal clear pool. Dose through skimmer.

Dosage: 8 oz. per filter backwash.



1-PLF62062	Quart	\$36.42
------------	-------	---------



## Oh Yuk! Sand Filter Cleaner

Oh Yuk! Sand Cleaner will optimize your filtration by enabling all of the sand in the filter to work by eliminating channeling and contaminants that block and impede the sand from filtering effectively. Can also be used on DE filter grids.

Dose: 1 Gallon per 300 pounds of filter media. Add 1 gallon of Muriatic Acid per 300 pounds for a deeper cleaning.



1-ESP-PSFC-1G	Gallon	\$64.86
1-ESP-PSFC-5G	5 Gallon Pail	\$173.75

## GLB Filter Cleanse

A multi-purpose granular formulation that cleans and unclogs filters from grease, oils and scale. Use with any type of filter (sand, cartridge or D.E. filters). Filter Cleanse unique chemistry will gradually change from red to yellow as it cleans.

Dilution: 1 pound per 5 gallons of water.



1-GLB71006	2 lb Bottle	\$38.08
------------	-------------	---------

## GLB Filter Fresh

An acid-based liquid cartridge filter cleaner. Removes scale, rust, cosmetics, oil and other materials from filter cartridges using an overnight soak-and-rinse formula.

Dilution: 16 oz. per 2.5 gallons of warm water.



1-GLB71010	Quart	\$26.45
------------	-------	---------



## Chem-Clean Express Filter Cleaner

A multi-purpose granular formulation that cleans and unclogs filters from grease, oils and scale. Great for use on all types of swimming pool filters. Specially formulated for use on all Neptune-Benson sand and Defender filters.

Dose based on Neptune-Benson filter requirements.



NEP-1000-5866	55 lb Pail	\$383.74
---------------	------------	----------



## FILTER WASH Tablet

A simple to use cleaning tablet specially formulated to penetrate deeply into any reusable filter cartridge and remove the accumulated materials such as suntan lotion and oils, body oil, grease, dirt, soap scum and other organics. This thorough cleaning allows cartridges to return to a high level of original performance without harming the filter. Sold each (30/box).

1 tablet cleans up to 2 filter cartridges.



PLE-PWASH-POOL	Tablet	\$11.29
Quantity Discount 30+		\$9.60

## Filter Flosser

Spend less time, energy and water and maximize the life of your filter with the Filter Flosser deluxe filter cleaner. Filter Flosser features a curved nozzle design and ergonomic grip. Use on any size filter cartridge. 100% aluminum construction.



MIK-60-1000		\$40.68
-------------	--	---------

## **K-2006C Complete Commercial Test Kit**

The K-2006C Complete FAS-DPD test kit accurately tests for Free & Combined Chlorine, Bromine, pH, Acid & Base Demand, Alkalinity, Hardness and Cyanuric Acid. User friendly comparator, and has accurate sanitizer drop ratios. Completely liquid drop test kit with DPD powder for free & combined chlorine. Chlorine test accurate for levels up to 40 PPM. [Kit comes with 2 ounce reagents.](#)

TAY-K-2006C

\$215.12



## **K-1766 Salt Test Kit (Sodium Chloride)**

The K-1766 Salt (Sodium Chloride) test kit is used for accurately testing salt levels. Accurate to 200 PPM. Kit tests for Salt (Sodium Chloride). [Kit comes with .75 oz reagents, test tube and a durable carrying case.](#)

TAY-K-1766

\$39.98



## **K-2042 Monopersulfate Interference Remover**

The K-2042 reagent pack is used for removing monopersulfate interference when testing free and combined chlorine with the K-2006C test kit. Kit removes Monopersulfate Interface. [Kit comes with 2 ounce reagents and a dropper pipet.](#)

TAY-K-2042

\$40.06



## **Replacement Test Solutions** **25% Discount on case quantities of individual 2 oz. reagents (12+)**

TAY-R-0001-C	DPD#1	2 oz.	\$18.55	TAY-R-0013-C	Cyanuric Acid Reagent	2 oz.	\$11.37
TAY-R-0002-C	DPD Reagent #2	2 oz.	\$19.09	TAY-R-0630-C	Chromate Indicator	2 oz.	\$13.32
TAY-R-0003-C	DPD #3	2 oz.	\$20.25	TAY-R-0718-C	Silver Nitrate Reagent	2 oz.	\$71.04
TAY-R-0004-C	pH Solution	2 oz.	\$13.61	TAY-R-0851-C	Iron Reagent #1	2 oz.	\$20.92
TAY-R-0004-D	pH Solution	4 oz.	\$25.11	TAY-R-0852-C	Iron Reagent #2	2 oz.	\$18.08
TAY-R-0004-E	pH Solution	16 oz.	\$38.28	TAY-R-0860-C	Copper Reagent #1	2 oz.	\$18.40
TAY-R-0005-C	Acid Demand Reagent	2 oz.	\$12.98	TAY-R-0861-C	Copper Reagent #2	2 oz.	\$19.66
TAY-R-0006-C	Base Demand Reagent	2 oz.	\$12.44	TAY-R-0867-C	Monopersulfate Remover	2 oz.	\$31.64
TAY-R-0007-C	Thiosulfate N/10	2 oz.	\$11.88	TAY-R-0870-I	DPD Powder	10 g.	\$20.60
TAY-R-0008-C	Total Alkalinity	2 oz.	\$12.51	TAY-R-0870-J	DPD Powder	.25 lb.	\$81.20
TAY-R-0009-C	Sulfuric Acid .12N	2 oz.	\$11.43	TAY-R-0871-C	FAS DPD TIT. Reagent	2 oz.	\$28.76
TAY-R-0010-C	Calcium Buffer	2 oz.	\$14.96	TAY-R-0871-E	FAS DPD TIT. Reagent	16 oz.	\$59.05
TAY-R-0011L-C	Calcium Indicator	2 oz.	\$22.21	TAY-R-0872-C	FAS DPD TIT. Bromine	2 oz.	\$31.46
TAY-R-0012-C	Hardness Reagent	2 oz.	\$13.36	TAY-R-1003J-C	pH Indicator Solution	2 oz.	\$14.99

[Taylor's complete line of test kits, reagents and supplies are available. Call for pricing.](#)

## **Replacement Supplies**

TAY-9056	Chlorine/Bromine/pH Viewer (1)	\$25.20
TAY-9058	pH Viewer only (1)	\$26.22
TAY-9198	Test Tube 10-25 mL (2)	\$12.08
TAY-9191	Squeeze Sample Bottle, Calibrated 7 & 14 mL (3)	\$7.28
TAY-6190	SampleSizer, 10 mL & 25 mL (4)	\$29.52
TAY-9199	Lightbox with adapter, batteries & case	\$211.46
TAY-9265	SpeedStir Magnetic Stirrer (5)	\$61.92





## LaMotte Pool MGR Test Kit

The especially rugged Pool MGR kit series is for the public pool operator. The precise Octa-Slide comparator system is used to comply with regulatory standards. The Pool MGR series includes diagrammed instructions, saturation index calculator, water quality handbook, and the reliable Octa-Slide comparator system - all in a tough, blow-molded carrying case. Kit tests for Free Chlorine, Combined Chlorine, pH, Hardness, Alkalinity and Cyanuric Acid.



LAM-3368-NJ-01 \$201.77

## LaMotte Replacement Test Tablets (100/Box)

LAM-6999A-J	DPD #1	\$14.82	LAM-3920A-J	Total Alkalinity	\$14.82
LAM-6905A-J	DPD #3	\$14.82	LAM-6846A-J	Calcium Hardness	\$14.82
LAM-6915A-J	PH - Phenol Red	\$14.82	LAM-6994A-J	Cyanuric Acid	\$19.05

## LaMotte Replacement Supplies

LAM-3430-01	Chlorine Color Bar 0.5-10.0 ppm	\$58.14	LAM-0106	5/10 mL Test Tube	\$12.34
LAM-3406-01	Bromine Color Bar	\$58.14	LAM-0969	Calibrated Test Tube 60-400 ppm	\$18.11
LAM-3403-01	pH Color Bar 6.8-8.2	\$58.14	LAM-1161	Cyanuric Test Tube	\$37.54
LAM-1101	OCTA-Slide Viewer	\$44.58	LAM-0513	Test Tube Brush	\$12.49
LAM-0688	Water Sample Bottle	\$12.08			



## Pool & Spa Test Strips

1-NAT10081NCM Phosphate Test Strips – 10 Tests per kit \$27.18



## AquaChek Pool & Spa Test Strips

EHC-511244A	4-in-1 Test Strips- Free Chlorine, pH, Alkalinity, Cyanuric Acid (50/bottle)	\$24.63
EHC-512084	Total Dissolved Solids (TDS), Cyanuric Acid, Calcium Hardness Test Strips (25/bottle)	\$30.30
EHC-551236	7-in-1 Test Strips- Total Chlorine/Bromine, Free Chlorine, pH, Total Alkalinity and Cyanuric Acid (100/bottle)	\$56.93
EHC-561140A	Salt Test - 10 Tests per kit	\$24.30
EHC-561682A	Monopersulfate, pH & Alk. Test Strips (50/bottle)	\$19.35
EHC-641426E	Nitrate/Nitrite Test Strips, (25/bottle)	\$27.20
EHC-661454E	Copper Test Strips, (25/bottle)	\$27.38
EHC-661455E	Iron Test Strips, (25/bottle)	\$63.60



# Digital Testing Supplies

## WaterLink SpinTouch est Kit

The innovative WaterLink Spin Touch photometer does all your pool and spa water testing for you wherever you need it. Each sealed reagent disk contains the precise amount of reagent needed to run a complete series of tests in just 30 or 60 seconds. Simply fill a reagent disk with a water sample, place it in the meter, tap "start", and all your vital tests are done automatically, virtually eliminating human error.

LAM-3581	Mobile WaterLink Spin Touch Photometer (disks sold separately)	\$1,582.00
LAM-4329-H	10 Test Parameter Spin Disk, Single Use, 50 Disks (Free & Total Chlorine, Bromine, pH, Calcium Harness, Alkalinity, Cyanuric Acid, Copper, Iron, Salt, & Phosphates)	\$258.50
LAM-4334-H	3 Test Parameter Spin Disk, Three Use, 50 Disks (Free & Total Chlorine, Bromine, & pH)	\$253.00



## ColorQ 2x PRO 7 Test Kits

The ColorQ 2x PRO 7 pool and spa hand-held photometer reads seven test factors directly on a digital display. The ColorQ eliminates the need to visually determine slight color variations or use look-up tables, thus taking the guesswork out of pool side water analysis. Kit tests for Free Chlorine (0-10), Total Chlorine (0-10), Bromine (0-22), pH (6.5-8.5), Alkalinity (0-250), Hardness (0-400), and Cyanuric Acid (0-125). [Choose tablets or liquid reagents!](#)

LAM-2086	ColorQ 2x PRO 7 Liquid Test Kit	\$398.40
LAM-2087	ColorQ 2x TesTabs PRO 7 Tablet Test Kit	\$398.40



## ColorQ PRO & 2X- Replacement Reagents, Test Tablets & Supplies

Replacement Solutions & Tablets			
LAM-P-6740-G	DPD 1A	1 oz.	\$18.10
LAM-P-6741-G	DPD 1B	1 oz.	\$18.10
LAM-P-6743-G	DPD 3	1 oz.	\$22.33
LAM-7037-G	pH	1 oz.	\$22.14
LAM-7039-G	Total Alkalinity	1 oz.	\$26.10
LAM-7042-G	Calcium Hard. 1 Buffer	1 oz.	\$22.44
LAM-7041-G	Calcium Hard. 2 Indicator	1 oz.	\$22.33
LAM-6903A-J	DPD 1 Tablets	100/box	\$40.43
LAM-6197A-J	DPD 3 Tablets	100/box	\$40.43
LAM-3880A-H	pH Tablets	50/box	\$27.91
LAM-3882A-H	Alkalinity Tablets	50/box	\$27.91
LAM-3883A-H	Calcium Tablets	50/box	\$27.83

Replacement Solutions & Tablets			
LAM-3887A-J	Calcium (Q 2X) Tablets	100/box	\$49.28
LAM-3896A-J	Alkalinity (Q 2X) Tablets	100/box	\$49.28
LAM-6996A-H	Cyanuric Tablets	50/box	\$24.94
Replacement Supplies			
LAM-0201	Test Tube - ColorQ	Ea	\$8.66
LAM-0205-NC	Test Tube, No Cap - ColorQ 2X	Ea	\$6.30
LAM-0206-NC	Test Tube, No Cap - ColorQ 2X	Ea	\$3.94
LAM-0484	Caps Only - ColorQ 2X	6 Pack	\$21.67
LAM-0485	Test Tube & Caps - ColorQ 2x	6 Pack	\$45.73
LAM-0514	Test Tube Brush 1/2"	Ea	\$12.86
LAM-0175	Tablet Crusher	Ea	\$7.24
LAM-0689	Sample Bottle, 30mL	Ea	\$11.96

## HM Digital TDS Meters

Affordable electronic TDS Meters. Accurate to 10 ppm. TDS-3 has the added benefit of testing for temperature (Celsius). [Not water proof.](#)

HM-TDSEZ	Handheld TDS Meter	\$30.92
HM-TDS3	Handheld TDS and Temp Meter	\$29.92



## Waterproof Digital Testers

The Hanna Waterproof Testers come with dual-level LCD display, automatic temperature compensation and have replaceable electrode cartridges. Measures pH -2 to 16, ORP ± 1,000 mV and TDS 0 to 2000 ppm.

HAN-98121	pH/ORP/Temp Waterproof Tester	\$340.50
HAN-98311	TDS/Temp Waterproof Tester	\$195.00
HAN-98127	pH/Temp Waterproof Tester	\$177.00



## Ready-to-Mount Digital ORP/pH Controller Systems

The Rola-Chem Ready-to-Mount Digital ORP/pH controller wall systems include a Rola-Chem Digital ORP/pH controller complete with flow cell, flow switch, sample valves, ORP & pH probes, 40' of black 3/8" tubing, 100' of clear feeder tubing, fittings and two Pro Series 300 peristaltic pumps. Complete system factory mounted on a polypropylene mounting board. Select system with appropriate pump feed rates for water volume.

ROL-554502	Ready-to-Mount System with (2) 1 GPD Chemical Pumps	\$3,000.05
ROL-554503	Ready-to-Mount System with (2) 12 GPD Chemical Pumps	\$3,000.05
ROL-554500	Ready-to-Mount System with (2) 38 GPD Chemical Pumps	\$3,000.05
ROL-554508	Ready-to-Mount System with (2) 77 GPD Chemical Pumps	\$3,184.50



## Digital ORP/pH Controller

The Rola-Chem Digital ORP/pH controller is an economical digital control solution for your pool and spa water. The controller comes complete with proportional feed control, digital readouts, built-in safety parameters, blow molded flow cell, safety float switch, ORP & pH sensors, tubing, and is compatible with most chemical feeders.

ROL-554000	Rola-Chem Digital ORP/pH Controller	\$2,184.99
------------	-------------------------------------	------------



## Ready-to-Mount Digital pH/Dual ORP/FAC(ppm) Controller System

The Rola-Chem Ready-to-Mount Digital pH/Dual ORP/FAC(ppm) controller wall system include a Rola-Chem Digital pH/Dual ORP/FAC(ppm) controller complete with flow cell, flow switch, sample valves, ORP & pH probes, 40' of black 3/8" tubing, 100' of clear feeder tubing, fittings and two 38 GPD Pro Series 300 peristaltic pumps. Complete system factory mounted on a polypropylene mounting board. Dual ORP feature allows the use of two sanitizers and is ideal for use with salt chlorine generator systems where a backup sanitizer is recommended or required. The controller comes complete with a Gold Tip ORP Probe.

ROL-555007	Ready-to-Mount System with (2) 38 GPD Chemical Pumps	\$4,021.22
------------	--	------------



## Replacement Sensors/Probes

ROL-550136	Rola-Chem ORP Probe – 1 year warranty	\$257.34
ROL-550135	Rola-Chem pH Probe – 1 year warranty	\$257.34
ROL-550201	Rola-Chem ORP Probe, Gold Tip for Salt Systems	\$342.74



## Accessories

ROL-550089	Probe Gland Fitting 1/2" NPT x Sensor (1)	\$16.32
ROL-550181	Flow Cell- Blow Molded (replacement, without fittings)	\$184.76
ROL-550183	Flow Switch- Float style	\$116.02
ROL-7125190	Shut-Off Valve, 1/4" NPT x 3/8" Tubing (2)	\$19.35
ROL-550054	Shut-Off Valve, 1/4" NPT x 1/4" Tubing (2)	\$19.35
ROL-550591	In-line Flow Cell Strainer Kit- 3/8" Quick Connect (3)	\$78.20



All Rola-Chem OEM parts and accessories available upon request.

## BECSys7 Water Chemistry Controller

The BECSys7 sets a new standard for complete mechanical room control. All of the water chemistry features of the BECSys5 are included, along with fully configurable automatic filter backwash control. The BECSys7 can directly control up to 5 filters standard, expandable up to 16. With BECS' commitment to ongoing development, the BECSys7 is the most advanced control system available in the aquatics market today. Comes standard with integral Gbit Ethernet w/ EZConnect, RS232/USB PC connection port, and can be programmed to send alarm notifications by email and/or text message. Included BECSys for Windows software provides operational data logs, graphs and event calendars. Also includes flow cell, sensors (ph, ORP, Temp), safety flow switch and installation fittings. Gold tip ORP sensor available for salt applications. **5-Year electronics. 2-Year Sensor Warranty.**



BEC-225-OS1GP1XXXRXN	BECSys7 ORP/pH/Temp Controller	Call for Pricing
BEC-225-OS1GP1XXXRBN	BECSys7 ORP/pH/Temp Controller on Backboard	Call for Pricing
BEC-225-XS1GP1XXXPBN	BECSys7 PPM/ORP/pH/Temp Controller with Lighted Flow Cell on Backboard (Includes CP-1 PPM Sensor)	Call for Pricing
BEC-225-OS1GP1XOXPWN	BECSys7 PPM/ORP/pH/Temp Controller with Lighted Flow Cell and four 4-20mA input/outputs on backboard (Includes CP-1 PPM Sensor)	Call for Pricing
BEC-2210402	Free Chlorine (CP-1) PPM Sensor with flow cell	Call for Pricing

[Additional Configurations Available - Please Call](#)

## BECSys5 Water Chemistry Controller

The BECSys5 is a richly featured water chemistry controller, based upon a proven design with years of reliable field performance. While configurable for the most demanding applications, it is still simple to operate with detailed on-screen manuals and help information. Comes standard with integral Gbit Ethernet w/ EZConnect, RS232/USB PC connection port, and can be programmed to send alarm notifications by email and/or text message. Included BECSys for Windows software provides operational data logs, graphs and event calendars. Also includes flow cell, sensors (ph, ORP, Temp), safety flow switch and installation fittings. Gold tip ORP sensor available for salt applications. **5-Year electronics. 2-Year Sensor Warranty.**



BEC-223-OS1GP1XRXX	BECSys5 ORP/pH/Temp Controller	Call for Pricing
BEC-223-OS1GP1XRBX	BECSys5 ORP/pH/Temp Controller on Backboard	Call for Pricing
BEC-223-OS1GS1XRXX	BECSys5 ORP/pH/Temp Controller with Gold Tip ORP Sensor	Call for Pricing
BEC-223-OS1GP1ORXX	BECSys5 ORP/pH/Temp Controller with 4-20mA input/output	Call for Pricing
BEC-2210402	Free Chlorine (CP-1) PPM Sensor with flow cell	Call for Pricing

[Additional Configurations Available - Please Call](#)

## BECSys3 Water Chemistry Controller

The BECSys3 water chemistry controller sets the standard in reliability. The controller features a big bright easy-to-read 2-line display that assures current status can be easily monitored - even across the room. Includes flow cell, sensors (ph, ORP, Temp), safety flow switch and installation fittings. Optional direct free chlorine reading, so sanitizer control can be based upon a true PPM value instead of ORP and optional Remote Communication Module allows remote access through Ethernet or Wireless and notifications via text and/or email. Gold tip ORP sensor available for salt applications. **5-Year electronics. 2-Year Sensor Warranty.**



BEC-256-ONS1NPR1XX	BECSYS3 ORP/pH Controller	Call for Pricing
BEC-256-ONS1TPR1XX	BECSys3 ORP/pH/Temp Controller	Call for Pricing
BEC-256-ONS1TPR1BX	BECSys3 ORP/pH/Temp Controller on Backboard	Call for Pricing
BEC-256-ONS1TPR1BC	BECSys3 ORP/pH/Temp/Ethernet Controller on Backboard	Call for Pricing
BEC-256-ONS1TSR1XX	BECSys3 ORP/pH/Temp Controller with Gold Tip ORP Sensor	Call for Pricing
BEC-267-OS1N1R1XX	BECSys3 PPM/pH/Temp Controller	

[Additional Configurations Available - Please Call](#)



## BECSys2 Water Chemistry Controller

The BECSys2 assures crystal-clear water in a plug-and-play package, complete with flow cell, pH and ORP sensors, flow cell and advanced control algorithms. Standard configuration includes sensors, flow cell and advanced control algorithms. Standard safety features include rotary flow switch, flow restored delay, feed limit timers and visual alarm indicator. [2-Year electronics. 2-Year Sensor Warranty.](#)

BEC-187-ONS1NPX	BECSys2 ORP/pH Controller	Call for Pricing
BEC-187-ONS1TPX	BECSys2 ORP/pH/Temp Controller	Call for Pricing
BEC-187-ONS1TSX	BECSys2 ORP/pH/Temp Controller with Gold Tip ORP Sensor	Call for Pricing
BEC-187-ONS1TPB	BECSys2 ORP/pH/Temp Controller on Backboard	Call for Pricing



## BECSys Total Alkalinity Meter

The BECSys Alkalinity Meter monitors Total Alkalinity (TA) and interfaces to a BECSys7 or BECSys5 to automatically control Total Alkalinity by automatically switching between acid and CO<sup>2</sup> for pH control. Benefits include eliminating bicarb additions to pool, improved water quality, reduced chemical usage, TA readings on BECSys controller, remote alarms and reduced labor. [If adding to BECSys5 or BECSys7, must have Gbit Ethernet board.](#)

BEC-2100418	BECSys Total Alkalinity Meter	Call for Pricing
BEC-8680063	Alkalinity Reagent (64 oz bottle)	Call for Pricing



## Replacement Sensors/Probes

BEC-9660013	BECSys pH Sensor with 36" Cable (1)	Call for Pricing
BEC-9660022	BECSys ORP Sensor with 36" Cable (2)	Call for Pricing
BEC-9660038	BECSys Gold Tip ORP Sensor with 36" Cable	Call for Pricing
BEC-8660016	BECSys Temperature Sensor with 36" Cable (3)	Call for Pricing
BEC-2210457	BECSys Free Chlorine (CP-1) PPM Sensor	Call for Pricing



## Parts & Accessories

BEC-2210770	Molded Flow Cell Upgrade Kit (Rotary Flow Switch)- Includes Molded Flow Cell (2210765) & fittings needed to complete sample stream. (1) <b>Note: The BECS Round Flow Cell has been discontinued &amp; this is the upgrade kit. Some parts from existing round flow cell will be reused on the new Molded Flow Cell upgrade kit</b>	Call for Pricing
BEC-2210765	Molded Flow Cell Kit - Includes Body (8480369), Acrylic Cover (2220784), O-Ring (8061345) & Screws (8061346). (1)	Call for Pricing
BEC-2210766	Sample Stream Kit for Molded Flow Cell- Includes Rotary Flow Switch, Pressure Gauge, Ball Valves, Sample Valve & fittings (Does NOT include Molded Flow Cell Kit (2)	Call for Pricing
BEC-2100419	Rotary Flow Switch (3)	Call for Pricing
BEC-2210550	Rotary Flow Switch Repair Kit (Pin, cover, wheel, O-ring) (4)	Call for Pricing
BEC-2100287	BECSys WiFi Interface Module (5)	Call for Pricing
BEC-236-AXB	BECSys Remote Communication Module (RCM) with bracket	Call for Pricing





# Controllers

## CAT 6000 Wireless Free Chlorine/ORP/pH/TDS/Temp Controller

The CAT 6000 is the industry's most advanced water chemistry controller. With an advanced, intuitive full-color touch screen, CAT 6000 guides you through programming. Innovative sensing technology utilizes a unique feature named "Dynamic Sanitizer Control", allowing for more precise sanitization control than ever before. The CAT 6000 uses innovative solid-state sensing technology for its low-maintenance true free chlorine, temperature, and conductivity sensors. Built-in Wi-Fi and cellular connectivity for remote access offer additional convenience and operational efficiency. Versatile control options including 4-20 mA programmable inputs, flow and level sensing inputs, 2 programmable auxiliary dry-contact outputs 1 programmable powered output and dedicated pH and sanitizer outputs - let you customize your operations and control. [Includes controller, sensors, flow cell, RFS flow sensor, and installation hardware. Wi-Fi access and configuration required.](#)

CAT-PP6000WIFCF	CAT 6000 Wireless Free Chlorine/ORP/pH/TDS/Temp Controller	\$6,430.59
-----------------	--	------------



## CAT 4000 Wireless ORP/pH Controller

The CAT 4000 Wi-Fi is a wireless commercial remote water quality controller. The controller provides picture-perfect water quality on-site and remote monitoring via the Internet or web-enabled mobile device from anywhere in the world. Using the CAT 4000 systems, you can easily log onto PoolComm to activate your wireless account and begin monitoring your water quality. [Includes controller, sensors, flow cell, RFS flow sensor, and installation hardware mounted on a PVC backboard. Wi-Fi access and configuration required.](#)

CAT-PP4000075WIFI	CAT 4000 Wireless Wi-Fi ORP/pH Controller	\$5,359.18
-------------------	---	------------



## CAT 2000 Automated ORP/pH Controller - Professional Package

The powerful microprocessor-based design makes simple science of water chemistry maintenance under even the most challenging conditions. Constantly monitoring pH and sanitizer activity, the CAT 2000 implements chemical dosing in proportion to demand. This proportional feed capability ensures precise water conditioning without overfeeding. [Professional Package includes controller, sensors, flow cell with Rotary Flow Switch and installation hardware mounted on a PVC backboard.](#)

CAT-PP2000	CAT 2000 Professional Package	\$3,713.40
------------	-------------------------------	------------



## Replacement Sensors/Probes

CAT-PRO15-2	CAT pH Sensor/Probe with 24" (2') Cable	\$359.33
CAT-PRO15-10	CAT pH Sensor/Probe with 120" (10') Cable	\$364.62
CAT-PRO25-2	CAT ORP Sensor/Probe with 24" (2') Cable	\$359.33
CAT-PRO25-10	CAT ORP Sensor/Probe with 120" (10') Cable	\$364.62



## CAT Controller Accessories

CAT-20203	Rotary Flow Switch, RFO, 1/4" FPT, w/ cable (1)	\$475.99
GEM-155870	RFS Repair Kit (paddle, o-ring, porcelain guide, cover)	\$64.46
CAT-20272	Flow Cell- Blow Molded (replacement, without fittings)	\$90.98
CAT-20206	Float Style Flow Switch (for Blow Molded flow cell)	\$200.74
CAT-20274	Probe Storage Cap	\$56.48
CAT-20260	LIQUIfit Valve- 1/4" NPT x 3/8" tube connector (2)	\$82.60
FTG-1080002	1/4" Ball Valve, MPT x FPT (3)	\$45.10
FTG-PI011222S	Speedfit Male Connector- 1/4" MPT x 3/8" tubing (4)	\$7.72



All CAT Controllers OEM parts and accessories available upon request.



## Model 250 ORP/pH Digital Controller

The CHEMTROL 250 ORP/pH Digital Controller automatically maintains both sanitizer ORP (oxidation-reduction potential or Redox) and water pH in pools and spas. All operating functions are clearly labeled and accessible from the front panel. Featuring a five-year electronics warranty, it actually pays for itself in one to two years through cost savings in operating and maintenance expenses. Savings continue to accrue from the more efficient use of chemicals, avoiding over and underfeeding, and from lower labor costs for water testing and repairs of damaged equipment. [Includes controller, electrodes, and safety switch.](#) [See accessories for flow cell assembly.](#)

CHEM-CH250	Chemtrol 250 ORP/pH Digital Controller with Switch	\$3,360.00
------------	--	------------



## Model 255 PPM/pH Digital Controller

The CHEMTROL 255 is the only easy-to-use controller offering true Free Chlorine and pH control for pools, spas, cooling towers, industrial water treatment, etc. The new PPM Sensor is a solid state sensor with a selective membrane that provides direct readings of Free Chlorine in water at concentrations ranging from 0.1 to 10 ppm (parts per million) or mg/l (milligrams per liter). Key features include adjustable set-points, adjustable high and low alarms, adjustable overfeed safety timers and adjustable proportional feed control. [Includes controller, electrodes, and safety switch.](#) [See accessories for flow cell assembly.](#)

CHEM-CH255	Chemtrol 255 PPM/pH Digital Controller with Switch	\$5,431.20
------------	--	------------



## PC Controllers

The Chemtrol line of PC Controllers offers a wide range of standard and customizable features and functionality. Some of the available features and options are: Remote duplex control, PPM control, temperature control, TDS control, pump control, filter control, voice communications, remote alarms, and much more. Available base models include: PC2000, PC3000, PC4000, PC5000, PC6000 and the PC7000.

Call for a customized Chemtrol PC Controller Quote.



## Replacement Sensors/Probes

CHEM-ORP	Chemtrol ORP Sensor/Probe with 10' Cord	\$498.96
CHEM-PH	Chemtrol pH Sensor/Probe with 10' Cord	\$439.56
SEN-PH5000	Sensorex Universal pH Sensor/Probe with 10' Cord	\$189.75
SEN-ORP1000	Sensorex Universal ORP Sensor/Probe with 10' Cord	\$293.25
SEN-FC50P	Sensorex 1/2" NPT Electrode Gland (Required when replacing OEM probes with Sensorex)	\$43.50



## Chemtrol Controller Accessories

CHEM-FCA	Flow Cell Assembly without Flow Switch (1)	\$578.16
GEM-155481-10	Rotary Flow Switch (RFS), RFO, 1/2" FTP, 10' cable (2)	\$289.26
GEM-155870	RFS Repair Kit (paddle, o-ring, porcelain guide, cover) (3)	\$64.46
FTG-1078002	1/4" Labcock Valve (4)	\$39.69



All Chemtrol OEM probes, parts and accessories available upon request.



# Controllers

## **PENTAIR IntelliChem Commercial Controller System**

Keep the pH and chlorine levels of your pool in constant balance. The IntelliChem Water Chemistry Controller does it automatically by monitoring your pool's pH and sanitizer levels and delivering just the right amount of chemicals—all without you having to handle any harsh chemicals. Dual sanitization support with standalone ScreenLogic remote PC connectivity. Pre-mounted and pre-wired on 2'x2' plastic backboard. Comes complete with controller, sensors, 2 chemical feeders, flow cell, safety switch, ScreenLogic remote module and backboard.

PEN-522578	IntelliChem Commercial Controller System with 2 Chemical Pumps	\$5,148.52
------------	--	------------



## **PENTAIR Replacement Sensors/Probes**

PEN-522186	pH Sensor, IntelliChem	\$204.78
PEN-522187	ORP Sensor, IntelliChem	\$288.38
PEN-754000440	Flow Switch, IntelliChem	\$149.50
PEN-744000290	Sensor Wire 3ft, pH - IntelliChem	\$85.64
PEN-744000360	Sensor Wire 3ft, ORP - IntelliChem	\$85.64



## **WTC & SPC ORP/pH Controllers**

The Aquasol WTC & SPC model controllers control both chlorine/bromine and pH. They are completely modular units that include a patented flow cell, ORP & pH probes, and all tubing and fittings required for installation. The main circuit module is covered by an exclusive functional lifetime warranty. **Includes controller, flow cell, electrodes, and installation hardware. Safety Pressure Switch sold separately.**

AQU-WTC	Aquasol WTC Controller Package (with LCD displays)	\$2,260.91
AQU-SPC	Aquasol SPC Controller Package (no displays)	\$1,949.06



## **Replacement Sensors/Probes**

AQU-S010	Aquasol ORP Sensor/Probe with 10' Cord	\$210.60
AQU-S020	Aquasol pH Sensor/Probe with 10' Cord	\$189.00
SEN-FC50P	½" NPT Electrode Gland (3)	\$43.50



## **Accessories**

AQU-S030	Aquasol Flow Cell- Complete (Includes fittings) (1)	\$309.42
AQU-M011	Aquasol Safety Pressure Switch, 1 to 6 psi (2)	\$226.80
AQU-M011HP	Aquasol Safety Pressure Switch, 2 to 22 psi (2)	\$256.50

All Aquasol OEM parts and accessories available upon request.





## Pro Series 300 Peristaltic Pumps

The NEW Pro Series 300 Peristaltic Pumps maintain the best of the Rola-Chem Pro Series legacy while improving primary function and simplifying set up. The quality is easily seen in the durable plastic construction that is resistant to chemicals. The Pro Series also has self-priming valve-free pumping that allows no loss of prime due to gassing chemicals or high suction lifts. Timer control adjustments allow for precise metering of chemicals.

ROL-543807	RC-301MC Peristaltic Pump - 1 GPD (1)	\$555.80
ROL-543811	RC-303MC Peristaltic Pump - 12 GPD (2)	\$555.80
ROL-543818	RC-305MC Peristaltic Pump - 38 GPD (2)	\$555.80
ROL-543824	RC-307MC Peristaltic Pump - 77 GPD (2)	\$655.50



## Common Replacement Parts

ROL-523114	Premium Long Peristaltic Tube (RC25/53, 103, 503), Black (1)	\$38.82
ROL-523115	Standard Long Peristaltic Tube (RC25/53, 103, 503), Clear	\$32.31
ROL-523251	Premium Short Peristaltic Tube (RC252), Black (1)	\$32.83
ROL-523250	Standard Short Peristaltic Tube (RC252), Clear	\$27.93
ROL-527158	Brass Injector Fitting, 1/2" MNPT (2)	\$33.57
ROL-527159	Plastic Injector Fitting, 1/2" MNPT	\$33.57
ROL-521160	Inline Check Valve, 3/8" Hose Barb x 3/8" Hose Barb (3)	\$51.67
ROL-521170	Inline Check Valve, 3/8" Hose Barb x 1/4" MNPT(4)	\$56.37
ROL-523400	Roller Assembly, 3 Lobe (Models: RC25/53SC, RC103SC, RC503SC) (5)	\$105.85
ROL-525114	Hose Clamp- Large #8	\$2.52
ROL-520110	Hose Clamp- Small #6	\$2.44
ROL-525113	Brass Injector Seal/Grommet, Black	\$2.14
ROL-TUBE-FT	Clear Tubing 5/16" ID x 7/16" OD, per foot	\$2.24
ROL-TUBE-100FT	Clear Tubing 5/16" ID x 7/16" OD, 100' roll	\$112.00
ROL-523118	Complete Hose Assembly with Tube (RC25/53, 103, 503)	\$57.48
ROL-523252	Complete Hose Assembly with Tube (RC252)	\$74.97
ROL-523110	Ceramic Hose Weight (6)	\$10.74
ROL-520111	Hose Connector, 3/8" Barbed (7)	\$2.81



For all Rola-Chem replacement parts please see page 136.

# Liquid Chemical Feeders

## STENNER PUMPS Peristaltic Chemical Feed Pumps

We offer a complete line of Stenner chemical feeders with output ranges from .2 gallons per day (0.6 liters) to 170 gallons per day (514.8 liters), depending on the model and application. Models are available as fixed output units or with single and dual adjustable outputs. Also available in low or high pressure. They are made of tough, high strength polycarbonate plastic that is resistant to the most corrosive chemicals. All pumps come with mounting bracket, spare tube assembly, injection fitting, 20 feet of tubing, nuts, ferrules, and owner's manual. \* = Feeder Tube Size 1, 2, 3, 4, or 5

STEN-45/85M*-14	Series 45/85, Variable Rate Feed Pump, 1/4" Tubing (1)	\$876.61
STEN-45/85M*-38	Series 45/85, Variable Rate Feed Pump, 3/8" Tubing (1)	\$901.32
STEN-45/85MP*-14	Series 45/85, Fixed Rate Feed Pump, 1/4" Tubing (2)	\$437.41
STEN-45/85MP*-38	Series 45/85, Fixed Rate Feed Pump, 3/8" Tubing (2)	\$472.87
STEN-100***	Series 100, Fixed or Variable Feed, 1/4" or 3/8" Tubing	Call for Pricing
STEN-170***	Series 170, Fixed or Variable Feed, 1/4" or 3/8" Tubing	Call for Pricing



## Selecting your Stenner Pump (Max. Gallons per Day)

Series	Pump Tube Size (Low Pressure 0-25 psi)					Tube Size (High Pressure 26-100 psi)		
	1	2	3	4	5	1	2	7
45	3 GPD	10 GPD	22 GPD	35 GPD	50 GPD	3 GPD	10 GPD	22 GPD
85	5 GPD	17 GPD	40 GPD	60 GPD	85 GPD	5 GPD	17 GPD	40 GPD
100	6 GPD	20 GPD	44 GPD	70 GPD	100 GPD	6 GPD	20 GPD	N/A
170	10 GPD	34 GPD	80 GPD	120 GPD	170 GPD	10 GPD	34 GPD	N/A

## STENNER PUMPS Common Replacement Parts

STEN-P201	#1 Santoprene Pump Tube – Stenner (1)	\$36.81
STEN-P202	#2 Santoprene Pump Tube – Stenner (1)	\$36.81
STEN-P203	#3 Santoprene Pump Tube – Stenner (1)	\$36.81
STEN-P204	#4 Santoprene Pump Tube – Stenner (1)	\$36.81
STEN-P205	#5 Santoprene Pump Tube – Stenner (1)	\$36.81
<b>30% Discount on the purchase of 5 or more of the same size pump tube!</b>		
STEN-AK600	Flow Indicator w/ Bracket– For 1/4" tubing (14)	\$35.57
STEN-AK700	Flow Indicator w/ Bracket– For 3/8" tubing (15)	\$35.57
STEN-QP25*	<b>QuickPro</b> Pump Head, 0-25 psi (* = Tube Size 1,2,3,4 or 5) (2)	\$185.34
STEN-QP500	<b>QuickPro</b> Roller Assembly (2011 - current) (3)	\$66.72
STEN-UC3ASYD	Roller Assembly (before 2011) (4)	\$66.72
STEN-FSK100	<b>Service Kit</b> - Feed Rate Control	\$88.22
STEN-ST114	Suction Line Strainer/Weight – 1/4" (5)	\$37.91
STEN-ST138	Suction Line Strainer/Weight – 3/8" (5)	\$37.91
STEN-UCAK300	Injection Fitting with Nut & Ferrule – 1/4" (6)	\$17.91
STEN-UCDBINJ	Injection Check Valve – 1/4" (7)	\$30.97
STEN-UCINJ38	Injection Check Valve – 3/8" (8)	\$38.30
STEN-MCADPTR	Connecting Nut with 1/4" to 3/8" Adapter (9)	\$11.23
STEN-UCAK100	Connecting Nut 1/4" (10)	\$3.85
STEN-MANUT00	Connecting Nut 3/8" (11)	\$5.43
STEN-MCAK200	Ferrule 1/4", each (pump tube seal, 2 req. for each tube) (12)	\$.25
FTG-HT14OD-N-FT	1/4" OD Hard Tubing – Clear, per foot (13)	\$.71
FTG-HT38OD-N-FT	3/8" OD Hard Tubing – Clear, per foot (13)	\$1.60



For Stenner replacement parts please see page 138.



## STENNER PUMPS Econ T - Timed Dosing Pump

The Econ T is a compact, easy to program pump with flexibility to schedule up to 24 separate events within a 7 day period. Each separate event can run for a minimum of 1 minute to a maximum of 23 hours and 59 minutes within each programmed day. The automatic dosing control is reliable for timed injection of enzymes, sequesterants, clarifiers, algaecides and other maintenance liquid chemicals. All models below are 120V and come with a 6' cord. [Additional options available.](#)



STEN-E10T1F71S	Econ T - Timed Dosing Pump, 0.6 Max. GPD	\$375.50
STEN-E10T2F71S	Econ T - Timed Dosing Pump, 1.3 Max. GPD	\$375.50
STEN-E10T1A71S	Econ T - Timed Dosing Pump, 2.5 Max. GPD	\$375.50
STEN-E10T2A71S	Econ T - Timed Dosing Pump, 5.0 Max. GPD	\$375.50
STEN-E10T2B71S	Econ T - Timed Dosing Pump, 8.5 Max. GPD	\$375.50
STEN-E10T2C71S	Econ T - Timed Dosing Pump, 15.0 Max. GPD	\$375.50

## Blue-White Industries, Ltd. Flex Flow A-100N Series Chemical Feeder

The FLEXFLO A-100N has set the standard by which peristaltic pumps are judged. The STANDARD A-100N is equipped with a Solid State Output Adjustment in one minute, or five second cycles. New and improved pump head provides increased performance and strength. Digital models available.



BLW-A1N20A-4T	8 GPD, 100 PSI Feeder	\$659.57
BLW-A1N10A-6T	16 GPD, 100 PSI Feeder	\$659.57
BLW-A1N20A-6T	24 GPD, 100 PSI Feeder	\$659.57
BLW-A1N30A-6T	30.1 GPD, 75 PSI Feeder	\$659.57
BLW-A1N10A-7T	52.5 GPD, 50 PSI Feeder	\$659.57
BLW-A1N20A-7T	76.1 GPD, 50 PSI Feeder	\$659.57
BLW-A1N30A-7T	95.1 GPD, 50 PSI Feeder	\$659.57

## Blue-White Industries, Ltd. Common Replacement Parts

BLW-A1-4T	New Style #4 Tube Norprene, .25" OD (A100-N Series) (1)	\$64.33
BLW-A1-6T	New Style #6 Tube Norprene, .37" OD (A100-N Series) (1)	\$64.33
BLW-A1-7T	New Style #7 Tube Norprene, .43" OD (A100-N Series) (1)	\$64.33
BLW-72000-550	Retro-Fit Kit- Old Style Head to New Style Head	\$47.25
BLW-71000-159	Roller Assembly (A100-N Series #4 & #6) (2)	\$118.13
BLW-71000-350	Roller Assembly (A100-N Series #7) (2)	\$118.13
BLW-A-014N-6A	Injection Check Valve, .38T (3)	\$64.33
BLW-FI-100-4V	Chemfeed- Flo Indicator - 1/4" tubing (4)	\$69.30
BLW-FI-100-6V	Chemfeed- Flo Indicator - 3/8" tubing (4)	\$69.30
FTG-HT380D-N-FT	3/8" OD Hard Tubing - Clear, per foot (5)	\$1.60

For all Blue-White replacement parts please see page 137.





# Calcium Hypochlorite Feeders



## PowerBase 1030 Calcium Hypochlorite Chlorinator

If you need consistent chlorine delivery in a compact space, look no further! The small, rugged PowerBase 1030 chlorinator is perfect for servicing small to medium sized pools. The PowerBase 1030 comes skid mounted with booster pump and easily installs with two plumbing connections, one electrical connection and one controller connection.

Feed Rate: 67.2 pounds per day

Tablet Storage: 30 pounds

AXI-9500127	PowerBase 1030 Chlorinator	Call for Pricing
-------------	----------------------------	------------------



## PowerBase 3070AT Calcium Hypochlorite Chlorinator

With a balance between space requirements, minimizing maintenance, and, above all, consistent chlorine delivery, this chlorinator is engineered to meet aquatic needs across a broad spectrum of pool sizes and environments. The PowerBase 3070AT comes skid mounted with booster pump and easily installs with two plumbing connections, one electrical connection and one controller connection.

Feed Rate: 244.8 pounds per day

Tablet Storage: 70 pounds

AXI-9500130	PowerBase 3070AT Chlorinator	Call for Pricing
-------------	------------------------------	------------------



## PowerBase 3140AT Calcium Hypochlorite Chlorinator

Engineered to provide consistent chlorine delivery to the larger sized pool while maintaining a small footprint, this chlorinator will meet the needs of most large aquatic facilities. The PowerBase 3140AT comes skid mounted with booster pump and easily installs with two plumbing connections, one electrical connection and one controller connection.

Feed Rate: 528.0 pounds per day

Tablet Storage: 140 pounds

AXI-9500133	PowerBase 3140AT Chlorinator	Call for Pricing
-------------	------------------------------	------------------



## PowerBase 3500 Calcium Hypochlorite Chlorinator

Specifically designed with the largest aquatic facilities in mind, this chlorinator will handle pools with over 3 million gallons of water with precise feed rates and a small footprint. The PowerBase 3500AT comes skid mounted with booster pump and easily installs with two plumbing connections, one electrical connection and one controller connection.

Feed Rate: 873.6 pounds per day

Tablet Storage: 500 pounds

AXI-9500135	PowerBase 3500 Chlorinator	Call for Pricing
-------------	----------------------------	------------------



## Endurance Feeder

The CCH Endurance system is an innovative approach to commercial pool chlorination. With the simplicity of an erosion feeder, the CCH Endurance feeder's streamlined design is easy to install, service and requires minimal operator attention. The CCH slow dissolving tablets add no cyanuric acid for less wasteful drainage. Additional solenoid kits available for connecting to controller systems.

Feed Rate: 7 pounds per day

Tablet Storage: 6.4 lbs

CCH-73100	CCH Endurance Feeder	\$1,103.60
CCH-73119	Solenoid Kit for Controllers with extension cable	\$730.34







A smarter approach to chlorination

### Benefits of the Accu-Tab Chlorinating System:

- Easy to install
- Flexible and Easy-to-Operate System with or without a controller
- Low maintenance
- Contains scale inhibitor for cleaner operation
- Tablets are blue in color to eliminate inadvertent mixing of chemicals



A smarter, safer approach to pH adjustment

### Benefits of the Acid-Rite Water pH Adjustment System:

- Sodium bisulfate tablets
- Enhances chlorine efficacy in water
- Low odor
- Low maintenance
- Controllable adjustment
- Tablets are red in color to eliminate inadvertent mixing of chemicals



# Chemical Feeders



## Acid-Rite® pH Adjustment System

Powered by innovative tablet-erosion technology, the Acid-Rite pH Adjustment System is an effective alternative to bulky liquid acid systems and cumbersome granular bags. The Acid-Rite system provides reliable pH balancing, is easy to install and maintain. Additionally, Acid-Rite tablets, made of sodium bisulfate, have low odor creating a friendlier working environment for pool operators.

AXI-9501111	Acid-Rite 450 pH Adjustment System (pools up to 300,000 gallons)	Call for Pricing
AXI-9501031	Acid-Rite 2500 pH Adjustment System (pools up to 1,000,000 gallons)	Call for Pricing



## Acid-Rite Sodium Bisulfate Acid Tablets

Acid-Rite is a solid chemical tablet made of Sodium Bisulfate acid that provides an extremely effective alternative to standard liquid hydrochloric acid pH adjustment. These red tinted tablets provide low odor and are much safer and easier to handle than the alternatives.

**Warning:** For use only with Acid-Rite Feeder Systems.



1H-ARITE01	45 lb Pail	Market
------------	------------	--------



## Common Replacement Parts

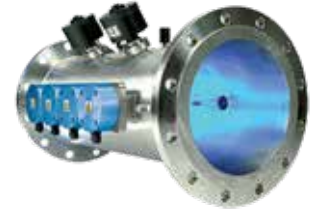
AXI-9500001	1.5" Solenoid Valve	\$606.06	AXI-9500145	Pump Contactor	\$108.50
AXI-9500007	1" Kerrick Float Valve (Valve Only)	\$92.73	AXI-9500201	3" Float Valve Rod	\$8.09
AXI-9500038	6" Float Ball	\$19.30	AXI-9500241	Booster Pump 1.0 HP, Accu-Tab	\$422.64
AXI-9500039	6" Float Valve Rod	\$8.75	AXI-OPCK	Overflow Protection Kit	\$201.79
AXI-9500077	1.5" Check Valve	\$81.10	AXI-R2-120	Liquid Level Control Relay	\$337.02
AXI-9500080	Booster Pump 1.5 HP, Accu-Tab	\$518.46	AXI-S1720C-010	1" Check Valve	\$71.30
AXI-9500084	Level Switch	\$101.64	AXI-SPX1250XZ2C	Hayward Pump Seal for Booster	\$32.48
AXI-9500095	Miller 3/4" Float Valve	\$183.33	AXI-SPX1580Z1	Hayward O-Ring for Booster	\$19.39
AXI-9500144	Prime Line Kit	\$82.67			



## ETS-UV Disinfection Generators

ETS-UV disinfection generators have intelligent control that delivers precise and automatic dosing which is validated for reliable performance for mitigation of harmful pathogens. The ETS-UV generators are medium pressure, multiple lamp, advanced disinfection systems that are easily incorporated as retrofit or new construction applications. The system efficiently delivers a variable and automatic dose for treatment of stable or fluctuating flows. Automatic wipers keep the quartz clean to reduce lamp fouling.

Call for a customized ETS-UV Disinfection Generator Quote.



## Sentry Ultraviolet Light System - Low Pressure

ChlorKing Sentry Aqua Guard UV systems are leading the way to better, safer water. Their unique, forward-thinking design employs high output amalgam technology for better chloramine control and inactivation of chlorine resistant bacteria. Sentry Aqua Guard systems are designed for commercial pools and spas, and they pay for themselves through lower cost of operation and a longer lasting system. [All units come equipped with strainers.](#)

CHL-SAG120A-PVC	120 Watt, 75 GPM Flow Rate, Schedule 80 PVC with 316L Stainless Steel Interior Lining - 2" Unions	\$6,142.50
CHL-SAG240A-PVC	240 Watt, 150 GPM Flow Rate, Schedule 80 PVC with 316L Stainless Steel Interior Lining - 3" Unions	\$7,938.00
CHL-SAG480A-PVC	480 Watt, 350 GPM Flow Rate, Schedule 80 PVC with 316L Stainless Steel Interior Lining - 4" Unions	\$13,702.50
CHL-SAG120-A	120 Watt, 51 GPM Flow Rate, 316L Stainless Steel Chamber - 2" Flanges in U or Z Configuration	\$10,206.00
CHL-SAG240-A	240 Watt, 120 GPM Flow Rate, 316L Stainless Steel Chamber - 3" Flanges in U or Z Configuration	\$12,049.50
CHL-SAG480-A	480 Watt, 350 GPM Flow Rate, 316L Stainless Steel Chamber - 4" Flanges in U or Z Configuration	\$18,333.00
CHL-SAG720-A	720 Watt, 620 GPM Flow Rate, 316L Stainless Steel Chamber - 6" Flanges in U or Z Configuration	\$22,869.00
CHL-SAG960-A	960 Watt, 770 GPM Flow Rate, 316L Stainless Steel Chamber - 6" Flanges in U or Z Configuration	\$25,785.00
CHL-SAG1200-A	1,200 Watt, 1,140 GPM Flow Rate, 316L Stainless Steel Chamber - 8" Flanges in U or Z Configuration	\$32,815.50



## Sentry UV Replacement Parts

CHL-LA120W185	120 Watt Amalgam Replacement Lamp, Each	\$370.00
CHL-KITQSSTD	Quartz Sleeve Replacement Kit	\$90.00
CHL-LA120W185SP	120 Watt Amalgam Replacement Lamp, Each	\$370.00
CHL-KITQSSTDG	Quartz Sleeve Replacement Kit	\$106.00

## PENTAIR BioShield UV Disinfection Sanitizer

BioShield residential sterilizers feature low pressure high output lamps that offer approximately twice the UV output of standard low pressure lamps with the same arc length. UV vessels are built of a UV-resistant, high density polymer with a removable end cap to provide easy internal access. Viewing ports allow visual indication of lamp status. Energy-efficient, high-output UV lamps provide up to 12,000 hours of continuous operation, while using about the same energy of a 60-W light bulb. All models include sealed water-tight power supply with 6' cord and 10' cable to ballast.

PEN-522637	BioShield UV Sanitizer, 120 Watts, 115/230V, 62 GPM, 56" x 5.75" Dimensions, 2" Slip Connections	\$1,647.23
PEN-522638	BioShield UV Sanitizer, 150 Watts, 115V, 100 GPM, 70" x 5.75" Dimensions, 3" Union Connections	\$1,834.90



# Salt Chlorination



## Reverse Polarity Commercial Salt Chlorinators

ChlorKing salt systems eliminate the costs, risks and smell associated with shipping and storing traditional chlorine, and they pay for themselves through lower cost of operation and a longer lasting system. ChlorKing's patented single cell technology ensures the need for only one system for your commercial pool or spa. The ChlorKing salt chlorinators are mounted onto any wall surface in the pump room and is plumbed into the existing pool circulation system. A mild saline solution of between 3,500 – 5,000ppm salt is introduced to the pool and flows through the cell to create hypochlorous acid. Each chlorinator is designed with a single cell that is installed in a bypass stream and the power supply is water cooled for efficient operation.

CHL-CHLOR2.0MSM	2.0 Pounds per Day Chlorination System	\$5,731.50
CHL-CHLOR3.0MSM	3.0 Pounds per Day Chlorination System	\$6,931.50
CHL-CHLOR5.0MSM	6.0 Pounds per Day Chlorination System	\$8,964.00
CHL-CHLOR7.5SM	8.0 Pounds per Day Chlorination System	\$15,313.50
CHL-CHLOR10SM	11.0 Pounds per Day Chlorination System	\$16,357.50
CHL-CHLOR12.5SM	14.0 Pounds per Day Chlorination System	\$17,713.50
CHL-CHLOR15SM	17.0 Pounds per Day Chlorination System	\$23,956.50
CHL-CHLOR20SM	22.0 Pounds per Day Chlorination System	\$26,044.50
CHL-CHLOR25SM	28.0 Pounds per Day Chlorination System	\$28,642.50



## Saline C Series Salt Chlorine Generator

The Saline C 6.0 and Saline C 11.0 NSF certified commercial salt chlorine generators are designed to produce up to 6 lbs or 11lbs of chlorine per day. Utilizing a single, industrial grade, clear cell and power supply, the need for daisy chaining cells has been eliminated, minimizing footprint and cost of installation. The Saline C Generators feature reverse polarity self-cleaning technology, plug and play chemical automation and a 2-year limited warranty.

HAY-HCSC60	6.0 Pounds per Day- Saline C6.0 Salt Chlorine Generator, 120V	\$10,824.70
HAY-HCSC110	11.0 Pounds per Day- Saline C11.0 Salt Chlorine Generator, 120V	\$20,863.50



## IntelliChlor Salt Chlorine Generators

Push-button operation and easy-to-view displays enable fast checking of salt levels, cell cleanliness, sanitizer output, and water flow. Automatic shut-off feature protects the unit and prolongs cell life under low water temperature conditions. Power center required to operate cells.

PEN-520556	IntelliChlor Power Center	\$998.55
PEN-520554	IntelliChlor IC20 Cell - 0.7 Pounds per Day	\$1,556.92
PEN-520555	IntelliChlor IC40 Cell - 1.4 Pounds per Day	\$1,793.54
PEN-521105	IntelliChlor IC60 Cell - 2.0 Pounds per Day	\$2,052.79
PEN-520588	Pass-Through Cell for Winterization and Startup	\$114.24



## iChlor Salt Chlorine Generator

The iChlor Salt Chlorine Generator features smart technology that provides built-in intelligence for unmatched convenience and control. Adjust the sanitizing level in 1% increments from 1-100% to achieve the precise level of chlorine. Indoor or outdoor and vertical or horizontal installation. 115/230V.

PEN-523080	iChlor 15 Salt Generator Bundle with Power Pack, .6 Pounds per Day	\$1,424.77
PEN-523081	iChlor 30 Salt Generator Bundle with Power Center, 1.0 Pounds per Day	\$1,740.13





## AquatiControl Technology CO<sub>2</sub> Feeder

This CO<sub>2</sub> feeder incorporates a time proven design and a state-of-the-art valve to provide a reliable and quality CO<sub>2</sub> feeder at a competitive price. Available in both 0-30 and 20-200 SCFH models these feeders are perfect for any body of water using CO<sub>2</sub> for pH control. The feeder can be coupled with an AquatiControl Technology COS - pH control crossover switch - for the ability to easily and quickly switch between CO<sub>2</sub> and acid feed systems.

ACT-CO2-30	AquatiControl Technology CO <sub>2</sub> Feeder, 4-30 SCFH	\$459.00
ACT-CO2-200	AquatiControl Technology CO <sub>2</sub> Feeder, 20-200 SCFH	\$569.16
ACT-CO2-REG	AquatiControl CO <sub>2</sub> Cylinder Regulator (not included with feeders)	\$340.00



## AquatiControl Technology COS - pH Control Crossover Switch

The COS - pH Control Crossover Switch was specifically designed to be used in applications where both CO<sub>2</sub> and acid are used to control pH. The COS allows for a simple flip of a switch to change from using acid to CO<sub>2</sub>.

ACT-COS-ASSY	AquatiControl Technology COS - pH Crossover Switch	\$171.36
--------------	--	----------



## Neptune-Benson Trident CO<sub>2</sub> Injection System

System is constructed of all corrosion resistant materials and has T316 stainless steel mounting bracket. Includes flow meter with integrated control valve, 110V solenoid control valve, high-quality diffuser with inline PVC check valve and single tank regulator.

NEP-1000-5514	Trident CO <sub>2</sub> Injection System - Single Tank	\$898.22
NEP-1000-5513	Single Tank Regulator (not included with feeder)	\$890.77
NEP-1000-6153	Diffuser Assembly, CO <sub>2</sub>	\$171.25



## PVC Solenoid Valves

Aquasol's PVC solenoid valves are perfect for use with most tablets feeds. All valves come with Viton seals, 120V power cord and tube adapter fittings.

AQU-VAPVC1238	1/2" PVC Solenoid Valve with 3/8" Tube Fittings	\$212.92
AQU-VAPVC1258	1/2" PVC Solenoid Valve with 5/8" Tube Fittings	\$217.07
AQU-VAPVC3458	3/4" PVC Solenoid Valve with 5/8" Tube Fittings	\$244.64



## ASCO RedHat Brass Solenoid Valves

ASCO Series 8210 solenoid valves for general service applications. ASCO Series 8221 slow closing to eliminate water hammer. 2-Way/2-Position, normally closed, 120V or 24V, brass. Rated for air, inert gases and water. All sizes and configurations available.

ASC-8210G002	1/2" ASCO RedHat Solenoid Valve, NC, 120V	\$288.07
ASC-8221G003	1/2" ASCO RedHat Solenoid Valve, NC, Slow Closing, 120V	\$530.50
ASC-8221G003-24V	1/2" ASCO RedHat Solenoid Valve, NC, Slow Closing, 24V	\$530.50
ASC-8210G095	3/4" ASCO RedHat Solenoid Valve, NC, 120V	\$363.31
ASC-8221G005	3/4" ASCO RedHat Solenoid Valve, NC, Slow Closing, 120V	\$543.49
ASC-8221G005-24V	3/4" ASCO RedHat Solenoid Valve, NC, Slow Closing, 24V	\$543.49
ASC-8210G004	1" ASCO RedHat Solenoid Valve, NC, 120V	\$595.39
ASC-8221G007	1" ASCO RedHat Solenoid Valve, NC, Slow Closing, 120V	\$1,057.36
ASC-8221G007-24V	1" ASCO RedHat Solenoid Valve, NC, Slow Closing, 24V	\$1,057.36





# Tablet Chemical Feeders

## **PENTAIR Rainbow Off-Line Automatic Chlorinators & Brominators**

This free standing erosion feeder works on the pressure side of the pump and is to be used with slow dissolving Trichlor tabs or Bromine. Includes an easy to adjust control valve and check valve. Offline units complete with clamps and tubing. One year manufacturer's warranty.

PEN-R171016	#300 Automatic Chlorinator- White	\$197.29
PEN-R171022	#300 Automatic Chlorinator- Clear	\$217.46
PEN-R171066	#300-29 Automatic Chlorinator- White	\$227.19



## **PENTAIR Rainbow In-Line Automatic Chlorinators & Brominators**

This erosion feeder installs directly into the return line of your pool or spa. For use with Bromine or Trichlor tablets. Comes standard for 2" SCH 40 PVC pipe or adapts to 1.5" SCH 40 PVC pipe. Easy to adjust control valve and check valve are included.

PEN-R171096	#320 In-Line Automatic Chlorinator- White	\$218.35
PEN-R171218	#320C In-Line Chlorinator- Clear	\$229.81



## **PENTAIR Rainbow Commercial High Capacity Chlorinators & Brominators**

These larger capacity commercial erosion feeders can hold and dispense large amounts of Trichlor or Bromine. Takes 3" & 1" tabs.

[Model HC-3315: Holds up to 15 lbs. of tablets.](#)

[Model HC-3330: Holds up to 30 lbs. of tablets.](#)

[Model HC-3340: Holds up to 40 lbs. of tablets.](#)

PEN-R171070	#300-29X Commercial Chlorinator (1)	\$324.25
PEN-R171215	HC-3315 High Capacity Chlorinator (2)	\$434.15
PEN-R171230	HC-3330 High Capacity Chlorinator (2)	\$475.50
PEN-R171240	HC-3340 High Capacity Chlorinator (2)	\$498.16



## **Rainbow Common Parts & Accessories**

PEN-R172037	Spa chlorine chamber for small volume feed rates- 1" tabs (1)	\$38.00
PEN-R172276	Flow Indicator (Commercial Models 300-29X)	\$108.84
PEN-R172080Z	Flow Indicator (Model 322 Inline)	\$49.36
PEN-R172086Z	Chlorine Control Valve 1/2" (2)	\$80.19
PEN-R172060Z	Chlorine Control Valve 1/4" (3)	\$38.00
PEN-R172061Z	Check Valve/Elbow Combination	\$10.08
PEN-R172323	Check Valve 1/4" x 1/4" (4)	\$28.70
PEN-R172324	Check Valve 1/2" x 1/2" (4)	\$55.69
PEN-R172009Z	Lid O-Ring	\$11.58
FTG-HT140D-N-FT	1/4" OD Hard Tubing – Clear per foot (5)	\$.71
FTG-HT380D-N-FT	3/8" OD Hard Tubing – Clear per foot (5)	\$1.60
FTG-HT120D-N-FT	1/2" OD Hard Tubing – Clear per foot (5)	\$2.29

[For all Rainbow Feeder replacement parts please see pages 134 & 135.](#)



## **Preform-Max In-Line and Off-Line Chemical Feeders**

Perform-Max Feeders bring you the best in bulk chlorine or bromine feeding. No other bulk feeder offers erosion technology with exact metering capabilities.

KGT-01-05-0940	940 In-Line Chemical Feeder (2" x 2")	\$290.73
KGT-01-05-0960	960 Off-Line Chemical Feeder	\$366.17



## PENTAIR EQ Series Plastic Commercial Pump with Strainer

The Pentair EQ Series plastic commercial pump is a drop-in replacement for the C Series Pump and features Nema premium grade efficiency motors, commercial grade non-corrosive Plastic Parts for durability and long life, Cam and Ramp see through lid, self-priming with hair and lint strainer, compatible with variable frequency drives, is light weight, and has easy cleaning and serviceability. All pumps come with standard 6x4 inch ports. Available with out strainer and in additional configurations. [Additional configurations available.](#)



PEN-340030	EQ-500 – <b>5 HP</b> - 230V - Single Phase ODP Motor (A)	\$7,922.44
PEN-340032	EQ-750 – <b>7½ HP</b> - 230V - Single Phase ODP Motor (B)	\$8,280.02
PEN-340238	EQ-1000 – <b>10 HP</b> - 230V - Single Phase ODP Motor (C)	\$9,048.62
PEN-340604	EQKT-500 – <b>5 HP</b> - 208-230/460V - 3 Phase TEFC Motor (D)	\$8,083.41
PEN-340605	EQKT-750 – <b>7½ HP</b> - 208-230/460V - 3 Phase TEFC Motor (E)	\$8,432.49
PEN-340606	EQKT-1000 – <b>10 HP</b> - 208-230/460V - 3 Phase TEFC Motor (F)	\$9,394.57
PEN-340607	EQKT-1500 – <b>15 HP</b> - 208-230/460V - 3 Phase TEFC Motor (G)	\$9,811.40

## PENTAIR EQ Series Plastic Commercial Pump without Strainer

The same as above, but without the strainer included. All pumps come with standard 6x4 inch ports. [Additional configurations available.](#)

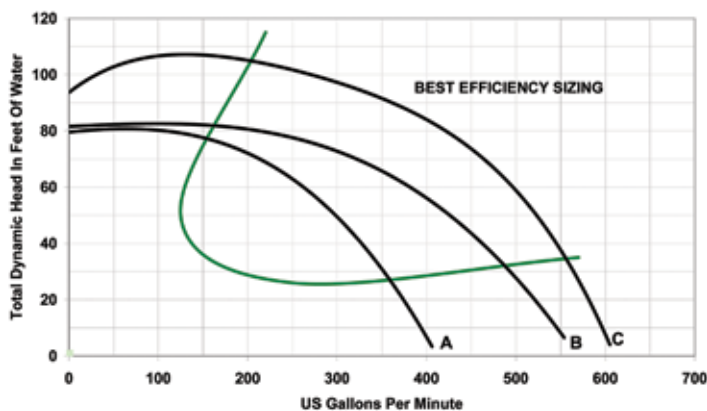


PEN-340019	EQ-500 – <b>5 HP</b> - 230V - Single Phase ODP Motor (A)	\$7,085.43
PEN-340021	EQ-750 – <b>7½ HP</b> - 230V - Single Phase ODP Motor (B)	\$7,487.57
PEN-340237	EQ-1000 – <b>10 HP</b> - 230V - Single Phase ODP Motor (C)	\$8,596.70
PEN-340608	EQKT-500 – <b>5 HP</b> - 208-230/460V - 3 Phase TEFC Motor (D)	\$7,207.54
PEN-340609	EQKT-750 – <b>7½ HP</b> - 208-230/460V - 3 Phase TEFC Motor (E)	\$8,396.30
PEN-340610	EQKT-1000 – <b>10 HP</b> - 208-230/460V - 3 Phase TEFC Motor (F)	\$8,518.72
PEN-340611	EQKT-1500 – <b>15 HP</b> - 208-230/460V - 3 Phase TEFC Motor (G)	\$8,937.53

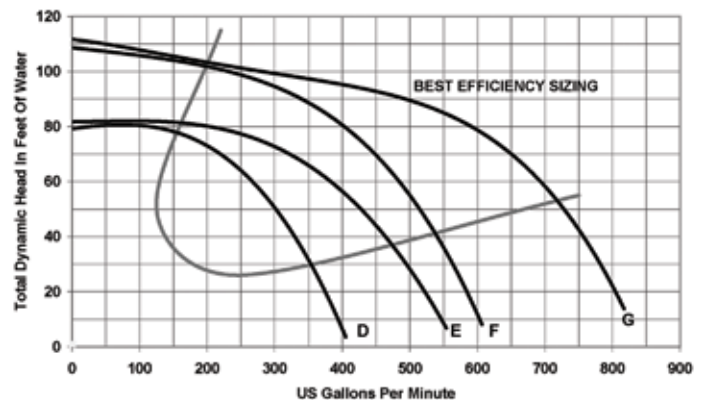
## PENTAIR EQ Series Common Replacement Parts

PEN-357184	Strainer Basket Replacement, EQ Series	\$316.40
PEN-350166	Strainer Lid Gasket Replacement, EQ Series	\$35.06
PEN-071725S	Shaft Seal Set, C-7, PS-360	\$77.91
PEN-356750	Strainer Lid, EQ Series	\$616.62

Pentair Pool Products  
EQ Series Performance Curves



Pentair Pool Products  
EQK Series Performance Curves



[See pages 146-158 for select pump part breakdowns.](#)

[See pages 43-44 for replacement seals, motors and bearings.](#)

## **PENTAIR IntelliFlo3 VSF Pool Pumps**

The IntelliFlo3 Variable Speed and Flow Pool Pump sets the new bar for performance with built-in sensorless flow control for effortless optimum flow, and aids in keeping the pool crystal clear and inviting, no matter what it requires. Proprietary flow technology maintains the pool's optimum flow. New motor, drive, and hydraulics. Department of Energy (DOE) compliant. Easy control via the Pentair Home app or optional touchscreen. 3-Year manufacture warranty.

PEN-011075	IntelliFlo3 - <b>3.0 THP</b> , 208-230V, 1-Phase	\$2,515.98
PEN-011065	IntelliFlo3 - <b>1.5 THP</b> , 115/208-230V, 1-Phase	\$1,849.98
PEN-356159Z	Universal Touchscreen for IntelliFlo3 VSF Pumps	\$400.16
PEN-356365Z	Universal Relay Board Kit for IntelliFlo3 VSF Pumps	\$238.95



## **PENTAIR WhisperFloXF VSF Variable Speed Pump**

The WhisperFloXF VS Commercial Pump is the first five-horsepower variable-speed pool pump that runs on single-phase or three-phase power. It's an economical, combined motor-drive solution for many applications. The WhisperFloXF VS Commercial Pump provides sophisticated, energy-saving pump technology without the high costs typically associated with independent pump/external drive setups. It features an integrated 5HP motor-drive, external control capability through automation systems or relays, intuitive programming and operation, and a 2 year manufacture warranty. When connected to an external 4-20mA flowmeter, this pump is capable of maintaining a constant flow based on the needs of your pool system.

PEN-022035	WhisperFloXF VS- <b>3.95 THP</b> , 208-230/277-460V single-phase; 208-460V three-phase	\$4,289.78
PEN-356324Z	External Control Wiring Kit (to connect external 4-20mA flowmeters)	\$114.98



## **PENTAIR WhisperFlo VST Variable Speed Pool Pump**

The WhisperFlo® VST Variable Speed Pool Pump is available now to keep pools running smoothly. This durable pump offers more power than SuperFlo® VST Pool Pump. And your energy bill will appreciate the upgrade, too. It features variable speed technology for great energy savings, is a drop-in replacement for existing Pentair WhisperFlo pumps, and user-friendly programming lets you pick the best speed for your pool. 2-Year manufacture warranty.

PEN-011533	WhisperFlo VST - <b>2.6 THP</b> , 115/208-230, 1-Phase	\$2,219.98
------------	--	------------



## **PENTAIR IntelliFlo VS+SVRS Variable Speed Pump**

The IntelliFlo VS+SVRS pump models were the first swimming pool pumps to feature a built-in Safety Vacuum Release System that detects drain blockage and automatically shuts the pump off. SVRS complies with Virginia Graeme Baker Safety Act. Features include priming protection, so no SVRS calibrations needed and built-in SVRS cannot be turned off, and built-in diagnostics protect the IntelliFlo pump from the most common causes of premature failure – overheating, freezing, and voltage irregularities. 2-Year manufacturer warranty.

PEN-011057	IntelliFlo VS+SVRS Variable Speed Pump, 230V, <b>3 HP</b> , 1PH (Includes built-in SVRS)	\$3,144.98
------------	--	------------



## **TRADEGRADE**

Pentair "Trade Grade" products purchased Online are limited to a 60 day warranty.

[See pages 146-158 for select pump part breakdowns.](#)

[See pages 43-44 for replacement seals, motors and bearings.](#)



## **PENTAIR SuperFlo VST Variable Speed Pool Pump**

The SuperFlo VST Variable Speed Pool Pump features sophisticated technology in a simple to operate pump. Designed for pool owners who are practical and like to save, the SuperFlo VST pump has a dependable and robust Totally Enclosed Fan Cooled motor and can adapt to 115V to 230V and 50hz or 60hz power with no special wiring or switching. 2-Year manufacture warranty.

PEN-342002	SuperFlo VST Pool Pump, 115/230V, <b>2.2 THP</b> , 1PH	\$1,899.98
------------	--	------------



**TRADEGRADE**

## **PENTAIR WhisperFloXF High Performance Pumps**

Developed using the most advanced engineering tools available. Hydraulic isolator separates priming water from pumping water for faster priming, more turbulent-free flow and increased efficiency. Drop-in replacement for all WhisperFlo pump models. Simple replacement for Challenger pumps with optional riser base. Union connectors included for connecting directly to 2½" or 3" plumbing. [Available in additional configurations.](#)

PEN-022034	<b>5 HP</b> - 208-230V - Single Phase TEFC Motor - 2½"/3" Ports	\$3,889.62
PEN-022017	<b>2 HP</b> - 208-230/460V - 3 Phase TEFC Motor - 2½"/3" Ports	\$2,095.84
PEN-022018	<b>3 HP</b> - 208-230/460V - 3 Phase TEFC Motor - 2½"/3" Ports	\$2,362.44
PEN-022019	<b>5 HP</b> - 208-230/460V - 3 Phase TEFC Motor - 2½"/3" Ports	\$3,739.07
PEN-400012	XF Riser Base- Simplifies installation for direct replacement of Pentair Challenger Pumps	\$101.50



**TRADEGRADE**

## **PENTAIR WhisperFlo High Performance Pumps**

Robust thermoplastic with the Cam & Ramp "see thru" lid design. Self-priming, high flow with Funnel-Flo diffusers. 2" suction and discharge ports. Motor features threaded shaft and durable commercial duty 56 frame motor with NEMA Rated square flange. Heavy-duty and durable construction is designed for long life. [Available in additional configurations.](#)

PEN-011641	<b>1 HP</b> -208-230/460V – 3 Phase TEFC Motor	\$1,466.54
PEN-011642	<b>1½ HP</b> - 208-230/460V – 3 Phase TEFC Motor	\$1,610.82
PEN-011643	<b>2 HP</b> - 208-230/460V – 3 Phase TEFC Motor	\$1,894.16
PEN-011644	<b>3 HP</b> - 208-230/460V – 3 Phase TEFC Motor	\$2,316.98



**TRADEGRADE**

## **HAYWARD HCP 3000 Commercial VS Pump**

HCP 3000 Series pumps are unmatched in performance and versatility, in the 3in class. Totally Enclosed Fan Cooled motor (TEFC) on all models, chemical-resistant Viton® seal for long-term durability, oversized strainer basket reduces maintenance, and remote mountable strainer housing for increased versatility and adaptability. 1 year limited warranty.

HAY-HCP3020VSP	HCP 3000 Series Pump- 2.7 HP, 230V Variable Speed	<del>\$3,284.20</del>
----------------	---	-----------------------

**On Sale !!! - While supplies last \$1,903.51**



## **HAYWARD HCP 2500 EcoStar Commercial VS - SVRS Pump**

HCP 2500 EcoStar C Series is the most energy-efficient 2.7 HP commercial pool pump. Its advanced hydraulic design moves water more efficiently while operating at lower RPM's - as a result, minimizing noise and saving up to 90% on energy costs. Features VGB compliant integrated SVRS, featuring automatic restart, Totally Enclosed Fan Cooled Motor (TEFC), and multi-position digital control interface can be detached and wall mounted. 1 year limited warranty.

HAY-HCP3400VSPVR	HCP 2500 Ecostar C Series w/ SVRS- 3.0HP, 230V Variable Speed	<del>\$2,936.65</del>
------------------	---	-----------------------

**On Sale !!! - While supplies last \$2,120.91**



[See pages 146-158 for select pump part breakdowns.](#)

[See pages 43-44 for replacement seals, motors and bearings.](#)

## PENTAIR Aurora 340 Series Commercial Single Stage End Suction Pumps

Variety is the answer to the demand on pumps in a custom aquatic feature and interchangeable standards and options makes the 340 Series the pump to configure. Capacities can be customized to 2500 G.P.M., heads up to 100 feet and temperature ranges to 106°F. These single stage end suction pumps are the work horse of an energy efficient sparkling aquatic facility. [Ships FOB factory.](#)



Available in many sizes and configurations.  
[Please call for pricing.](#)

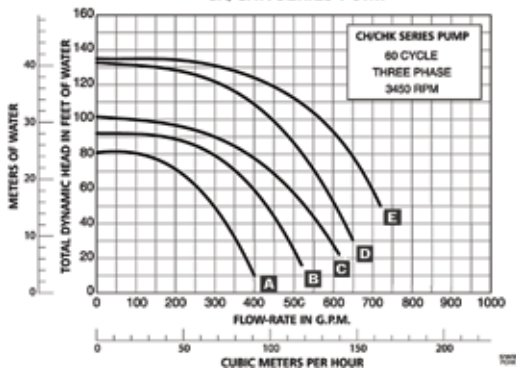
## PENTAIR C Series Bronze Commercial Pumps with Strainer

The C Series pump is a heavy-duty pump specifically designed for large pools, fountains and water attractions that demand high flow rates and continuous operation. With bronze construction and a stainless steel strainer basket, the C Series pump is perfect for the toughest indoor or outdoor projects. This pump's lasting efficiency, quiet operation, easy maintenance and durability has set the standard for medium- and high-head performance in the pool industry for many years. [Available without strainer and in additional voltages.](#)

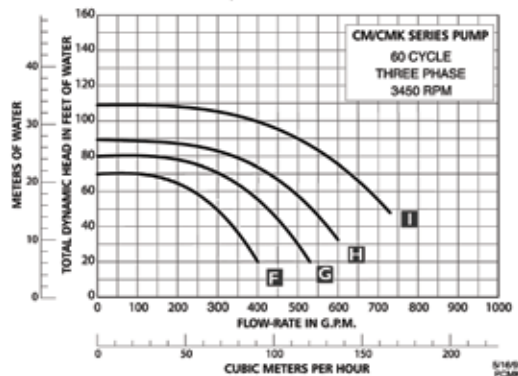


PEN-011651	CM-50 - <b>5 HP</b> - Med. Head - 230V - Single Phase Motor	\$10,910.57
PEN-011656	CH-50 - <b>5 HP</b> - High Head - 230V - Single Phase Motor	\$10,910.57
PEN-011657	CHK-50 - <b>5 HP</b> - High Head - 220/440V - Three Phase Motor	\$10,386.01
PEN-011658	CHK-75 - <b>7½ HP</b> - High Head - 220/440V - Three Phase Motor	\$10,631.38
PEN-011659	CHK-100 - <b>10 HP</b> - High Head - 220/440V - Three Phase Motor	\$11,897.52
PEN-011660	CHK-150 - <b>15 HP</b> - High Head - 220/440V - Three Phase Motor	\$12,625.08
PEN-011661	CHK-200 - <b>20 HP</b> - High Head - 220/440V - Three Phase Motor	\$15,265.59

PUMP PERFORMANCE CURVE  
CH/CHK SERIES PUMP



PUMP PERFORMANCE CURVE  
CM/CMK SERIES PUMP



## PENTAIR C Series Common Replacement Parts

PEN-072795	Strainer Basket Replacement, C Series	\$578.37
PEN-071433	Strainer Lid Gasket Replacement, C Series	\$14.88
PEN-071725S	Shaft Seal Set, C-7, PS-360	\$77.91
PEN-075275	Strainer Cover Replacement, Bronze	\$1,143.54
PEN-075280	Hand Nut Assembly, Bronze, 2 required	\$197.08

[See pages 146-158 for select pump part breakdowns.](#)

[See pages 43-44 for replacement seals, motors and bearings.](#)

## PENTAIR J Series Booster Pump

High head centrifugal pump with a cast iron volute and Noryl impeller for maximum performance. Designed to "boost" pool water pressure for gas and tablet chlorinators. [Ships FOB factory.](#)

PEN-JHC-61HL	<b>1/2 HP</b> - 115/230V, Single Phase, 1¼" x 1" ports	\$926.37
PEN-JHD-62HL	<b>3/4 HP</b> - 115/230V, Single Phase, 1¼" x 1" ports	\$1,009.08
PEN-JHE-63HL	<b>1 HP</b> - 115/230V, Single Phase, 1¼" x 1" ports	\$1,028.78
PEN-JHF-51HL	<b>1½ HP</b> - 115/230V, Single Phase, 1¼" x 1" ports	\$1,134.34
PEN-JHG-52HL	<b>2 HP</b> - 115/230V, Single Phase, 1½" x 1¼" ports	\$1,411.30
PEN-JHC3-61H	<b>1/2 HP</b> - 208-230/460V, Three Phase, 1¼" x 1" ports	\$956.75
PEN-JHD3-62H	<b>3/4 HP</b> - 208-230/460V, Three Phase, 1¼" x 1" ports	\$1,009.00
PEN-JHE3-63H	<b>1 HP</b> - 208-230/460V, Three Phase, 1¼" x 1" ports	\$1,107.96
PEN-JHF3-51H	<b>1½ HP</b> - 208-230/460V, Three Phase, 1¼" x 1" ports	\$1,220.10
PEN-JHG3-52H	<b>2 HP</b> - 208-230/460V, Three Phase, 1½" x 1¼" ports	\$1,547.62



## Little **GIANT** Submersible Pump

The Eliminator submersible pump from Little Giant is specifically engineered to handle the tough demanding tasks for effluent and pool waste transfer with high efficiency and long term dependability. Handles liquids and solid waste materials up to ¾" diameter. 52 GPM at 5' of head. 115V with 30' of cord. Comes with automatic shut-off float switch. Use to drain pool or transfer water quickly.

LGI-509808	Little Giant Submersible Pump - 115V	\$521.04
------------	--------------------------------------	----------



## Super-Pro<sup>®</sup> Automatic Pool Cover Pump

Removes accumulating rain or melting snow. Suitable for use on all types of pools and pool covers. Specifically designed to safeguard and protect any winter cover or safety cover. Pumps over 1,700 gallons of water per hour. Durable glass-filled polypropylene pump housing. 1/3 HP, 270 watts, 115 volts. 25 ft cord.

SPG-577305	Super Pro Automatic Pool Cover Pump - 115V	\$246.53
------------	--	----------



See pages 146-158 for select pump part breakdowns.

See pages 43-44 for replacement seals, motors and bearings.



# Pump Strainers & VFDs



## Fiberglass Strainers

Wide selection of non-metallic basket strainers for aquatics, general water, and industrial applications. The standard, ISO 9000-certified strainers feature a unique seamless casted design that can be further customized with advanced options such as integral access ports and FTP stands. [Ships FOB factory.](#)

Available in any size and configuration.

[Please call for pricing.](#)



## Guardian Fiberglass and Stainless Steel Strainers

All Guardian strainers feature clear acrylic lids for easy viewing during operation, large easy-grip hand knobs that make lid removal a snap, and full face gaskets to ensure a watertight seal. Choose from solid fiberglass or powder-coated stainless steel. Stainless steel powder-coated basket makes cleaning easy. Custom sizes available. [Ships FOB factory.](#)

Available in any size and configuration.

[Please call for pricing.](#)



## Paddock Offset Basket Strainer

Paddock strainers are designed for superior flow and less pressure drop by off setting the strainer basket. This feature allows larger volumes of effluent water to the pump even under heavy basket loading from debris. Paddock strainers are fabricated from Type 304 1/8" thick stainless steel material and coated with epoxy paint. [Ships FOB factory.](#)

Available in any size and configuration.

[Please call for pricing.](#)



## MERMADE Commercial Fiberglass Strainers

Mermade strainers are fiberglass reinforced plastic construction, pressure tested to 50 PSI. Features include isophthalic fiberglass resin, quick opening latches, see through lid, 316 stainless steel v-wire basket with 3/8" square holes and 62% open area. Strainers are supplied with flanged connections drilled to 150 lb. ANSI standard. Custom sizes available. [Ships FOB factory.](#)

Available in any size and configuration.

[Please call for pricing.](#)



## PENTAIR Acu Drive XS Variable Frequency Drive (VFD)

Specified to save energy, space, costs and time, the Acu Drive XS is built to be the heart of the pump room. Minimal payback time due to energy savings and equipped with a unique feature which continuously displays the time remaining until the drive pays for itself. Running a pump with a VFD has the added benefit of extending equipment life, reducing cavitation and eliminating water hammer.

Available for almost any pump application.

[Please call for pricing.](#)



## Series FR-F800 Variable Frequency Drive (VFD)

The advanced specifications of the F800 optimize 3-phase motor control, saving energy and increasing reliability and safety for virtually all applications. NEMA 1 enclosure, large selection of sizes and voltage. 1-year manufacturer's warranty.

Available for almost any pump application

[Please call for pricing.](#)





## GO-KITS - Pump Seal Replacement Kits

Complete seal replacement kits for most swimming pool pump systems. Each kit includes a motor seal, lid seal, and any other seal and o-rings used in a pump. It is recommended to replace all seals when breaking down a pump for any reason. GO-KITS make this simple and affordable.

HPS-GOKITWFXF	Pump- Pentair IntellifloXF & WhisperfloXF Series (OEM Parts)	\$112.88
ALL-GOKIT1001C	Pump- Pentair EQ Series	\$116.92
ALL-GOKIT2V	Pump- Hayward Super Pump II – Series 3000-3000X- Viton	\$72.44
ALL-GOKIT3V	Pump- Hayward Super Pump – Series 1600, 2600, 2600X- Viton	\$59.28
ALL-GOKIT5V	Pump- Pentair Challenger- Viton	\$69.60
ALL-GOKIT6	Pump- Sta-Rite P2RA & P2R DuraGlas/MaxiGlas- EPDM	\$50.16
ALL-GOKIT14	Pump- Jacuzzi Magnum- EPDM	\$63.00
ALL-GOKIT15	Pump- Jacuzzi R & RC Series- EPDM	\$67.08
ALL-GOKIT20	Pump- American Ultra Flo & Bronze- EPDM	\$55.84
ALL-GOKIT22	Pump- Pac-Fab Hydropump- EPDM	\$52.40
ALL-GOKIT25	Pump- Sta-Rite Series PE, PEA, P2R, & P2RA/AJ, DuraGlas/MaxiGlas (before '98)- EPDM	\$46.80
ALL-GOKIT32V	Pump- Pentair WhisperFlo, IntelliFlo, VSI - Viton	\$55.12
ALL-GOKIT38V	Pump- Sta-Rite P4E, P4EA, MaxiGlas II, DuraGlas II (before '98)- Viton	\$62.64
ALL-GOKIT47	Pump- Sta-Rite DynaGlas/DynaMax, J Series- EPDM	\$48.28
ALL-GOKIT78V	Pump- Pentair SuperFlo, SuperMax - Viton	\$57.76
ALL-GOKIT79V	Pump- Sta-Rite Max-E Pro - Viton	\$47.28



## Pump/Motor Shaft Seals

Pump/Motor seals contain the water in the pump and prevent intrusion into the motor. Please refer to your pump manual or pump breakdown to select the proper seal. Viton seals are much more durable in aggressive water (highly recommended in salt pools). When installing a pump/motor seal make sure to put the rubber with porcelain half into the motor seal plate and the plastic end of the spring seal towards the porcelain.

ALL-PSR100V	Viton Seal (AS100) Sta-Rite 5/8"	\$25.38
ALL-PSR200V	Viton Seal (AS200) Swimquip-Challenger	\$25.38
ALL-PSR201V	Viton Seal (AS201) Swimquip-Hydropump-Hayward 1600	\$28.92
ALL-PSR1000V	Viton Seal (AS1000) Swimrite/Sta-Rite 5/8"	\$25.38
ALL-AS201	Swimquip-Hydropump-Jacuzzi 3/4"	\$17.40
ALL-AS501	Purex Aquatron	\$16.65
ALL-AS2131	Aqua-Flo Flo-Master & Tub-Master - #91049000	\$18.50
ALL-AS4702	Hayward – SP1500KA	\$15.15



## Motor Bearings

Please check existing motor bearings before ordering.

ALL-6202	Motor Bearing (15mm ID, 35mm OD)	\$13.20
ALL-6203	Motor Bearing (17mm ID, 40mm OD)	\$14.50
ALL-6204	Motor Bearing (20mm ID, 47mm OD)	\$19.25
ALL-6303	Motor Bearing (17mm ID, 47mm OD)	\$16.15
ALL-6304	Motor Bearing (20mm ID, 52mm OD)	\$16.15



See pages 146-158 for select pump part breakdowns.



# Replacement Pump Motors

## AC Smith Replacement Pump Motors

### Square Flange - Threaded Shaft - 48Y Frame

Item #	HP	S.F.	Voltage	Phase	Full/Up Rated	Notes	Price
GOU-SQ1072	.75	1.65	115/230	1	F	Sta-Rite: Max-E-Pro,	\$382.45
GOU-SQ1102	1.0	1.65	115/230	1	F	Dura-Glas, Max-E-Glas,	\$443.12
GOU-SQ1152	1.5	1.47	208-230	1	F**	Dura-Glas II, Max-E-Glass II, Dyna-Glas +	\$570.59
GOU-SQ1202	2.0	1.30	230	1	F**	Various others	\$706.31
GOU-SQ1302V1	3.0	1.15	230	1	F**		\$873.85



Square Flange 48Y

### Threaded Shaft - 56J Frame

Item #	HP	S.F.	Voltage	Phase	Full/Up Rated	Notes	Price
GOU-B127	.75	1.50	115/230	1	F	Hayward:	\$371.11
GOU-B128	1.0	1.40	115/230	1	F	• Superpump	\$424.60
GOU-B129	1.5	1.30	115/230	1	F	• Super II	\$574.69
GOU-B130	2.0	1.20	230	1	F	• Max-Flo	\$674.39
GOU-B131	3.0	1.15	230	1	F	+ Various Others	\$944.79
GOU-USN1102	1.0	1.00	115/230	1	U**	Hayward:	\$590.02
GOU-USN1152	1.5	1.00	115/230	1	U**	• Northstar	\$645.35
GOU-USN1202	2.0	1.00	115/230	1	U**	+ Various Others	\$720.53
GOU-H705V1	2.0	1.20	208-230/460	3	F	Various	\$795.25



Threaded Shaft 56J

\*\* Energy Efficient Motor

### Square Flange - Threaded Shaft - 56Y Frame

Item #	HP	S.F.	Voltage	Phase	Full/Up Rated	Notes	Price
GOU-B2847V1	.75	1.65	115/230	1	F	Pentair/Pac-Fab:	\$388.58
GOU-B2842	1.5	1.47	208-230	1	F**	• Challenger	\$618.98
GOU-B2843	2.0	1.30	208-230	1	F**	• Whisperflo	\$743.27
GOU-B2844	3.0	1.15	208-230	1	F**	• Superflo	\$873.85
GOU-B2841V1	1.0	1.65	208-230	1	F**	+ Various Others	\$489.38
GOU-B2852	.75	1.25	115/230	1	U		\$340.31
GOU-B2853V1	1.0	1.25	115/230	1	U		\$388.58
GOU-B2854V1	1.5	1.10	115/230	1	U		\$451.35
GOU-B2855	2.0	1.10	230	1	U		\$579.83
GOU-H635	1.0	1.65	208-230/460	3	F		\$560.49
GOU-H636	1.5	1.47	208-230/460	3	F		\$711.50
GOU-H637	2.0	1.30	208-230/460	3	F		\$862.47
GOU-H755	3.0	1.15	208-230/460	3	F		\$928.68



Square Flange 56Y



Complete motor selection available - Please call for assistance.

See pages 146-158 for select pump part breakdowns.

## Fuji Electric Commercial Air Blowers

FUJ-VFC400P-5T	1.0 HP, Single Phase, 115/230V Air Blower	\$1,095.04
FUJ-VFC401A-7W	1.4 HP, 3 Phase, 208-230/460V Air Blower	\$916.70
FUJ-VFC508P-2T	2.5 HP, Single Phase, 230V Air Blower	\$1,390.10
FUJ-VFZ501A-7W	2.9 HP, 3 Phase, 208-230/460V Air Blower	\$1,167.41
FUJ-VFY-024A	Intake Muffler	\$239.31



## AMETEK Commercial Air Blowers

AME-037778	1 HP, Single Phase, 115/230V (DR404AG58M)	\$2,398.40
AME-037406	1 HP, 3 Phase, 230/460V (DR404AL72M)	\$2,320.00
AME-080480	1½ HP, 3 Phase, 230/460V (DR454R72M)	\$2,563.20
AME-080485	1½ HP, Single Phase, 115/230V (DR454V58M)	\$2,417.60
AME-037935	2 HP, Single Phase, 115/230V (DR505AW58M)	\$3,024.00
AME-037543	2 HP, 3 Phase, 230/460V (DR505AS72M)	\$2,830.40



## Jandy Spa Air Blowers

The Jandy Air Blower is every bit as powerful as it is quiet. You can enjoy the soothing effects of powerful, invigorating bubbles in your spa without excess equipment noise. [Note: 1 year limited manufacture warranty will not be honored on commercial applications.](#)

APX-PSB210	Blower 1 HP 240V Bottom Mount	\$419.65
APX-PSB215	Blower 1 ½ HP 240V Bottom Mount	\$475.44
APX-PSB220	Blower 2 HP 240V Bottom Mount	\$508.86



See page 66 for spa timers and accessories.

# Sand Filters

## PENTAIR Triton II Sand Filters

The original and still the industry standard. Patented GlasLok process creates a one-piece, fiberglass reinforced tank with UV resistant surface finish for years of unequalled strength and durability. This unique method locks in fiberglass, preventing fibers from “blooming” under harsh conditions. Heavy-duty closure provides easy inspection, and features an easy-to-read pressure gauge with air relief valve. Swing-away diffuser allows instant access to sand and all internal parts. All internal parts are threaded for ease of service. Includes internal air bleed. Bulkhead connectors are threaded for easy installation and service. Combination sand and water drain makes servicing and winterizing fast and easy. Maximum operating pressure 50 psi. Commercial version features multiple diverters for increased filtration rates in commercial applications up to 20 GPM/Sq. Ft. C-3 features standard 3” flange connections.



**TR100C Model**  


PEN-140236	TR40 – 19” Diameter; 1.92 sq. ft.	\$970.98
PEN-140264	TR60 – 24” Diameter; 3.14 sq. ft.	\$1,498.29
PEN-140210	TR100 – 30” Diameter; 4.91 sq. ft.	\$1,909.64
PEN-140243	TR140 – 36” Diameter; 7.06 sq. ft.	\$2,718.60
PEN-140315	TR100C Commercial – 30” Diameter; 4.91 sq. ft.	\$2,030.85
PEN-140316	TR140C Commercial – 36” Diameter; 7.06 sq. ft.	\$2,932.25

Product Number	Model Number	Tank Diameter (inches)	Filter Area sq. ft.	Weight (lbs)	Filter Media All Sand	Filter Media (Combination)	
						Pea Gravel	Sand
PEN-140236	TR40	19 inches	1.92	25	175 lbs	50 lbs	125 lbs
PEN-140264	TR60	24 inches	3.14	39	325 lbs	75 lbs	275 lbs
PEN-140210	TR100	30 inches	4.91	39	600 lbs	150 lbs	450 lbs
PEN-140243	TR140	36 inches	7.06	89	925 lbs	275 lbs	650 lbs
PEN-140315	TR100C	30 inches	4.91	65	600 lbs	150 lbs	450 lbs
PEN-140316	TR140C	36 inches	7.06	82	925 lbs	275 lbs	650 lbs

## PENTAIR Triton Common Replacement Parts

Filter Model:	Item #	Description	Price
TR40/50/60	PEN-152290Z	Lateral 6-11/16” (8 Required)	\$15.64
TR100/100HD/100C	PEN-152202Z	Lateral 9-1/8” (8 Required)	\$17.35
TR140/140C	PEN-154540Z	Lateral 10-1/2” (8 Required)	\$31.46
TR40/50/60	PEN-154763	Hub Assembly	\$48.13
TR100/100HD/100C/140/140C	PEN-154453	Hub Assembly	\$161.12
TR40/50/60/100/100HD/140	PEN-154493	Lid O-ring, original	\$11.06
TR100C/140C	PEN-152509Z	Lid O-ring	\$15.30
TR40/50/60/100/100HD/140/100C/140C	PEN-154714Z	Bulkhead Assembly Kit	\$213.18
TR40/50/60/100/100HD/140	PEN-154687	Air Relief Assembly	\$73.95
TR100C/140C	PEN-261003	Air Relief Assembly	\$165.98
TR40/50/60/100/100HD/140/100C/140C	PEN-154578	Air Relief Strainer- ¼” (before 2000)	\$21.29
TR40/50/60/100/100HD/140/100C/140C	PEN-150035	Air Relief Strainer- 3/8” (after 2000)	\$14.47

[See page 50 for filter valves.](#)

[See pages 142-145 for select filter breakdowns.](#)



## **WATERCO** HRV & SM Series Commercial Sand Filters

The Waterco HRV fiberglass filters embody the latest in fiberglass winding technology. They are constructed from anti-corrosive, nontoxic materials and are engineered to withstand the high flow and pressures of today's pool systems. The HRV filters feature an 8-lateral under-drain for optimal backwashing and filtering performance and a 10-year tank & 1-year part warranty.

WTC-22207248	HRV 24" Diameter Tank, 3.10 sq. ft. filter area, 300 lbs media	\$927.75
WTC-22207308	HRV 30" Diameter Tank, 4.91 sq. ft. filter area, 500 lbs media	\$1,103.04
WTC-22207368	HRV 36" Diameter Tank, 7.07 sq. ft. filter area, 800 lbs media	\$1,469.18
WTC-22001054801NA	SM 42" Diameter Tank, 9.30 sq. ft. filter area, 2,000 lbs media	\$3,886.27
WTC-22001204801NA	SM 48" Diameter Tank, 12.18 sq. ft. filter area, 2,250 lbs media	\$4,935.56



## **WATERCO** MPV Side Mount Filter Valves

The Waterco MPV side mount filter valves are designed to be durable, easy to use and come pre-plumbed to easily attach to side mount HRV & SM Series sand filters. 1-year warranty.

WTC-2290590	Waterco 2" MPV Filter Valve (fits 24" - 36" HRV Filters)	\$247.24
WTC-2290820	Waterco 3" MPV Filter Valve (fits 42" & 48" SM Filters)	\$715.74



## **WATERCO** Horizontal & Vertical Commercial Sand Filters

Micron fiberglass filters embody the latest in fiberglass winding technology. Waterco's digitally controlled filament winding machine faultlessly winds continuous strands of high quality fiberglass filament under controlled tension to create a seamless one-piece vessel with refined consistency and superior quality. There are no welds or seams or special tank linings which can corrode.

Waterco has vastly improved the hydraulic efficiency in its horizontal filter lateral system by looping its horizontal filter's distributors and laterals. The looped lateral system reduces backwash run times, saves water and produces a flatter more uniform filter media bed after backwashing.

Waterco stocks a huge variety of NSF Certified horizontal, vertical and deep bed filter tanks to fit almost any application.

[Call for information and pricing.](#)



## **Neptune-Benson** Horizontal High Rate Commercial Sand Filters

Neptune-Benson Horizontal Fiberglass High Rate Sand Filters are engineered to the highest standards for strength to maximize long term performance and operational integrity. Designed with superior materials including all vinyl ester resin, schedule 80 PVC internal parts and solid fiberglass flange connections. Features include 14"x18" access man-ways, 15 year warranty, unlimited sizes and configurations and automatic backwash programming options. Saddle base design allows for stacking in filter rooms to optimize use of available space. Horizontal configuration also available in carbon steel or stainless steel construction.

[Call for information and pricing.](#)



[See page 50 for filter valves.](#)

[See pages 142-145 for select filter breakdowns.](#)



# Regenerative & DE Filters



## Regenerative Media Filter

The Defender filter is simply the most efficient filtration system available today. The Defender filter virtually eliminates the tremendous amount of backwash water associated with sand filter operation. Instead of reverse flushing, as with a sand filter, Defender simply discharges the spent media directly to waste and is recharged from time to time. The dramatic reduction of backwash waste directly translates to savings in make-up water along with chemicals and fuel for re-heating. Removes particles down to 1 micron. Neptune-Benson's commitment to LEED principles pre-dates the creation of this formalized rating system. Improving the health and safety of aquatic environments has always been at the heart of what Neptune Benson does. Defender has contributed to numerous projects to achieve LEED certification. See [www.defenderfilter.com](http://www.defenderfilter.com) for complete information.



## Defender FP-Series Regenerative Media Filter

Introducing the newest Defender regenerative media filter, the FP-Series, designed to deliver maximum performance for swim schools, health clubs and other small to medium size commercial aquatics venues committed to providing their guests with exceptional water quality and the lowest operational costs. Constructed from corrosion-resistant fiberglass (FRP), the filter features Neptune-Benson's patent pending PowerBump System and has operating flow rates of 107-300 GPM. See [www.defenderfilter.com](http://www.defenderfilter.com) for complete information.



Call to see if a Defender is right for your facility.

## PENTAIR Quad DE Filter

Quad D.E. Filters combine the finest filtration available for the most sparkling clear water with the convenience and easy-cleaning features usually found only in a cartridge filter. Four easily accessible and removable D.E. cartridges simplify maintenance and save time.

PEN-188592	Model Quad 60 D.E. Filter – 60 sq. ft. filter area	\$1,792.85
PEN-188593	Model Quad 80 D.E. Filter – 80 sq. ft. filter area	\$2,318.57



## System III D.E. Filter

Sta-Rite's System III Diatomaceous Earth filters combine greater cycle times, minimized maintenance, and Sta-Rite's superior grid system to give you the finest D.E. filter available. Less cleaning is needed with the straight grid design giving you more cleaning surface. The split tank design allows for convenient access for cleaning or changing filter media. Designed for safety, the use of Posi-Lok clamps enables safe, easy access to filter. Durable, lightweight and corrosion resistant Dura-Glas exterior.

PEN-S7D75	System III Series, 37 sq. ft. filter area	\$1,652.20
PEN-S8D110	System III Series, 53 sq. ft. filter area	\$1,911.10



## WATERCO MultiCyclone Pre-filter

The MultiCyclone is a revolutionary device designed to greatly reduce filter backwashing, maintenance, chemical use, and disinfection byproducts by capturing particulate before it reaches the filter. The MultiCyclone works on the basis of centrifugal water filtration. There are no moving parts to wear and tear, and no filter media to clean or replace. Simply open the purge valve periodically to discharge particulate.

WTC-200370	MultiCyclone Pre-filter, 120 GPM Max Flow Rate	\$395.90
WTC-200392	MultiCyclone XL 70 Prefilter, 396 GPM Max Flow Rate	\$3,284.61



See page 50 for filter valves.

See pages 142-145 for select filter breakdowns.

# Regenerative Media Filters

## The Evolution of Water Filtration

Fresh, clean water is a common necessity in every corner of the world. We use it for drinking, bathing, food preparation, manufacturing, recreation and much, much more. With the need for clean water comes the need for water filtration. Water filtration has long been done using sand filtration. It is an easy and relatively inexpensive method for filtering water and has been used for thousands of years.

### Pool Filtration

Approximately 60 years ago, swimming pool filters were composed of alternating layers of sand and gravel. In order to provide a significant filter area, these filters were extremely large. The filters would be backwashed every one to two weeks, disposing a significant volume of water to the municipal waste line. While these filters of yesteryear were effective, they became impractical as innovation led to more compact and efficient designs.

### High-Rate Sand Filters

Today, the sand and gravel filters have been replaced with high-rate sand filters. The modernized version uses a single layer of fine sand and requires about 15% of the space required by the original sand and gravel filters. Although the high-rate sand filters are more compact and cost effective, they waste around 40% more water because of the need to be backwashed more often. In addition, the previous sand and gravel filters were more efficient at trapping smaller particles because the pressure in the high-rate sand filter forces smaller particles through the sand and back into the pool.

### Diatomite Filters

Later, Diatomite filters (D.E.) were introduced and offered significantly improved performance relative to traditional sand filtration. The D.E. filters replaced the permanent sand media with diatomaceous earth and it was applied to internal filter elements at the beginning of every cycle and removed with the backwash water at the end of the cycle. The D.E. filters posed operational drawbacks associated with handling and disposal of the media, pushing for a safer and more environmentally friendly product.

### Regenerative Media Filters

Regenerative Media Filters (RMF's) are a more efficient alternative to sand or D.E. filtration. RMF's such as the Neptune Benson's Defender® use up to 90% less water, take up a quarter of the space, and use less energy than traditional sand filters. Regenerative media filters are also more effective at removing contaminants. The Defender is able to remove particles as small as 1 micron from water while traditional sand filters generally only remove particles in the 20 micron range.

Neptune Benson developed the Defender Regenerative Media Filter to provide a safe, non-hazardous filter which uses perlite media for the clearest, cleanest and safest water. Our automated system offers worry free operation and significant water savings. We invite you to explore all of the benefits of the Defender.





# Sand & DE Filter Valves

## **PENTAIR** Multiport and Slide Valves

PEN-261050	2" High Flow Valve – Sand (1)	\$363.78
PEN-261142	2" High Flow Valve – D.E. (1)	\$363.78
PEN-261173	1 ½" Multiport Valve [SM10]– Sand (2)	\$296.40
PEN-261055	2" Multiport Valve [SM20]– Sand (2)	\$417.99
PEN-261177	1 ½" Multiport Valve [SM20]– D.E. (2)	\$296.40
PEN-263080	FullFloXF Backwash Valve Kit (3)	\$366.08
PEN-261124	1 ½" Top Mounted Valve TA- V-Thread (4)	\$302.40



## **HAYWARD** Multiport Valves

HAY-SPX0710X32	6 Position Valve for S200 & S240 (1)	\$413.45
HAY-SP0715X62	2" Multiport Valve for Sand (1)	\$446.05
HAY-SP0710XALL	1 ½" Vari-Flo 710 Multiport Valve (2)	\$266.40
HAY-SP0715ALL	2" Vari-Flo 715 Multiport Valve (2)	\$382.70



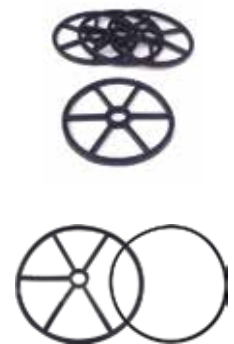
## **PRAHER VALVES** 3" Multiport Valve

PRA-SM30AOB	PRAHER 3" Multiport Valve, Side Mount, ABS	\$1,110.78
-------------	--	------------



## Common Replacement Multiport Valve Gasket (Spider Gasket) & Cover O-Rings

PEN-272409	Valve Gasket- Pentair <b>2" High Flow</b> Valve	\$58.44
PEN-271104	Valve Gasket- Various Pentair Model <b>SM10-3</b> , 1 ½" Valve	\$39.74
PEN-271103	Cover O-Ring- Various Pentair Model <b>SM10-3</b> , 1 ½" Valve	\$23.51
PEN-271148Z	Valve Gasket- Various Pentair Model <b>SM20-3</b> , 2" Valve	\$48.18
PEN-271151	Cover O-Ring- Various Pentair Model <b>SM20-3</b> , 2" Valve	\$28.93
HAY-SPX0710XD	Valve Gasket- Hayward Model <b>710</b> , 1 ½" Valve	\$33.41
HAY-SPX0715D	Valve Gasket- Hayward Model <b>715</b> , 2" Valve	\$51.18
HAY-SPX0715Z1	Cover O-Ring- Hayward Model <b>715</b> , 2" Valve	\$24.15
PRA-E-12-S3	Valve Gasket- Praher Model <b>SM30</b> , 3" Valve	\$114.87
PRA-E-7-S3	Cover O-Ring- Praher Model <b>SM30</b> , 3" Valve	\$45.93
WTC-621260	Valve Gasket- Waterco 2" Multiport Valve	\$66.63
WTC-621272	Valve Gasket- Waterco 3" Multiport Valve	\$89.62
WTC-621460	Valve Gasket- Waterco 1.5" Multiport Valve	\$65.09



## GO-KITS - Valve Seal Replacement Kits

ALL-GOKIT10	Valve Seal Kit - Hayward #710x/712 (after 1976) Multiport	\$70.14
ALL-GOKIT39	Valve Seal Kit - Hayward #715 Multiport	\$63.60
ALL-GOKIT69	Valve Seal Kit - Pentair 1.5" Multiport SM-10	\$33.42
ALL-GOKIT70	Valve Seal Kit - Pentair 2" Multiport SM-20	\$43.68



See pages 139-141 for select filter valve breakdowns.



## System:3 Modular Media Filters - SM Series

Sta-Rite's modular media concept incorporates the latest in media science, integral manifold design, and perfectly balanced flow to create ultra-capacity filtration. It holds 50 times more dirt than a sand filter. Less cleaning needed because the cartridge gathers and holds more dirt so you clean less often. The split tank design allows for convenient access for cleaning or changing filter cartridges.

PEN-S7M120	System:3 Series, 300 sq. ft. filter area	\$1,920.24
PEN-S8M150	System:3 Series, 450 sq. ft. filter area	\$2,393.13

### Replacement Cartridges

PEN-170145	Replacement Modular Media Filter Cartridge Pack (Inner 100 Sq Ft & Outer 200 Sq Ft) for S7M120	\$602.82
PEN-170147	Replacement Modular Media Filter Cartridge Pack (Inner 191 Sq Ft & Outer 259 Sq Ft) for S8M150	\$979.56



## System:2 Modular Media Filters - PLM Series

Sta-Rite's modular media concept incorporates the latest in media science, integral manifold design, and perfectly balanced flow to create ultra-capacity filtration. Made of thermoplastic, corrosion resistant materials that stand up in hot or cold weather. Easy to open Posi-Lok ring allows fast and easy access to cartridges. One piece filter makes seasonal cleaning a snap.

PEN-PLM100	System:2 Series, 100 sq. ft. filter area	\$1,031.92
PEN-PLM150	System:2 Series, 150 sq. ft. filter area	\$1,182.06

### Replacement Cartridges

PEN-27002-0100S	100 sq. ft. Cartridge for PLM100	\$367.08
PEN-27002-0150S	150 sq. ft. Cartridge for PLM150	\$512.21



## PENTAIR Clean & Clear Cartridge Filter

Features a chemical resistant tank with no-tool servicing and coreless cartridge for easier cleaning. All models equipped with easy spin-on unions for plumbing hook-ups, a high flow manual air relief valve, one inch drain and wash out and lock ring with spring-loaded safety latches.

PFB-160315	CC 75 Clean & Clear, 75 sq. ft. filter area	\$689.81
PFB-160316	CC 100 Clean & Clear, 100 sq. ft. filter area	\$928.77
PFB-160317	CC 150 Clean & Clear, 150 sq. ft. filter area	\$1,156.97
PFB-160318	CC 200 Clean & Clear, 200 sq. ft. filter area	\$1,354.88



## PENTAIR Clean & Clear Plus Cartridge Filter

Clean & Clear Plus Filters have a corrosion resistant injection molded filter tank featuring superior strength and reliability. The cartridge assembly uses four easy to clean, non-woven, polyester cartridges. Each filter is supplied with a bulkhead union set for easy installation.

PFB-160340	CCP320 – Clean & Clear Plus Cartridge, 320 sq. ft.	\$1,844.83
PFB-160301	CCP420 – Clean & Clear Plus Cartridge, 420 sq. ft.	\$2,054.49
PFB-160332	CCP520 – Clean & Clear Plus Cartridge, 520 sq. ft.	\$2,543.31

### Replacement Cartridges

UNI-C-7470	80 sq. ft. Cartridge for CCP320 – 4 required	\$123.48
UNI-C-7471	105 sq. ft. Cartridge for CCP420 – 4 required	\$151.64
UNI-C-7472	125 sq. ft. Cartridge for CCP 520 – 4 required	\$173.77



See pages 142-145 for select filter breakdowns.



# Filter Media

## Filter Sand

Abrasive red flint sand for use in high rate sand filters and rapid rate filters. Specially formulated to aid in the removal of fine particulate and minerals. .45-.55 mm. 60 bags per pallet.

50 lbs = 1/2 cubic foot



1H-FIL11	50 lb Bag	\$18.73
----------	-----------	---------

10% Discount on 60+ Bags  
 15% Discount on 240+ Bags  
 25% Discount on 480+ Bags

## Pea Gravel

For use in conjunction with Filter Sand in some high rate sand filters. Used to protect the filter laterals. 1/4"-1/8". 56 bags per pallet.

50 lbs = 1/2 cubic foot



1H-FIL13	50 lb Bag	\$19.78
----------	-----------	---------

10% Discount on 56+ Bags



## Glass Filter Media

Finely crushed recycled glass for pool, industrial, and environmental filtration that provides outstanding water clarity and quality - a direct replacement for sand or ZEOLite in both freshwater and saltwater pools.

75 lbs = 1 cubic foot



ECO-GLS	50 lb Bag	\$54.52
---------	-----------	---------

## Celatom Diatomaceous Earth - D.E. Powder

A premium swimming pool filter Diatomaceous Earth powder that ensures the finest filtering qualities for sparkling clean water. Packaged in two sizes for convenient use. 36 bags per pallet.

SHIPPING RESTRICTION: 50 lb Bags of D.E. can only be shipped via Horizon Truck, Freight, Will Call or Courier. Not able to be shipped via UPS or similar carriers. 25 lb Box can be shipped via any method.

Approximately 1.25 lbs per 10 sq ft of filter area



1H-DIA01	25 lb Box	\$58.34
----------	-----------	---------

1H-DIA02	50 lb Bag	\$66.60
----------	-----------	---------

15% Discount on 36+ Bags



## Perlite Filter Media

CelaPerl is a lightweight Perlite filter media suitable for use in all diatomaceous earth (D.E.) filters. Lightweight bags make it easier for all to use, all natural, non-toxic product, and removes particles down to 4.0 microns. Superior to D.E. in removing dirt and oils. 36 bags per pallet.

SHIPPING RESTRICTION: 25 lb Bags of Perlite can only be shipped via Horizon Truck, Freight, Will Call or Courier. Not able to be shipped via UPS or similar carrier.

Approximately 1.25 lbs per 20 sq ft of filter area



1H-DIA11	25 lb Bag	\$52.11
----------	-----------	---------

25% Discount on 36+ Bags



## Unicel® Universal Replacement Cartridges

We stock a complete line of Unicel replacement cartridges for your cartridge filter. Unicel cartridges provide reduced cost and outstanding quality. We also carry a full line of OEM cartridges. This is a list of the most common cartridges. [For additional sizes or hard to find cartridges please call.](#)

UNI-C-4325	Hayward- C225 – 25 sq. ft.	\$34.13
UNI-C-7656	Hayward- C500 – 50 sq. ft.	\$83.55
UNI-C-7676	Hayward- C750 – 75 sq. ft.	\$112.70
UNI-C-8409	Hayward- C900 8 1/16" x 17 3/8" – 90 sq. ft.	\$126.67
UNI-C-8412	Hayward- C1200RE – 120 sq. ft.	\$158.21
UNI-C-8417	Hayward- C1750 – 8 1/16" x 28 3/16" – 175 sq. ft.	\$237.05
UNI-C-8600	Hayward- C800 – 75 sq. ft.	\$120.86
UNI-C-8610	Hayward- C1100 – 100 sq. ft.	\$153.97
UNI-C-7447	Sta-Rite- PRC-50 7" x 14 1/16" – 50 sq. ft.	\$90.97
UNI-UHD-SR35	Sta-Rite- Posi-Flo 35 sq. ft.	\$80.77
UNI-UHD-SR50	Sta-Rite- Posi-Flo 50 sq. ft.	\$99.99
UNI-UHD-SR70	Sta-Rite- Posi-Flo 70 sq. ft.	\$121.41
UNI-UHD-SR100	Sta-Rite- Posi-Flo 100 sq. ft.	\$159.56
UNI-UHD-SR135	Sta-Rite- Posi-Flo 135 sq. ft. – TX135	\$199.90
UNI-UHD-SR137	Sta-Rite- Posi-Flo 135 sq. ft. – PTM135	\$199.90
UNI-C-7470	Pac-Fab- Clean & Clear Plus- 7" x 20" – 80 sq. ft.	\$123.48
UNI-C-7471	Pac-Fab- Clean & Clear Plus- 7" x 26" – 105 sq. ft.	\$151.64
UNI-C-7472	Pac-Fab- Clean & Clear Plus- 7" x 32 1/16" – 125 sq. ft.	\$173.77
UNI-C-7498	Pac-Fab- Clean & Clear- 7" x 26" – 125 sq. ft.	\$174.52
UNI-C-7660	Pac-Fab- MA/MY 60-60 GPM	\$91.33
UNI-C-7680	Pentair- MA/MY 80-80 GPM	\$117.89
UNI-C-7699	Pentair- MA/MY 100-100 GPM	\$135.00



Complete replacement cartridge selection available - Please call for assistance.

## Filter Flosser

Spend less time, energy and water and maximize the life of your filter with the Filter Flosser deluxe filter cleaner. Filter Flosser features a curved nozzle design and ergonomic grip. Use on any size filter cartridge. 100% aluminum construction.



MIK-60-1000		\$40.68
-------------	--	---------



## FILTER WASH Tablet

A simple to use cleaning tablet specially formulated to penetrate deeply into any reusable filter cartridge and remove the accumulated materials such as suntan lotion and oils, body oil, grease, dirt, soap scum and other organics. This thorough cleaning allows cartridges to return to a high level of original performance without harming the filter. Sold each (30/box).

1 tablet cleans up to 2 filter cartridges.



PLE-PWASH-POOL	Tablet, Ea	\$11.29
Quantity Discount 30+		\$9.60

## GLB Filter Cleanse

A multi-purpose granular formulation that cleans and unclogs filters from grease, oils and scale. Use with any type of filter (sand, cartridge or D.E. filters). Filter Cleanse unique chemistry will gradually change from red to yellow as it cleans.

Dilution: 1 pound per 5 gallons of water.



1-GLB71006	2 lb Bottle	\$38.08
------------	-------------	---------



# Gas Heaters

## Raypak Commercial Gas Pool & Spa Heaters - ASME Certified

Raypak offers a complete line of gas heaters to fit almost every application. These commercial units meet the ASME pressure vessel requirements demanded by code for commercial installations over 200,000 BTUH and are certified to the ANSI Z21.56 pool heater standard. New design features bronze headers, all-copper-fin-tube heat exchanger, condensation protection, and PolyTuf textured powder coating. Flow rates up to 125 GPM. [See raypak.com](http://raypak.com) for complete information.

RAY-BR206E*AX	206,000 BTU, *Natural(017399)/Propane(017411), Cupro-Nickel	\$4,950.00
RAY-BR266E*AX	266,000 BTU, *Natural(017400)/Propane(017412), Cupro-Nickel	\$5,396.00
RAY-BR336E*AX	336,000 BTU, *Natural(017401)/Propane(017413), Cupro-Nickel	\$5,884.00
RAY-BR406E*AX	406,000 BTU, *Natural(017402)/Propane(017414), Cupro-Nickel	\$6,490.00
RAY-BR206AE*C	206,000 BTU, *Natural(017371)/Propane(017383), Copper	\$4,584.00
RAY-BR266AE*C	266,000 BTU, *Natural(017372)/Propane(017384), Copper	\$5,028.00
RAY-BR336AE*C	336,000 BTU, *Natural(017373)/Propane(017385), Copper	\$5,526.00
RAY-BR406AE*C	406,000 BTU, *Natural(017374)/Propane(017386), Copper	\$6,126.00



## Raypak Professional X94 Condensing Digital Gas Pool Heater

The Professional X94 High-Efficiency Gas Heater from Raypak Inc. has an input rate of 399kBTU, stainless steel ASME heat exchanger, sealed combustion, direct vent and digital controls. It's designed and built for commercial use to allow close nesting for multi unit installations. It can be vented with 4-inch PVC, CPVC, polypropylene pipe or stainless steel vent material. The X94 is rated at 94% efficiency, which is particularly helpful for commercial or high-end pools or properties. Flow rates up to 125 GPM. [See raypak.com](http://raypak.com) for complete information.

RAY-SR410E*	410,000 BTU Professional X94, *Natural(014280)/Propane(014281)	\$13,741.65
-------------	--	-------------



## Raypak Residential Gas Pool & Spa Heaters

The Raypak residential **Millivolt** gas heater comes with one mechanical thermostat. This control allows you to set your pool or spa temperature precisely at your favorite setting. The Raypak residential **Digital** gas heater comes with a microprocessor based thermostat control. This control allows you to set your pool or spa temperature precisely at your favorite setting just by pressing an up or down temperature control button. Polymer headers & all copper fin-tube heat exchangers. Optional upgrade to the more durable Cupro-nickel heat exchanger. [See raypak.com](http://raypak.com) for complete information.

RAY-PR206AM*C	206,000 BTU, *Natural(009192)/Propane(009200), Millivolt	\$3,906.00
RAY-PR266AM*C	266,000 BTU, *Natural(009193)/Propane(009201), Millivolt	\$4,302.00
RAY-PR336AM*C	336,000 BTU, *Natural(009194)/Propane(009202), Millivolt	\$4,886.00
RAY-PR406AM*C	406,000 BTU, *Natural(009195)/Propane(009203), Millivolt	\$5,550.00
RAY-PR206AE*C	206,000 BTU, *Natural(009216)/Propane(009224), Digital	\$3,808.00
RAY-PR266AE*C	266,000 BTU, *Natural(009217)/Propane(009225), Digital	\$4,144.00
RAY-PR336AE*C	336,000 BTU, *Natural(009218)/Propane(009226), Digital	\$4,670.00
RAY-PR406AE*C	406,000 BTU, *Natural(009219)/Propane(009227), Digital	\$5,302.00



[See pages 161-166 for select heater part breakdowns.](#)



## Residential & Spa Gas Heaters

The Raypak 106A and 156E are the perfect choice for spas and small pools. Raypak is the only manufacturer of these size heaters to use all the engineering and components utilized in our bigger gas heaters. The unit is fully serviceable and built for years of operation. These may be our smallest pool and spa heaters, but they are built to the same exacting standards as the rest of our products. Polymer headers & all copper fin-tube heat exchangers. [See raypak.com](http://raypak.com) for complete information.

RAY-PR106AA*C	106,000 BTU, *Natural(014779)/Propane(014781), Millivolt	\$2,168.00
RAY-PR156AE*C	156,000 BTU, *Natural(014784)/Propane(014786), Digital	\$2,646.00



## D-2 Power Vent

The D-2 Power Vent assembly is a Category III mechanical draft venting system that operates with a positive vent static pressure and with a vent gas temperature that avoids excessive condensate production in the vent. All sizes are capable of relieving flue gases up to a maximum of 100 equivalent feet of vent length. All models have a 4" diameter exhaust connection. Using the supplied adjustable 90° elbow, the flue gases may be discharged in any direction. Or simply remove the elbow for vertical venting. Factory set for 240 volts. Can be rewired in the field for 120V operation.

RAY-009832	D-2 Power Vent (Models 206 – 266)	\$1,026.00
RAY-009833	D-2 Power Vent (Models 336 – 406)	\$1,044.00



## Draft Hoods

Raypak draft hoods (heater tops). [Required for indoor installations. Customers responsible for meeting local gas and venting codes.](#)

RAY-014357	Draft Hood – 106,000 BTU Heater (Model 106A)	\$190.00
RAY-014358	Draft Hood – 156,000 BTU Heater (Model 156E)	\$195.00
RAY-009838	Draft Hood – 206,000 BTU Heater (Model 206)	\$262.50
RAY-009839	Draft Hood – 266,000 BTU Heater (Model 266)	\$267.50
RAY-009840	Draft Hood – 336,000 BTU Heater (Model 336)	\$272.50
RAY-009841	Draft Hood – 406,000 BTU Heater (Model 406)	\$277.50



## ASME Pool & Spa Heater

New Hayward H-Series ASME gas heaters are designed and certified for commercial use. The flagship of the H-Series line, they combine industry-leading hydraulics, exceptional performance, energy efficiency and reliability, with planet-friendly low-NOx emissions. Flexible connection options make them ideal for new or existing applications. Standard Cupro-nickel heat exchanger on all models. [See hayward-commercial-pool.com](http://hayward-commercial-pool.com) for complete information.

HAY-H250FD*ASME	250,000 BTU, Digital, *Natural/Propane, ASME	\$6,302.98
HAY-H400FD*ASME	400,000 BTU, Digital, *Natural/Propane, ASME	\$7,404.82
HAY-H500FD*ASME	500,000 BTU, Digital, *Natural/Propane, ASME	\$9,302.42

### Vent Kits. Please call for additional venting options.

HAY-UHXNEGVT12506	Indoor Vent Kit- 250,000 BTU Heater, Vertical	\$301.98
HAY-UHXNEGVT14008	Indoor Vent Kit- 400,000 BTU Heater, Vertical	\$354.52
HAY-UHXNEGVT15008	Indoor Vent Kit- 500,000 BTU Heater, Vertical	\$463.26
HAY-UHXPOSHZ12504	Indoor Vent Kit- 250,000 BTU Heater, Horizontal	\$688.42
HAY-UHXPOSHZ14006	Indoor Vent Kit- 400,000 BTU Heater, Horizontal	\$712.42
HAY-UHXPOSHZ15006	Indoor Vent Kit- 500,000 BTU Heater, Horizontal	\$848.34



[See pages 161-166 for select heater part breakdowns.](#)



# Gas Heaters

## **PENTAIR ETI 400 High Efficiency Gas Heater- 96% Efficiency**

The ETI 400 High Efficiency Heater features the TitanTough Direct-Fire Pure Titanium Heat Exchanger, the longest-lasting heat exchanger ever built. Titanium is known for excellent corrosion resistance, high strength and light weight. The ETI 400 delivers 96% thermal efficiency, the highest of any pool heater. The ETI 400 heater provides excellent flexibility for installation, with fully sealed Category IV direct air venting that does not require large room openings for combustion air. Also features a rotatable front door and control keypad allow easy right-or left-hand plumbing. [See pentairpool.com](http://pentairpool.com) for complete information.

PEN-461113	Pentair ETI 400 High Efficiency Gas Heater	\$14,370.94
PEN-461112	Pentair ETI 250 High Efficiency Gas Heater	\$10,225.32



## **PENTAIR Mastertemp High Performance Heater**

Ultra-high performance in a compact, quiet, and eco-friendly design. MasterTemp Heaters offer all the efficiency, convenience, and reliability features you want in a pool heater, plus a lot more—fast heat-up, compact design, super quiet operation, easy to use, and eco-friendly. An Eco Select Choice, the MasterTemp high performance heaters offer best-in-class energy efficiency. Plus, they are certified for low NOx emissions, making them eco-friendly favorites. Available in Propane versions. [See pentairpool.com](http://pentairpool.com) for complete information.

PEN-460730	200,000 BTU, Natural Gas, Electronic - Copper Heat Exchanger/ Polymer Header	\$4,093.90
PEN-460732	250,000 BTU, Natural Gas, Electronic - Copper Heat Exchanger/ Polymer Header	\$4,350.08
PEN-460734	300,000 BTU, Natural Gas, Electronic - Copper Heat Exchanger/ Polymer Header	\$5,095.00
PEN-460736	400,000 BTU, Natural Gas, Electronic - Copper Heat Exchanger/ Polymer Header	\$5,573.80
PEN-461000	200,000 BTU, Natural Gas, Electronic - ASME Copper Heat Exchanger/Bronze Header	\$5,676.64
PEN-460771	250,000 BTU, Natural Gas, Electronic - ASME Copper Heat Exchanger/Bronze Header	\$5,864.30
PEN-461020	250,000 BTU, Natural Gas, Electronic - ASME HD Cupro-Nickel Heat Exchanger/Bronze Header	\$6,110.76
PEN-460775	400,000 BTU, Natural Gas, Electronic - ASME Copper Heat Exchanger/Bronze Header	\$6,599.88
PEN-461021	400,000 BTU, Natural Gas, Electronic - ASME HD Cupro-Nickel Heat Exchanger/Bronze Header	\$6,675.12



## **Jandy JXi Ultra-Compact Gas Pool Heater ASME**

The JXi heater sets the standard in pool and spa heating technology with its ultra-compact size (2' x 2' footprint), light weight design, and installation flexibility, making it a top choice for pool professionals and pool owners everywhere. ASME certified models come with robust copper heat exchanger tubes and corrosion resistant bronze headers to meet the high stresses of commercial installations. [See jandy.com](http://jandy.com) for complete information.

JAN-JXI260*C	250,000 BTU, Digital, *Natural/Propane, ASME	\$6,053.26
JAN-JXI400*C	400,000 BTU, Digital, *Natural/Propane, ASME	\$6,831.22
Indoor Installation Conversion Kits		
JAN-R0731100	JXi Indoor Exhaust Conversion Kit	\$229.82
JAN-R0724600	JXi Direct Air Intake Conversion Kit	\$333.54



[See pages 161-166 for select heater part breakdowns.](#)

## **PENTAIR PowerMax Commercial Gas Pool Heaters**

When performance is critical, the PowerMax heater provides peak efficiency and easy maintenance for both indoor and outdoor applications. Models from 500-2000 MBTU with 85% efficiency for commercial swimming pool and theme park applications. A 10-tube heat exchanger uses finned tubing for the quickest and most efficient heat transfer. With superior overall construction and high-efficiency combustion, PowerMax can cut fuel costs significantly compared to conventional water heating systems, and the savings can amount to thousands of dollars over the life of the equipment. [See pentairpool.com](http://pentairpool.com) for complete information.



PEN-PM0500NACC3PJN	500,000 BTU PowerMax, CuproNickel Exchanger	\$16,380.56
PEN-PM0750NACC3PJN	750,000 BTU PowerMax, CuproNickel Exchanger	\$18,052.57
PEN-PM1000NACC3PJN	1,000,000 BTU PowerMax, CuproNickel Exchanger	\$22,117.78
PEN-PM1250NACC3PJN	1,250,000 BTU PowerMax, CuproNickel Exchanger	\$25,782.00
PEN-PM1500NACC3PJN	1,500,000 BTU PowerMax, CuproNickel Exchanger	\$29,600.12
PEN-PM1750NACC3PJN	1,750,000 BTU PowerMax, CuproNickel Exchanger	\$34,394.32
PEN-PM2000NACC3PJN	2,000,000 BTU PowerMax, CuproNickel Exchanger	\$36,271.69

## **Xtherm Professional Indirect Pool Heaters 1005A-2005A**

Raypak is pleased to announce their new Professional line of factory packaged indirect pool heating systems. These are factory assembled and plumbed on a prefabricated skid using our ultra-high-efficiency XTherm boilers driving a highly efficient shell and tube heat exchanger.

The standard configuration utilizes a highly corrosion resistant Cupro-Nickel exchanger with an option to upgrade to Titanium for the ultimate in corrosion resistance. The indirect heat exchanger keeps the boiler safe from corrosive pool water (low pH or high Chlorine levels) by separating the boiler water from the pool water. The system arrives completely assembled, just connect, fill and flip the switch! No onsite soldering or assembly needed. Easy to install and commission, unit comes standard with a 7" touchscreen display and Raypak's Versa IC control system. Full diagnostics with history and Modbus RTU BMS port. Economical to vent, unit comes standard with PVC vent connections and limit. Full electronic load tracking with 7:1 turndown. Allows easy to use cascade control of up to 8 units.

[See raypak.com](http://raypak.com) for complete information.



[Call for model options and customized pricing.](#)

## **Commercial Xtherm 97% Condensing Pool Heaters**

Raypak's XTherm product packs everything you need into one cabinet – a vertical heat exchanger, ultra-high efficiency (up to 97%), a heater pumping package, easy-to-understand diagnostics, low emissions, even a built-in multi-unit controller. The result is a pool heater that is practically plug-and-play.

[See raypak.com](http://raypak.com) for complete information.

[Call for model options and customized pricing.](#)



[See pages 161-166 for select heater part breakdowns.](#)



# Electric Heaters



## E3T Digital Electric Pool & Spa Heater

The Electric 3-Series Titanium heater is the latest technology in pool and spa heating. The E3T is built with titanium heating elements and 316L stainless steel to withstand extreme pool water conditions, including salt water chlorinated pools. The E3T heater operates by utilizing the latest solid-state design and flow sensor technology. It has easy to use digital controls with diagnostics. The compact size makes it is easy to install for new construction or replacement installations.

RAY-017121	5.5 kW E3T Electric Heater, 240 Volt	\$1,276.00
RAY-017122	11 kW E3T Electric Heater, 240 Volt	\$1,412.00
RAY-017123	18 kW E3T Electric Heater, 240 Volt	\$2,608.70
RAY-017124	27 kW E3T Electric Heater, 240 Volt	\$3,245.20



## Electric Spa Heater

The ST series heater is a compact electric spa heater that is available in a 5.5 kW or 11 kW version. It is equipped with a flow switch that allows operation at flow rates of 15 GPM to 70 GPM. The stainless steel tank is designed to optimize heat transfer by directing the water flow over the incoloy heating elements efficiently.

CAM-12406ST	5.5 kW Electric Heater with Internal Flow Switch	\$1,231.31
CAM-12411ST	11 kW Electric Heater with Internal Flow Switch	\$1,317.94



## Electric Pool & Spa Heaters

The CE, CPH & PHS Series heaters are compact units designed for small to medium sized pools and spas. Available in 12, 15, 18, 24, 30, 36, 45, 54, and 57 kW configurations. All units feature a built-in flow switch to prevent operation when there is no water flow and allow operation at flow rates between 20 GPM and 80 GPM. *Salt water heater options available - Please call. [Ships FOB Factory](#)*

CAM-12412CE	12 kW, 240V, Single Phase	\$3,684.04
CAM-12415CE	15 kW, 240V, Single Phase	\$3,721.58
CAM-12418CE	18 kW, 240V, Single Phase	\$3,764.48
CAM-12424CPH	24 kW, 240V, Single Phase	\$4,520.59
CAM-12430CPH	30 kW, 240V, Single Phase	\$4,606.39
CAM-12436PHS-3	36 kW, 240V, Single Phase	\$6,086.44
CAM-12445PHS	45 kW, 240V, Single Phase	\$6,134.70
CAM-32412CE	12 kW, 240V, Three Phase	\$3,238.95
CAM-32415CE	15 kW, 240V, Three Phase	\$3,303.30
CAM-32418CE	18 kW, 240V, Three Phase	\$3,737.66
CAM-32424CPH	24 kW, 240V, Three Phase	\$4,343.63
CAM-32430CPH	30 kW, 240V, Three Phase	\$4,445.51
CAM-32436PHS-3	36 kW, 240V, Three Phase	\$5,501.93
CAM-32445PHS	45 kW, 240V, Three Phase	\$5,593.09
CAM-32454PHS-4	54 kW, 240V, Three Phase	\$6,413.55
CAM-32457PHS	57 kW, 240V, Three Phase	\$6,493.99
CAM-32012CE	12 kW, 208V, Three Phase	\$3,238.95
CAM-32015CE	15 kW, 208V, Three Phase	\$3,303.30
CAM-32018CE	18 kW, 208V, Three Phase	\$3,737.66
CAM-32024CPH	24 kW, 208V, Three Phase	\$4,343.63
CAM-32030CPH	30 kW, 208V, Three Phase	\$4,445.51



(Coates Pool & Spa Heaters continued on next page)



## Electric Pool & Spa Heaters (Continued)

CAM-32036PHS-3	36 kW, 208V, Three Phase	\$5,501.93
CAM-32045PHS	45 kW, 208V, Three Phase	\$5,593.09
CAM-32054PHS-4	54 kW, 208V, Three Phase	\$6,413.55
CAM-32057PHS	57 kW, 208V, Three Phase	\$6,493.99
CAM-34812CE	12 kW, 480V, Three Phase	\$3,297.94
CAM-34815CE	15 kW, 480V, Three Phase	\$3,474.90
CAM-34818CE	18 kW, 480V, Three Phase	\$3,501.71
CAM-34824CPH	24 kW, 480V, Three Phase	\$3,898.54
CAM-34830CPH	30 kW, 480V, Three Phase	\$3,973.61
CAM-34836PHS-3	36 kW, 480V, Three Phase	\$4,627.84
CAM-34845PHS	45 kW, 480V, Three Phase	\$5,174.81
CAM-34854PHS-4	54 kW, 480V, Three Phase	\$5,603.81
CAM-34857PHS	57 kW, 480V, Three Phase	\$5,780.78



## Pool Heater Sizing Chart – Degree Increase in 24 Hours

Pool Surface Area	10 Degree Increase	15 Degree Increase	20 Degree Increase	25 Degree Increase	30 Degree Increase
200 Sq. Ft.	55,900	83,800	111,840	139,800	167,760
300 Sq. Ft.	83,880	125,820	127,700	209,700	251,640
400 Sq. Ft.	111,650	167,775	223,700	279,625	335,550
500 Sq. Ft.	139,810	209,715	279,620	349,525	419,430
600 Sq. Ft.	167,770	251,655	335,540	419,435	503,310
700 Sq. Ft.	195,720	293,595	391,460	489,325	587,190
800 Sq. Ft.	223,690	335,535	447,380	559,225	671,070
900 Sq. Ft.	251,650	377,475	503,300	629,125	754,950
1,000 Sq. Ft.	279,610	419,415	559,220	699,025	838,830

To calculate the time required to reach desired temperature, use this formula:

Pool Gallons X 8.33 (the weight of 1 gallon of water) X Temperature Rise = Output BTUs needed to achieve desired water temperature in 48-hours.

1 kW = 3,413 BTU

\*Heater size in BTUs.

## Pool Maintenance Heater Sizing Chart – To Maintain Temperature

Pool Surface Area	10 Degree Air Temp. Difference	15 Degree Air Temp. Difference	20 Degree Air Temp. Difference	25 Degree Air Temp. Difference	30 Degree Air Temp. Difference
200 Sq. Ft.	21,000	31,500	42,000	52,500	63,000
300 Sq. Ft.	31,500	47,300	73,000	78,800	94,500
400 Sq. Ft.	42,000	63,000	84,000	105,000	126,000
500 Sq. Ft.	52,500	78,800	105,000	131,000	157,000
600 Sq. Ft.	63,000	94,500	126,000	157,000	189,000
700 Sq. Ft.	73,400	110,000	147,000	184,000	220,000
800 Sq. Ft.	84,000	126,000	168,000	210,000	252,000
900 Sq. Ft.	94,500	142,000	189,000	236,000	284,000
1,000 Sq. Ft.	105,000	157,000	210,000	263,000	315,000

\*Heater size in BTUs.

# Heater Accessories

## The Black Pad Plastic Equipment Pad

A heavy-duty plastic pad with an extra thick base surface, double-thick walls and ribbing, and flared bottom edges for maximum self-leveling equipment support.

DIV-ACP24242	Plastic Equipment Pad - 2" x 24" x 24"	\$50.55
--------------	--	---------



## Heater Adapters

RAY-005393F	CPVC Male Threaded Adapter, 2"	\$123.34
-------------	--------------------------------	----------



## Universal Pressure Switch

The Aladdin Universal Pressure Switch is designed to fit almost any gas heater. It is recommended to replace any pressure switch annually for safety.

ALL-3902	Universal Pressure Switch	\$59.07
----------	---------------------------	---------



## Liquid Solar Pool Cover

Heatsavr is an effective liquid solar pool cover that greatly reduces heat loss and evaporation from your exposed pool surface. Heatsavr is made of simple biodegradable ingredients that form the best barrier currently available to slow the heat and water loss that causes high pool room humidity, and high facility heating bills. Can be manually dosed daily or automatically dosed using the HeatSavr Automatic Metering System.

Benefits:

- Keeps pools warmer, longer
- Save money, time, water and energy
- Save filters, skimmers and pumps
- Reduce energy and heat loss by up to 40%
- Average payback ratio of 10:1 to 20:1
- Lower humidity levels for indoor facilities



Daily dosage rate: Pools: 1 oz per day for every 400 sq. ft. of pool surface area  
Spas: 1 oz per day for every 50 sq. ft. of spa surface area

FLE-HS480	Heatsavr Liquid Pool Cover- 1 Liter Bottle (35 Oz.)	\$29.33
FLE-HS560-4x1	Heatsavr Liquid Pool Cover- 4x1 Gl. Case (140 Oz. Btls.)	\$369.60
FLE-HS700	Heatsavr Liquid Pool Cover- 5 Gl. Pail (700 Oz. Pail)	\$396.00
FLE-HS115	Heatsavr Automatic Metering Pump	\$370.50



## HORIZON Preventative Pool Heater Maintenance

Keep your pool or spa heater working with annual heater maintenance. Benefits of annual heater maintenance include increased heater efficiency, extended heater life, reduced heater down time, and can prevent expensive repairs.

Heater Maintenance Includes\*:

- Inspection of all components
- Remove and clean interior and exterior of heat exchanger
- Clean burners and burner tray
- Clean and grease all electrical connections
- Clean internal bypass valve

Please call us at 651-917-3075 to schedule service

\*Standard efficiency heaters up to 500K BTU only. Does not include any parts that require replacement.

Preventative Pool Heater Maintenance (first heater)	\$450.00
Each additional heater on same visit	\$350.00



See pages 161-166 for select heater part breakdowns.



## FlowVis Flow Meter

FlowVis is the most advanced, affordable, and reliable precision flow meter designed specifically for pools, spas, fountains, and water features. But FlowVis is more than just a flow meter; it's also a fully functioning check valve! With a verified average accuracy of 97.9%, FlowVis is the industry's only NSF Certified flow meter.

H2F-FV-15	FlowVis 1½" Flow Meter (10-90 GPM Flow Range), SCH40 Pipe	\$261.80
H2F-FV-2	FlowVis 2" Flow Meter (10-110 GPM Flow Range), SCH40 Pipe	\$261.80
H2F-FV-25	FlowVis 2½" Flow Meter (10-110 GPM Flow Range), SCH40 Pipe	\$261.80
H2F-FV-3	FlowVis 3" Flow Meter (70-240 GPM Flow Range), SCH80 Pipe	\$619.92
H2F-FV-3-40	FlowVis 3" Flow Meter (70-240 GPM Flow Range), SCH40 Pipe	\$619.92
H2F-FV-4	FlowVis 4" Flow Meter (125-450 GPM Flow Range), SCH80 Pipe	\$686.70
H2F-FV-SK	FlowVis Service Repair Kit (Oring, flapper, spring & pivot)	\$87.78

Additional parts available. Please call for info.



## Blue-White Industries, Ltd. Flow Meters

One piece machined acrylic meter body. Polished to a clear-as-glass finish. Acceptable for outdoor installations (even direct sunlight). Includes gasket and stainless steel clamps.

\*Select mounting configuration:

F= Horizontal Pipe; U= Vertical Up; D= Vertical Down



BLW-*30150P	1½" Flow Meter	\$182.45
BLW-*30200P	2" Flow Meter	\$182.45
BLW-F-30250P	2½" Flow Meter	\$182.45
BLW-F-30300P	3" Flow Meter	\$182.45
BLW-F-30400P	4" Flow Meter	\$182.45
BLW-F-30600P	6" Flow Meter	\$261.20
BLW-F-30800P	8" Flow Meter	\$261.20
BLW-F-3005	Red Replacement Plug	\$3.94
BLW-F-3003	Replacement Gasket	\$5.93

## Rola-Chem Corporation Flow Meters

Rola-Chem's flow meters have a wide chamber that greatly reduces mineral deposits by allowing higher flow volume and have been designed to be compatible with practically every existing flow meter.

\*Select mounting configuration:

T= Top Horizontal; S= Side Horizontal; V= Vertical Up/Down



ROL-570341*	1½" Flow Meter	\$131.32
ROL-570351*	2" Flow Meter	\$138.40
ROL-570361*	2½" Flow Meter	\$141.96
ROL-570371*	3" Flow Meter	\$189.98
ROL-570381*	4" Flow Meter	\$213.19
ROL-570391*	6" Flow Meter	\$269.78
ROL-570401*	8" Flow Meter	\$289.65

## Blue-White Industries, Ltd. Digital Flow Meters

Battery powered (2 batteries Alkaline AA), easy to read, 6 digit, up to 4 decimal positions, LCD display. Factory programmed. Available calibration units: GPM, LPM, GPH, LPH, AFD (custom units available) Flow: from .4 to 8000 GPM (based on pipe size).

BLW-RB-150S4-GPM1	1½" Digital Flow Meter	\$480.88
BLW-RB-200S4-GPM1	2" Digital Flow Meter	\$480.88
BLW-RB-300S4-GPM1	3" Digital Flow Meter	\$480.88
BLW-RB-400S4-GPM1	4" Digital Flow Meter	\$480.88
BLW-RB-600S4-GPM1	6" Digital Flow Meter	\$480.88
BLW-RB-800S4-GPM1	8" Digital Flow Meter	\$480.88





# Flow Meters

## +GF+ SIGNET 9900 SmartPro Transmitter

The Signet 9900 Transmitter provides a single channel interface for many different parameters including Flow, pH/ORP, Conductivity/Resistivity, Salinity, Pressure, Temperature, Level and other sensors that output a 4 to 20 mA signals. The Signet 9900 Transmitter is offered in both panel or field mount versions. Both configurations can run on 12V to 32V power (24 VDC nominal). **4 to 20mA Signal only!**

SIG-3-9900-1P	Signet 9900 SmartPro Transmitter, Panel Mount <b>(4 to 20mA) (1)</b>	\$749.07
SIG-3-9900-1	Signet 9900 SmartPro Transmitter, Field Mount <b>(4 to 20mA) (2)</b>	\$749.07
SIG-3-8050	Signet Universal Mount Kit (for field mount transmitter) <b>(3)</b>	\$97.61
GRA-PIP24VDC	LINEAR Plug-In Transformer, 100-240V input to 24V output <b>(4)</b>	\$93.70



## +GF+ SIGNET 8150 Batter Operated Flow Totalizer

The Signet 8150 Battery Operated Flow Totalizer with large digital display indicates flow rate and totalized flow volume simultaneously. Four button keypad for simple operation and scrolling through totalizers. Calibration can be easily performed by entering the AutoCal feature and entering a value to match an external reference. **S3L Signal only!**

SIG-3-8150-1P	Signet 8150 Battery Operated Flow Totalizer <b>(S3L Signal)</b>	\$783.58
---------------	---	----------



## +GF+ SIGNET 2551 Magmeter Flow Sensor

The Signet 2551 Magmeter is an insertion-style magnetic flow sensor that features no moving parts. Signet 2551 Magmeters offer many output options of frequency/digital (S3L) or 4 to 20 mA which are available on both the blind and display versions. Utilizing the comprehensive line of Signet installation fittings, sensor alignment and insertion depth is automatic. Polypropylene & 316L SS.

SIG-3-2551-P0-11	Signet Magmeter 2551 - 1/2" - 4" Pipe, Blind Version <b>(S3L Output)</b>	\$1,359.81
SIG-3-2551-P1-11	Signet Magmeter 2551 - 5" - 8" Pipe, Blind Version <b>(S3L Output)</b>	\$1,399.83
SIG-3-2551-P2-11	Signet Magmeter 2551 - 10" - 36" Pipe, Blind Version <b>(S3L Output)</b>	\$1,944.45
SIG-3-2551-P0-12	Signet Magmeter 2551 - 1/2" - 4" Pipe, Blind Version <b>(4 to 20mA)</b>	\$1,269.16
SIG-3-2551-P1-12	Signet Magmeter 2551 - 5" - 8" Pipe, Blind Version <b>(4 to 20mA)</b>	\$1,399.83
SIG-3-2551-P2-12	Signet Magmeter 2551 - 10" - 36" Pipe, Blind Version <b>(4 to 20mA)</b>	\$1,952.05



## +GF+ SIGNET 515 Rotor-X Paddlewheel Flow Meters (Red cap)

SIG-P51530-P0	Signet 515 Rotor-X Paddle Wheel Sensor, 1/2" - 4" Pipe <b>(S3L Output)</b>	\$514.17
SIG-P51530-P1	Signet 515 Rotor-X Paddle Wheel Sensor, 5" - 8" Pipe <b>(S3L Output)</b>	\$533.31
SIG-P51530-P2	Signet 515 Rotor-X Paddle Wheel Sensor, 10" & up Pipe <b>(S3L Output)</b>	\$575.94
SIG-P51550-3	Replacement- Rotor and Pin (515 paddle wheel)	\$111.42
SIG-1220-0021	Replacement- O-ring, Viton (515 & 2536 paddle wheel)	\$8.70



## +GF+ SIGNET Clamp-On Saddles SCH80 PVC

Signet clamp-on saddle fittings are specifically designed for Signet flow sensors, making sensor alignment and insertion depth automatic.

SIG-PV8S020	Clamp-On Saddle - 2 inch	\$216.63
SIG-PV8S025	Clamp-On Saddle - 2 1/2 inch	\$216.63
SIG-PV8S030	Clamp-On Saddle - 3 inch	\$251.43
SIG-PV8S040	Clamp-On Saddle - 4 inch	\$297.54
SIG-PV8S060	Clamp-On Saddle - 6 inch	\$361.05
SIG-PV8S080	Clamp-On Saddle - 8 inch	\$443.70





## **PENTAIR Easy Read Float or Sink Thermometer**

Snap on and off flotation top. Fahrenheit and Celsius scales. Shatterproof magnifying lens.

PEN-R141200	#136 Sink/Float Thermometer	\$24.50
-------------	-----------------------------	---------

## **PENTAIR Sinking Tube Thermometer**

Molded ABS plastic or chrome plated brass tube body. Sealed in glass with both Fahrenheit and Celsius. Complete with 3' poly rope.

PEN-R141046	#127 ABS Thermometer	\$14.28
PEN-R141086	#130 Chrome Brass Thermometer	\$36.01

## **Skimmer Lids with Thermometers**

Skimmer lids with thermometers built in. Easy to read and more tamper proof than standard thermometers.

PEN-L1	Jacuzzi/Swimquip Lid (Square)	\$131.29
PEN-L3	Hayward Lid (Square)	\$131.29
PEN-L4W	American Lid (Round)	\$131.29

## **Inline Thermometer**

Threads directly into PVC pipe - 1/2" MPT.

MSC-1770THW5S2	Straight	\$40.63
MSC-1770THW5A2	90 Degree	\$40.63

## **Adjustable Angle Industrial Thermometers**

Tetrice Adjustable Angle Industrial Thermometer, 9" case, 3 1/2" aluminum stem, 30-240°F. Standard and light powered digital options.

TRE-BX9140307	Tetrice 9" Adjustable Angle Industrial Thermometer (1)	\$100.84
TRE-SX9140305	Tetrice Light-Powered Digital Adjustable Thermometer (2)	\$126.54
TRE-34F2	Thermowells For Industrial Thermometers, 3/4" NPT (3)	\$27.88

## **PENTAIR Inline Thermometer**

Pentair Letro 0-130 degree inline thermometer with 1/2" MPT nylon well.

PEN-SL1DW	Thermometer with Well	\$111.87
PEN-SWN	Nylon Well Only	\$25.60

## **ETEKCITY Lasergrip Digital Laser Infrared Thermometer**

Practical for both indoor and outdoor use, the Lasergrip 774 lets you safely measure surface temperatures from a distance while still maintaining laser-sharp accuracy. Measure extreme temperatures ranging from -58°F (-50°C) to 716°F (380°C) without ever needing to come in contact.

ETE-LGP774	Lasergrip 774 Digital Laser Thermometer	\$37.38
------------	---	---------



1

2

3





# Gauges

## 2" Pressure & Vacuum Gauges

AMG-EIPG6024L	2" Steel Pressure Gauge 0-60 PSI 1/4" - Side Mount	\$13.65
AMG-EIPG6024B	2" Steel Pressure Gauge 0-60 PSI 1/4" - Back Mount	\$13.65
AMG-EIPPG6024L	2" Plastic Pressure Gauge 0-60 PSI 1/4" - Side Mount	\$12.00
AMG-EIPPG6024B	2" Plastic Pressure Gauge 0-60 PSI 1/4" - Back Mount	\$12.00
AMG-IPVG3024B	2" Vacuum Gauge 0-30 1/4" Back Mount	\$10.95
AMG-VG3028B	2" Vacuum Gauge 0-30 1/8" Back Mount	\$10.95

[Additional gauge sizes and OEM gauges available.](#)



## 4" Panel Mount Pressure Gauge

NEP-1000-6376	4" Panel Mount Pressure Gauge (Neptune-Benson Sand & Defender Filters)	\$72.54
---------------	---	---------



## **WATERCO** Dual Pressure Differential Gauge Panel

WTC-W22345A	Dual Pressure Differential Gauge Panel	\$517.52
-------------	--	----------





## **ZODIAC** Levolor K-1100 Automatic Water Leveler

Electronic fill device that detects low water conditions and automatically replaces water to a pre-set level. Can be used in any situation where a consistent water level is desired.

SDY-K1100CKC	Levelor K-1100 Kit with 100' Sensor	\$939.56
Levelor Replacement Parts		
SDY-S2040C	Replacement Sensor with 100' cord, slip style 1"	\$288.75
SDY-S2044A	Replacement Sensor with 50' cord, half-moon style	\$221.65
SDY-SOL100	Polymer Solenoid Valve, 1" with flow control	\$186.43
SDY-SOL100B	Brass Solenoid Valve, 1" with flow control	\$519.40



## **Ametek Control Technology** ELC-800r Single-Sensing Water Level Controller

The ELC-800r has an easy to program menu; along with the ability to sense dangerously low water conditions and deactivate circulation pumps, protecting them from damage. Still taking advantage of proximity sensing technology, the ELC-800r stands apart from other water level controllers that use floats, or introduce electrical currents into the water. Each unit comes with 25' sensor cord. Dual sensing and other configurations available.

ACT-ELC-800R-SS-SW-25	ELC-800r Single-Sensing with Standard Well Application	\$1,921.68
ACT-ELC-800R-SS-SG-25	ELC-800r Single-Sensing with Sight Glass Application	\$1,921.68
ACT-ELC-800R-SS-ST-25	ELC-800r Single-Sensing with Surge Tank Application	\$1,921.68
ACT-ELC-800R-SS-WW-25	ELC-800r Single-Sensing with Wet Well Application	\$1,921.68
ACT-ELC-800R-SS-B-25	ELC-800r Single-Sensing with Bracket Application	\$1,921.68
ACT-ELC-800R-SS-DW-25	ELC-800r Single-Sensing with Deck Well Application	\$2,949.84
ELC-800 Replacement Parts		
ACT-ELC-PS	Replacement ELC Proximity Switch/Sensor, 25' cord	\$263.16
ACT-ELC-CABLE	Additional Sensor Cable, per foot	\$.99



## **POOLMISER** Water Leveler Replacement Parts

NOY-RP204	Replacement Lid (1)	\$35.16
NOY-RP402	Replacement Float Valve (2)	\$42.20



## **MP Industries** Auto-Lev Replacement Parts

MPI-4059	Replacement Float Assembly (1)	\$29.37
CMP-25504000010	Replacement Lid- White (2)	\$23.40



## **WARRICK CONTROLS** Replacement Probes

GEM-3R1C0	Replacement Probe, 12" long* (cut to size)	\$40.88
-----------	--	---------

\*Additional lengths available



# Spa & Sauna Accessories

## Spring Wound Spa Timer

Spring wound 15 minute spa timer. 120/250V.

Max. Amps: 20@120V; 10@250VAC

15 Minute Max. Health Code Requirement for Commercial Spas.



INT-FF15MC	15 Minute Spring Wound Spa Timer	\$68.77
------------	----------------------------------	---------

## Digital Spa Timer

Digital spa timer is programmable for 5 min to 12 hr. 120/230/277V.

Max. Amps: 6.6@120V; 4.3@277V

15 Minute Max. Health Code Requirement for Commercial Spas.



WAT-TS400W	"Digital" Spa Timer, 120/230/277V	\$162.68
------------	-----------------------------------	----------

## Sauna Thermometer

Thermometer designed for use in dry saunas. 4" diameter face.



NRV-9251-024	Sauna Thermometer	\$37.00
--------------	-------------------	---------

## Sauna Bucket & Ladle

Wooden sauna bucket with liner and ladle for use in any dry saunas.



NRV-9260-03	Bucket With Liner	\$151.00
NRV-9261-01	14" Wooden Ladle	\$40.00

## Sauna Rocks

Rocks for use with dry saunas.



NRV-2990-103	50# box	\$77.50
--------------	---------	---------

## Swim Suit Water Extractor

The Suitmate Swimsuit Water Extractor removes 95% of a suit's water in seconds leaving them nearly drip free. Helps protect facilities from water damage and increases patron satisfaction.



EXT-72100	115V Unit	\$2,476.80
-----------	-----------	------------

See Page 45 for Spa Air Blowers.



## Directional Flow Inlet Fittings

HAY-SP1419A	1 1/2" MPT Hydrostream Slotted Opening (1)	\$8.66
HAY-SP1419B	1 1/2" MPT Hydrostream 3/8" Opening (2)	\$8.66
HAY-SP1419C	1 1/2" MPT Hydrostream 1/2" Opening (2)	\$8.66
HAY-SP1419D	1 1/2" MPT Hydrostream 3/4" Opening (2)	\$8.63
HAY-SP1419E	1 1/2" MPT Hydrostream 1" Opening (2)	\$8.63
HAY-SP1419T	Hydrostream Seat Removal Tool	\$10.31
HAY-SP1421D	1 1/2" Insider Inlet with 3/4" Opening (3)	\$8.63
HAY-SP1425	2" MIP Adjustable Floor Inlet Fitting (4)	\$49.86
PEN-08429-0000	1 1/2" Wall Inlet Complete with 3/4" Opening (5)	\$61.11
PEN-08428-0001	1 1/2" Eyeball Inlet Kit with 3/4" Opening (6)	\$61.74
PEN-542002	1 1/2" Insider Inlet with 1" Opening (7)	\$15.18
PEN-08417-0005	Floor Inlet Assembly (8)	\$42.10



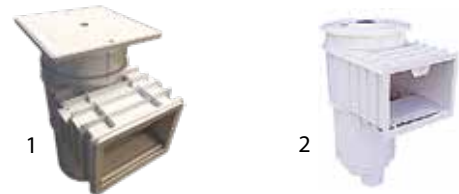
## Other Water Control Fittings

HAY-SP1056	Hydrostatic Relief Valve 1 1/2" / 2" (1)	\$36.69
HAY-SP1056T	Hayward Hydrostatic Relief Valve Removal Tool	\$75.76
HAY-SP1055PAK2	12" Slotted Collector Tub, 1 1/2"/2" MIP, 2-pk (2)	\$46.17
HAY-SP1074S	2" In-line Sight Glass (3)	\$66.39



## Skimmers - Concrete Pools

HAY-SP1082	2" Auto-Skim, 5 1/4" Throat (1)	\$238.43
PEN-08650-1404	U-3 Skimmer, 2" Slip with 1 1/2" Slip Reducer (2)	\$212.40



## Skimmers Weirs - Universal

CMP replacement weirs are available in a variety of sizes to fit most models of skimmers made by the industry's leading manufacturers. Height of all weirs is 5 1/4" and thickness is 1 1/8".

CMP-25141-300-000	7" Universal Weir	\$20.58
CMP-25141-360-000	Hayward 1080 Series Weir - 7-3/16"	\$18.27
CMP-25141-400-000	8" Universal Weir	\$20.79
CMP-25141-500-000	9" Universal Weir	\$24.36
CMP-25141-700-000	11" Universal Weir	\$27.75
CMP-25141-800-000	12" Universal Weir	\$29.64
CMP-25141-440-000	Swimquip Weir - U3, 8 3/8"	\$22.17



## Skimmers Weirs - OEM

PEN-85001500	American Admiral Skimmer Weir (1) [8" Long x 5" Wide]	\$49.41
HAY-SPX1082K	Hayward Model 1082 Skimmer Weir (2) [7 3/4" Long x 5 1/2" Wide]	\$36.74
HAY-SPX1094K	Hayward Model 1094 Skimmer Weir (3) [5 5/16" x 5 3/16"]	\$37.90
HAY-SPX1096K	Hayward Model 1096 Skimmer Weir (3) [5 3/4" x 5 1/4"]	\$37.90
PEN-08650-0022	Sta-Rite/Swimquip Model U-3 Weir (4) [8 3/8" Long x 5" Wide]	\$49.69



## Internal Floating Skimmer Weirs

Floating skimmer weirs prevent swimmers from damaging weir flaps and costly replacement. Weir contained within skimmer and basket. [American Admiral and Swimquip U-3 skimmers only.](#)

PEN-R38013B	Floating Weir- American Admiral <b>(1)</b>	\$26.97
PEN-R38013AZ	Skimmer Basket for American Floating Weir <b>(2)</b>	\$41.01
POT-130	Floating Weir Conversion- U-3 Skimmers <b>(3)</b> <i>(skimmer basket not included; STA-086500007)</i>	\$96.00



## Replacement Skimmer Covers

PEN-85004700	American 7 1/2" Skimmer Cover [Round] <b>(1)</b>	\$25.44
PEN-85007400Z	American 9 1/8" Skimmer Cover [Round] <b>(2)</b>	\$58.89
HAY-SPX1082E	Hayward 10" Skimmer Cover [Square] <b>(3)</b>	\$37.68
HAY-SPX1084R	Hayward 8 3/4" Skimmer Cover [Round] <b>(4)</b>	\$61.49
PEN-516215	Pac-Fab 9 1/4" Skimmer Cover [Round] <b>(5)</b>	\$39.96
PEN-08650-0058	Sta-Rite 9 7/8" Skimmer Cover [Round] <b>(6)</b>	\$35.01



## Skimmer Baskets

PEN-R38013AZ	American Admiral Skimmer Basket <b>(1)</b>	\$41.01
PEN-85014500	American Admiral Skimmer Basket <b>(2)</b>	\$41.40
HAY-SPX1082CA	Hayward Skimmer Basket <b>(3)</b>	\$24.20
PEN-516112Z	Pac-Fab Skimmer Basket <b>(4)</b>	\$43.42
PEN-08650-0007Z	Sta-Rite/Swimquip U3 Skimmer Basket <b>(4)</b>	\$17.05



## Skimmer Accessories

HAY-SP1082FV	Hayward Skimmer Float Valve Assembly	\$97.27
HAY-SP1106	Hayward Skim Vac Plate- Straight with gasket <b>(1)</b> [For Skimmer Models: SP1082, 1084, 1085, & 1075]	\$32.29
HAY-SP1107	Hayward Skim Vac Plate- Straight <b>(1)</b> [For Skimmer Models: SP1082, 1084, 1085, 1070, & 1075]	\$24.72
HAY-SP11071	Hayward Skim Vac Plate- Elbow <b>(2)</b> [For Skimmer Model: SP1089]	\$28.38
HAY-SP1078	Hayward Skimmer Equalizer Valve <b>(3)</b>	\$36.27
PEN-506161	Pac Fab Skimmer Vac Plate <b>(4)</b>	\$34.79
PEN-08650-0042	U-3 Skimmer Vacuum Adapter <b>(5)</b>	\$38.97
PEN-08650-0079	U-3 Skimmer Float Valve Assembly <b>(6)</b>	\$49.94
PEN-08655-0017	U-3 Skimmer 2" Check Valve	\$41.55
PEN-WC37-503P	U-3 Skimmer Extension Collar	\$49.50



[Skimmer basket & lid reference on page 69.](#)

# Skimmer Basket & Lid Reference



<p><b>AMERICAN PRODUCTS</b></p> <p>NEW STYLE</p> <p>4060-03A (850007400) 8 3/8"</p> <p>4060-01A (850001/R38013A)</p>	<p><b>AMERICAN PRODUCTS</b></p> <p>OLD STYLE</p> <p>4060-03B (85000500)</p> <p>4060-12A (850145)</p>	<p><b>AMERICAN PRODUCTS</b></p> <p>9381-09 (85004700)</p> <p>3 7/8" 9381-07 (850039)</p>	<p><b>BAKER HYDRO</b></p> <p>4010-01 (51B1017)</p> <p>4 7/8" 4010-04 (51B1026)</p>
<p><b>CLAYTON - LAMBERT</b></p> <p>4080-02 (P-2500)</p> <p>6 1/4" 4080-01 (P-287)</p>	<p><b>HAYWARD</b></p> <p>4040-02 (SPX1082E)</p> <p>4040-05 [5403-12] (SPX1082CA)</p>	<p><b>HAYWARD</b></p> <p>4040-19 (SPX1084R)</p> <p>4040-05 [5403-12] (SPX1082CA)</p>	<p><b>HAYWARD</b></p> <p>4041-02 (SPX1096B)</p> <p>4041-04 [5403-10] (SPX1096CA)</p>
<p><b>JACUZZI</b></p> <p>4050-14 (43050509R)</p> <p>REP W/5400-B183 (43-0507-07)</p>	<p><b>PAC FAB</b></p> <p>4035-02 (516215)</p> <p>5 1/8" OBSOLETE (516112)</p>	<p><b>SWIMQUIP/STA-RITE</b></p> <p>4020-05 (08650-0058)</p> <p>5403-08 (R38008)</p>	<p><b>SWIM - PRO</b></p> <p>5 1/8"</p> <p>*5404-01 HAS A 6 7/8" STEM *5404-02 HAS A 6 1/8" STEM *5404-03 HAS A 12 3/4" STEM</p>

## Rigid Schedule 40 PVC Pipe - Order in 10ft lengths or by the foot

FTG-00005	½" x 10' Rigid PVC Pipe	\$11.55 Ea	\$1.98 per Foot
FTG-00075	¾" x 10' Rigid PVC Pipe	\$12.95 Ea	\$2.22 per Foot
FTG-00100	1" x 10' Rigid PVC Pipe	\$20.30 Ea	\$3.48 per Foot
FTG-00150	1½" x 10' Rigid PVC Pipe	\$21.50 Ea	\$3.44 per Foot
FTG-00200	2" x 10' Rigid PVC Pipe	\$29.50 Ea	\$4.72 per Foot
FTG-00250	2½" x 10' Rigid PVC Pipe	\$48.00 Ea	\$7.68 per Foot
FTG-00300	3" x 10' Rigid PVC Pipe	\$58.25 Ea	\$9.32 per Foot
FTG-00400	4" x 10' Rigid PVC Pipe	\$63.60 Ea	\$11.13 per Foot
FTG-00600	6" x 10' Rigid PVC Pipe	\$101.32 Ea	\$14.90 per Foot



## Flexible Schedule 40 PVC Pipe - Order by the roll

FTG-PEO050X100	½" x 100' Roll	\$236.30 per Roll
FTG-PEO075X100	¾" x 100' Roll	\$280.50 per Roll
FTG-PEO150X050	1½" x 50' Roll	\$408.00 per Roll
FTG-PEO200X050	2" x 50' Roll	\$613.70 per Roll



## Schedule 40 PVC Cement

IPS-10852	#747 WELD-ON Rigid Cement Blue – 1 Quart	\$54.89
IPS-10853	#747 WELD-ON Rigid Cement Blue – 1 Pint	\$32.12
IPS-10854	#747 WELD-ON Rigid Cement Blue – ½ Pint	\$23.67
IPS-10280	#795 WELD-ON Flex Cement Clear – 1 Quart	\$79.58
IPS-12123	#704 WELD-ON PVC Cement Clear – 1 Quart	\$63.94
IPS-10209	P-68 WELD-ON Cleaner/Primer Clear – 1 Quart	\$59.10
IPS-10211	P-68 WELD-ON Cleaner/Primer Clear – 1 Pint	\$39.07
IPS-10213	P-68 WELD-ON Cleaner/Primer Clear – ½ Pint	\$21.01
IPS-10223	P-70 WELD-ON Cleaner/Primer Purple – 1 Quart	\$72.60
IPS-10227	P-70 WELD-ON Cleaner/Primer Purple – ½ Pint	\$24.86



## Economy Ball Valves

SPE-2622005	½" Utility Ball Valve SOC x SOC	\$35.85
SPE-2622007	¾" Utility Ball Valve SOC x SOC	\$42.53
PRA-150-ES00	1½" Economy Ball Valve SOC x SOC	\$43.96
PRA-200-ES00	2" Economy Ball Valve SOC x SOC	\$56.92
SPE-2622025	2 ½" Utility Ball Valve SOC x SOC	\$193.50
SPE-2622030	3" Utility Ball Valve SOC x SOC	\$294.95



## **PRAHER VALVES** True Union Ball Valves

PRA-BV6-0501PES	½" True Union Ball Valve SOC x SOC	\$40.16
PRA-BV6-0751PES	¾" True Union Ball Valve SOC x SOC	\$42.28
PRA-BV61001PES	1" True Union Ball Valve SOC x SOC	\$43.32
PRA-BV6-1501PES	1 ½" True Union Ball Valve SOC x SOC	\$84.48
PRA-BV6-2001PES	2" True Union Ball Valve SOC x SOC	\$107.64
PRA-BV6-2501PES	2 ½" True Union Ball Valve SOC x SOC	\$273.50
PRA-BV6-3001PES	3" True Union Ball Valve SOC x SOC	\$339.96
PRA-BV6-4001PES	4" True Union Ball Valve SOC x SOC	\$626.66





## Labcock Ball Valve

FTG-1078002	Labcock Ball Valve - 1/4" Male NPT x 1/4" Tube	\$39.69
-------------	--	---------



## **PRAHER VALVES** Transition Adapter Unions

PRA-150-903	1 1/2" Standard Pump Adapter Union SOC x MPT (1)	\$18.50
PRA-200-903	2" Standard Pump Adapter Union SOC x MPT (1)	\$23.80
PRA-225-9061	2" MPT x 2.5" SOC Standard Pump Adapter Union (1)	\$41.24
PRA-150-906	1 1/2" High Temp Pump Adapter Union SOC x MPT (2)	\$25.80
PRA-200-906	2" High Temp Pump Adapter Union SOC x MPT (2)	\$33.55
PRA-200-996	2" Sweeping 90° High Temp Pump Adapter Union (3)	\$35.60



## **PRAHER VALVES** Inline Sight Glass

PRA-152-ISG	1 1/2" Inline Sight Glass, SOC x SOC	\$65.97
PRA-202-ISG	2" Inline Sight Glass, SOC x SOC	\$82.44
PRA-252-ISG	2 1/2" Inline Sight Glass, SOC x SOC	\$131.91
PRA-302-ISG	3" Inline Sight Glass, SOC x SOC	\$230.83



## Flo Control Check Valves

FLC-101115	1 1/2" PVC Check Valve- 1/2 lb. Spring	\$56.89
FLC-101120	2" PVC Check Valve- 1/2 lb. Spring	\$81.85
FLC-109520	2" PVC By-Pass Check Valve, 5 lb Spring	\$37.20
FLC-152015	1 1/2" PVC Swing Check Valve	\$43.97
FLC-152020	2" PVC Swing Check Valve	\$67.21



## **PENTAIR** Check Valve

PEN-263042	Pentair 2-Way Check Valve - 2" SOC x SOC	\$120.07
------------	--	----------



## Swing Check Valves

FTG-08986	4" Swing Check Valve, PVC body, EPDM O-rings	\$262.94
FTG-08988	6" Swing Check Valve, PVC body, EPDM O-rings	\$295.93
FTG-08989	8" Swing Check Valve, PVC body, EPDM O-rings	\$328.76



## CVC Ductile Iron Check Valves

FTG-CVC4	4" CVC Iron Check Valve	\$555.53
FTG-CVC6	6" CVC Iron Check Valve	\$838.21
FTG-CVC8	8" CVC Iron Check Valve	\$1,321.09
FTG-CVC10	10" CVC Iron Check Valve	\$1,705.00





# PVC Pipe & Valves



## Pool-Pro Type SP Butterfly Valves

FTG-1728030	3" Pool-Pro Butterfly Valve with Lever Operator	\$238.37
FTG-1728040	4" Pool-Pro Butterfly Valve with Lever Operator	\$263.57
FTG-1728060	6" Pool-Pro Butterfly Valve with Lever Operator	\$392.45
FTG-1728085	8" Pool-Pro Butterfly Valve with Lever Operator	\$672.49
FTG-3793080	8" Pool-Pro Butterfly Valve with Gear Operator	\$1,003.88
FTG-3793100	10" Pool-Pro Butterfly Valve with Gear Operator	\$1,335.28



## Bray Series 30 Cast Iron Butterfly Valves

BRA-300300	Bray Series 30 Iron Body, Nylon Coated Butterfly Valve - 3"	\$164.00
BRA-300400	Bray Series 30 Iron Body, Nylon Coated Butterfly Valve - 4"	\$222.00
BRA-300600	Bray Series 30 Iron Body, Nylon Coated Butterfly Valve - 6"	\$328.00
BRA-300800	Bray Series 30 Iron Body, Nylon Coated Butterfly Valve - 8"	\$520.00
BRA-010200	Lever Handle for 2" & 3" Valves	\$38.00
BRA-010400	Lever Handle for 4" Valves	\$38.00
BRA-010500	Lever Handle for 5" & 6" Valves	\$38.00
BRA-010800	Lever Handle for 8" Valves	\$38.00



## PVC Flanges

FTG-854030	3" PVC Van Stone Flange, SCH80 Socket	\$44.35
FTG-854040	4" PVC Van Stone Flange, SCH80 Socket	\$56.08
FTG-854060	6" PVC Van Stone Flange, SCH80 Socket	\$88.23
FTG-854080	8" PVC Van Stone Flange, SCH80 Socket	\$159.15
FTG-854100	10" PVC Van Stone Flange, SCH80 Socket	\$249.14



## Bolt & Stud Packs - Zinc Plated

FTG-BP0030Z	Bolt Pack, Zinc Plated, for 2"-3" Flanges	\$32.24
FTG-BP0040Z	Bolt Pack, Zinc Plated, for 4" Flanges	\$77.25
FTG-BP0060Z	Bolt Pack, Zinc Plated, for 5"-6" Flanges	\$84.45
FTG-BP0080Z	Bolt Pack, Zinc Plated, for 8" Flanges	\$84.45
FTG-BP0120Z	Bolt Pack, Zinc Plated, for 10"-12" Flanges	\$218.53
FTG-SP0030Z	Stud Pack, Zinc Plated, for 2"-3" Flanges/Valves	\$64.13
FTG-SP0040Z	Stud Pack, Zinc Plated, for 4" Flanges/Valves	\$128.23
FTG-SP0080Z	Stud Pack, Zinc Plated, for 5"-8" Flanges/Valves	\$148.82
FTG-SP0120Z	Stud Pack, Zinc Plated, for 10"-12" Flanges/Valves	\$318.22



## Flanges Gaskets - EPDM

FTG-FG030E	3" Flange Gasket EPDM	\$11.62
FTG-FG040E	4" Flange Gasket EPDM	\$16.87
FTG-FG060E	6" Flange Gasket EPDM	\$23.56
FTG-FG080E	8" Flange Gasket EPDM	\$32.48
FTG-FG100E	10" Flange Gasket EPDM	\$43.37
FTG-FG120E	12" Flange Gasket EPDM	\$59.22





## Coupling (SLP x SLP)

FTG-429005	1/2"	\$ .88
FTG-429007	3/4"	\$ 1.24
FTG-429010	1"	\$ 2.12
FTG-429015	1 1/2"	\$ 3.16
FTG-429020	2"	\$ 4.80
FTG-429025	2 1/2"	\$ 9.31



## Female Adapter (SLP x FPT)

FTG-435005	1/2"	\$ 1.52
FTG-435015	1 1/2"	\$ 3.92
FTG-435020	2"	\$ 5.28
FTG-435025	2 1/2"	\$ 11.66



## Male Adapter (SLP x MPT)

FTG-436005	1/2"	\$ 1.24
FTG-436015	1 1/2"	\$ 3.92
FTG-436020	2"	\$ 5.16
FTG-436025	2 1/2"	\$ 13.30



## Reducing Coupler (SLP x SLP)

FTG-437209	1 1/2"x1/2"	\$ 3.64
FTG-437210	1 1/2"x 3/4"	\$ 3.64
FTG-437247	2"x1/2"	\$ 6.00
FTG-437251	2"x1 1/2"	\$ 6.00



## Reducing Male Adapter (SLP x MPT)

FTG-436213	2"SLPx1 1/2"MPT	\$ 9.59
FTG-436251	1 1/2"SLPx2"MPT	\$ 10.92
FTG-436252	2 1/2"SLPx2"MPT	\$ 17.01



## Reducing Bushing (SLP x FPT)

FTG-438209	1 1/2"SLPx1/2"FPT	\$ 6.36
FTG-438210	1 1/2"SLPx3/4"FPT	\$ 6.36
FTG-438247	2"SLPx1/2"FPT	\$ 8.52
FTG-438248	2"SLPx3/4"FPT	\$ 8.52
FTG-438287	2 1/2"SLPx1/2"FPT	\$ 10.82



Add "SR" to item number for reinforced FPT

## Reducing Bushing (MPT x FPT)

FTG-439209	1 1/2"MPTx1/2"FPT	\$ 9.92
FTG-439210	1 1/2"MPTx3/4"FPT	\$ 9.92
FTG-439247	2"MPTx 1/2"FPT	\$ 9.31
FTG-439248	2"MPTx3/4"FPT	\$ 9.31
FTG-439251	2"MPTx1 1/2"FPT	\$ 9.31
FTG-439292	2 1/2"MPTx2"FPT	\$ 32.52



## Tee (SLP x SLP x SLP)

FTG-401005	1/2"	\$ 1.68
FTG-401015	1 1/2"	\$ 6.80
FTG-401020	2"	\$ 9.92
FTG-401025	2 1/2"	\$ 28.63
FTG-401209	1 1/2"x1 1/2"x1/2"	\$ 9.45
FTG-401210	1 1/2"x1 1/2"x3/4"	\$ 9.45
FTG-401247	2"x2"x1/2"	\$ 9.31
FTG-401248	2"x2"x3/4"	\$ 9.31



## Reducing Tee (SLP x SLP x FPT)

FTG-402209	1 1/2"x1 1/2"x 1/2" FPT	\$ 11.55
FTG-402210	1 1/2"x1 1/2"x 3/4" FPT	\$ 11.55
FTG-402247	2"x2"x1/2" FPT	\$ 14.53
FTG-402248	2"x2"x3/4" FPT	\$ 14.53
FTG-402251	2"x2"x1 1/2" FPT	\$ 14.53



## 90° Elbow (SLP x SLP)

FTG-406005	1/2"	\$ 1.36
FTG-406007	3/4"	\$ 1.52
FTG-406015	1 1/2"	\$ 5.16
FTG-406020	2"	\$ 8.04
FTG-406025	2 1/2"	\$ 21.46



## 90° Elbow (SLP x FPT)

FTG-407005	1/2"	\$ 1.68
FTG-407007	3/4"	\$ 1.92
FTG-407015	1 1/2"	\$ 6.68
FTG-407020	2"	\$ 17.24
FTG-407025	2 1/2"	\$ 37.28



## 90° Street Elbow (SLP x SLP)

FTG-409005	1/2"	\$ 3.80
FTG-409007	3/4"	\$ 4.68
FTG-409015	1 1/2"	\$ 9.31
FTG-409020	2"	\$ 17.96
FTG-409025	2 1/2"	\$ 32.20



## 45° Elbow (SLP x SLP)

FTG-417005	1/2"	\$ 2.24
FTG-417007	3/4"	\$ 3.48
FTG-417015	1 1/2"	\$ 7.20
FTG-417020	2"	\$ 9.44
FTG-417025	2 1/2"	\$ 21.49



All PVC sizes and configurations available in SCH40, SCH80 & CPVC.



# PVC Fittings & Supplies

## Union (SLP x SLP)

FTG-457005	1/2"	\$11.55
FTG-457007	3/4"	\$13.13
PRA-150-100	1 1/2"	\$15.85
PRA-200-100	2"	\$21.15
FTG-457025	2 1/2"	\$61.13



## Wye (SLP x SLP x SLP)

FTG-475005	1/2"	\$5.76
FTG-475007	3/4"	\$9.04
FTG-475015	1 1/2"	\$21.88
FTG-475020	2"	\$46.83
FTG-475030	3"	\$78.90



## Cap (SLP)

FTG-447005	1/2"	\$1.24
FTG-447007	3/4"	\$1.40
FTG-447015	1 1/2"	\$3.48
FTG-447020	2"	\$4.12
FTG-447025	2 1/2"	\$11.55



## Cap (FPT)

FTG-448005	1/2"	\$2.52
FTG-448007	3/4"	\$2.96
FTG-448015	1 1/2"	\$5.52
FTG-448020	2"	\$9.80
FTG-448025	2 1/2"	\$12.60



## Plug (MPT)

FTG-450005	1/2"	\$3.64
FTG-450007	3/4"	\$3.88
FTG-450015	1 1/2"	\$7.20
FTG-450020	2"	\$9.28
FTG-450025	2 1/2"	\$10.66



## 22 1/2° Elbow (SLP x SLP)

FTG-416015	1 1/2"	\$9.03
FTG-416020	2"	\$11.83
FTG-416025	2 1/2"	\$30.66
FTG-416030	3"	\$47.57



## Plug (SLP)

FTG-449005	1/2"	\$2.96
FTG-449007	3/4"	\$3.48
FTG-449015	1 1/2"	\$7.08
FTG-449020	2"	\$8.72
FTG-449025	2 1/2"	\$13.06



## Snap-On Saddle (O.D. x SLP)

FTG-463005	1/2"	\$3.00
FTG-463007	3/4"	\$3.32
FTG-463015	1 1/2"	\$10.54
FTG-463020	2"	\$15.40
FTG-463288	2 1/2" x 3/4"	\$36.03



All PVC sizes and configurations available in SCH40, SCH80 & CPVC.

## PVC Pipe Extenders

MAC-030115	1 1/2" Extender	\$6.51
MAC-030120	2" Extender	\$6.78



## Miscellaneous Plumbing Tools & Supplies

FTG-C47	Clic Pipe Clamp – 1 1/2" Pipe (1)	\$11.84
FTG-C59	Clic Pipe Clamp – 2" Pipe (1)	\$16.72
FTG-C71	Clic Pipe Clamp – 2 1/2" Pipe (1)	\$41.34
FTG-C80	Clic Pipe Clamp – 3" Pipe (1)	\$49.28
AND-CSAW	PVC Cable Saw (2)	\$15.58
FTG-TSNIP	Plastic Tubing Cutter (3)	\$29.25
FTG-PPS12	12" PVC Saw (4)	\$50.53
AMG-HL50	Ratcheting PVC Cutter Up To 2" (5)	\$210.44
FTG-1436015	1 1/2" Black Poly Insert Male Adapter (6)	\$8.86
FTG-1436020	2" Black Poly Insert Male Adapter (6)	\$17.01
AMG-6828	1 1/2" Stainless Steel Clamp (7)	\$4.40
AMG-6832	2" Stainless Steel Clamp (7)	\$3.60



## Clear Vinyl Tubing (Rola-Chem)

ROL-TUBE-FT	5/16" ID x 7/16" OD, Per Foot	\$2.24
ROL-TUBE-100FT	5/16" ID x 7/16" OD, 100 Foot Roll	\$112.00

## Low-Density Polyethylene Tubing (John Guest)

FTG-HT14OD-N-FT	1/4" OD x .17" ID, Natural, Per Foot	\$ .71
FTG-HT14OD-N-500FT	1/4" OD x .17" ID, Natural, 500 Foot Roll	\$118.26
FTG-HT14OD-*-500FT	1/4" OD x .17" ID, *Color, 500 Foot Roll (White, Blue, Black, Red, Orange, Green, Violet, Yellow)	\$118.26
FTG-HT38OD-N-FT	3/8" OD x 1/4" ID, Natural, Per Foot	\$1.60
FTG-HT38OD-N-500FT	3/8" OD x 1/4" ID, Natural, 500 Foot Roll	\$226.15
FTG-HT38OD-*-500FT	3/8" OD x 1/4" ID, *Color, 500 Foot Roll (White, Blue, Black, Red, Orange, Green, Violet, Yellow)	\$226.15
FTG-HT12OD-N-FT	1/2" OD x 3/8" ID, Natural, Per Foot	\$2.29
FTG-HT12OD-N-250FT	1/2" OD x 3/8" ID, Natural, 250 Foot Roll	\$191.02
FTG-HT12OD-*-250FT	1/2" OD x 3/8" ID, *Color, 250 Foot Roll (Blue, Black, Red)	\$191.02
FTG-HT34OD-N-FT	3/4" OD x 5/8" ID, Natural, Per Foot	\$4.31
FTG-HT34OD-N-100FT	3/4" OD x 5/8" ID, Natural, 100 Foot Roll	\$143.58



## John Guest Super Speedfit® Tube Fittings (NOT Chemical Resistant; Do NOT use on chemical feed lines)

### Union Elbow

FTG-PI0308S	1/4"	\$7.96
FTG-PI0312S	3/8"	\$11.92
FTG-PI0316S	1/2"	\$12.57



### Union Connector

FTG-PI0408S	1/4"	\$7.00
FTG-PI0412S	3/8"	\$8.30
FTG-PI0416S	1/2"	\$9.59



### Union Tee

FTG-PI0208S	1/4"	\$8.89
FTG-PI0212S	3/8"	\$10.99
FTG-PI0216S	1/2"	\$13.30



### Male Connector

FTG-PI010822S	1/4" x 1/4"	\$5.40
FTG-PI011223S	3/8" x 3/8"	\$7.77
FTG-PI011222S	3/8" x 1/4" MPT	\$7.72



### Two Way Divider

FTG-PI2308S	1/4"	\$12.32
FTG-PI2312S	3/8"	\$11.17



### Fixed Elbow

FTG-PI480822S	1/4"	\$7.96
FTG-PI481223S	3/8"	\$11.45



### Check Valve

FTG-1/4SCV	1/4"	\$34.93
FTG-3/8SCV	3/8"	\$35.74



### Shut Off Valve

FTG-PISV0412S	3/8"	\$27.79
FTG-PISV0416S	1/2"	\$28.07



### JACO Union Connector (Chemical Resistant)

FTG-154PPG	1/4"	\$4.24
FTG-156PPG	3/8"	\$6.60
FTG-158PPG	1/2"	\$7.24



### JACO Male Connector (Chemical Resistant)

FTG-1044PPG	1/4" x 1/4"	\$2.84
FTG-1064PPG	3/8" x 1/4"	\$3.36
FTG-1066PPG	3/8" x 3/8"	\$3.72
FTG-1068PPG	3/8" x 1/2" MPT	\$4.36
FTG-1088PPG	1/2" x 1/2"	\$4.80



### JACO Union Tee (Chemical Resistant)

FTG-704PPG	1/4"	\$5.22
FTG-706PPG	3/8"	\$6.90
FTG-708PPG	1/2"	\$8.28



All tubing sizes, materials and configurations available.



# Skimmers, Rakes & Brushes

## PENTAIR Heavy Duty Leaf Skimmer

Designed to remove debris from the surface of the water. Constructed of solid 3/8" anodized aluminum. This tough skimmer features a replaceable heavy gauge screen and a universal metal snap-adapt handle.



PEN-R121196	#126 Heavy Duty Leaf Skimmer	\$41.64
PEN-R121216	Replacement Screen for #126 Leaf Skimmer	\$22.20

## PENTAIR Heavy Duty Pro Leaf Rake

Pro Leaf Rake comes with replaceable frame and net. Snaps onto 3/8" solid aluminum rod. Replaceable squeegee strip.



PEN-R121230	#117 Pro Leaf Rake	\$64.76
PEN-R121232	#117R Replacement frame, squeegee & netting	\$46.34

## Economy Leaf Skimmers & Rakes

Economically priced leaf rakes and skimmers.



PEN-R121166	Leaf Skimmer, Plastic (1)	\$19.23
PEN-R121026	Leaf Skimmer, Aluminum (1)	\$29.76
PEN-R121186	Leaf Skimmer with 4' Pole	\$31.22
PEN-R121126	Econo Leaf Rake (2)	\$39.77

## Wall Brushes

Tough constructed one-piece white poly back and polished aluminum bracket. Poly-propylene bristles with a ultra-violet inhibitor and a universal snap-adapt handle.



PEN-R111316	18" Curved Wall Brush	\$30.02
PEN-R111342	24" Curved Wall Brush	\$65.49

## PENTAIR Algae Brushes

Algae brushes feature stainless steel bristles and are perfect for removing tough algae on plaster surfaces. Snap adapt handle fits most poles.



PEN-R111616	Algae Brush 6"	\$32.79
PEN-R111626	Algae Brush 9"	\$40.80
PEN-R111646	Algae Brush 18" Curved	\$67.34

## PENTAIR Tile Scrubber Brushes

Scrubber brushes for cleaning pool, spa and bathroom tile. 3 in 1 brush comes with three scrubbers of various pad textures. Universal scrubber comes with swivel handle.



PEN-R111560	Universal Scrubber w/ swivel handle #651	\$43.01
PEN-R111556	3 in 1 Brush #650	\$22.32

## 10" Dual Surface Acid/Deck Brush

Dual surface acid and deck cleaner brush with angle threaded attachment. Handle is 60" long with a durable threaded nylon tip to prevent corrosion from strong acids and cleaners. [Handle and brush sold separately.](#)



HPS-ACIDBRUSH	10" Dual Surface Brush	\$24.35
HPS-WOODHANDLE	60" Wood Handle, Threaded	\$13.29

## PENTAIR Flexible Vacuum Heads

Conforms to fit the shape of pool as you vacuum. Weighted with stainless fasteners and a universal snap-adapt handle.

PEN-R201112	12" Flexible Vacuum Head- #188	\$111.30
PEN-R201388	14" Slimline Flexible Vacuum Head- #203	\$71.79
PEN-R201126	19" Commercial Swivel Wheel- #250	\$267.62
PEN-R201286	22" Pro Vac- #222	\$251.52
PEN-R201298	41" Super Pro Vac- #241	\$540.83



## PENTAIR Leaf Traps

Specially designed to be used with automatic suction-side pool cleaners or vacuum heads. Rainbow Leaf Traps capture large amounts of leaves, twigs, rocks, hair pins, and other debris before it reaches the skimmer or pump basket. Includes 3 feet of flexible vacuum hose.

PEN-R211084	Leaf Trap Model 186A - 1½"	\$196.11
PEN-R211086	Leaf Trap Model 186A - 2"	\$210.17



## Vacuum Hoses

Flexible spiral bound vacuum hose for vacuuming outdoor or indoor swimming pools of any size. Complete with swivel cuff.

PLX-BO528112030W	1½" x 30' Vacuum Hose	\$70.51
PLX-BO528112035W	1½" x 35' Vacuum Hose	\$77.24
PLX-BO528112040W	1½" x 40' Vacuum Hose	\$83.95
PLX-BO528112050W	1½" x 50' Vacuum Hose	\$102.37
PLX-SR549200050C	2" x 50' Vacuum Hose	\$217.89



## Backwash Hose

Economic vinyl backwash hose for backwashing sand and DE filters. 1½" or 2" diameter by various lengths. Other lengths available upon request.

PLX-LF500112025P	Vinyl Backwash Hose 1½" x 25'	\$20.58
PLX-LF500112050P	Vinyl Backwash Hose 1½" x 50'	\$33.95
PLX-LF500112200P	Vinyl Backwash Hose 1½" x 200'	\$101.53
PLX-LF500200050P	Vinyl Backwash Hose 2" x 50'	\$41.95
PLX-LF500200100P	Vinyl Backwash Hose 2" x 100'	\$83.90



## Spectrum Hose Caddy

Holds up to 75' of 2" diameter hose, 175' of 1½" hose when correctly wound. Passivated to provide maximum corrosion resistance. [Ships FOB Factory.](#)

SPM-12500-00	Spectrum Stainless Steel Hose Caddy	\$2,964.19
--------------	-------------------------------------	------------



## Telescopic & Straight Vacuum Poles

Telescopic and straight poles to be used with most standard vacuum heads. Standard aluminum or fiberglass. [Some shipping restrictions apply.](#)

PEN-R191046	Telescopic- 8' to 15 1/2' Pole	\$79.59
PEN-R191066	Telescopic- 4' to 7 1/2' Pole	\$49.97
PEN-R191092	Commercial Fiberglass- 8' to 16'	\$184.44
PEN-R191090	Commercial Aluminum- 12' to 24'	\$138.77
PEN-R191106	Straight- 12' Aluminum Pole	\$61.30
PEN-R191116	Straight- 16' Aluminum Pole	\$81.79



## Pole & Hose Hangers

Pole and hose hangers for use around your pool deck and storage areas.

PEN-R221036	ABS Plastic Pole Hangers #145 (pair) (1)	\$14.04
PEN-R221042	Metal Pole Hangers (pair) (2)	\$21.16
PEN-R221046	ABS Vacuum Hose Hangers #165 (pair) (3)	\$21.08



## Vacuum Accessories

PEN-R201476	Snap-Adapt Handle (Fits all vacuums) (4)	\$11.24
PEN-R22001Z	Delrin Adapter Spring Clip (3)	\$4.20
PLX-CU9302100	1 1/2" Hose Coupling (1)	\$10.65
PLX-CU9012100	1 1/2" Hose Cuff (2)	\$8.73
PLX-CU9112100	2" Hose Cuff (2)	\$13.88



## Battery Powered Pool Vacuum

With minimum operating depth of 12 inches, the Hammer Head can easily handle almost any situation in your facility from lap pools to lazy rivers. This battery powered manually operated vacuum has a powerful patented design that can pick up large volumes of nearly anything off the floor of a pool. Now includes a charger. Requires vacuum pole and standard 12 volt deep-cycle marine battery, which are not included. [Ships FOB Factory.](#)

HAM-RESORT30	Hammer Head 30" Battery Powered Pool Vacuum	\$2,547.72
--------------	---	------------



## Commercial Filter Vacuums

These electric or gas powered filter vacuums combine ease of portability with high-powered suction and large capacity single filter cartridges. Supplied with Harmsco cartridge filter, cart, commercial pump, 50' of electrical cord, and 8 feet of 2" discharge hose. Specify 1 1/2" or 2" suction assembly. [Ships FOB Factory.](#)

REC-CC105178	105 sq ft filter; 1 HP electric pump; 115/230V	\$3,742.31
REC-CC155178	155 sq ft filter; 1 HP electric pump; 115/230V	\$3,876.62
REC-CC155350	155 sq ft filter; 3 HP gas pump	\$4,958.28





## **Dolphin LIBERTY Cordless Robotic Cleaners**

With unmatched cleaning efficiency and best-in-class water filtration, the Cordless LIBERTY™ Cleaners give you crystal clear, debris-free pool water.

### Both Models Include:

- Completely cordless with Inductive Charging
- Cleans floors, walls & waterline
- 1.5 hour default cycle time
- Fine filter kit
- 24 Month Manufacture Warranty

### Model 300 Additionally Includes:

- Combine Filter Kit
- Sound activated pick-up for removal
- Cycle option selector
- Eco Mode



MAY-99998100-US	Dolphin LIBERTY 200 Cordless Cleaner	\$999.00
MAY-99998150-US	Dolphin LIBERTY 300 Cordless Cleaner	\$1,249.00

## **Battery Powered Pool Cleaner**

Designed for quick, convenient, yet thorough cleaning. The lithium ion battery powered Max is designed to run up to 1 hour. The Max can be attached to most standard pool poles for extended reach, cleaning large areas with its removable 10 3/4" inch vacuum head or spot cleaning when the vacuum head is detached. Maintenance of the Pool Blaster MAX is a breeze with its easy empty bag.



WTE-30000ML	\$411.02
-------------	----------

## **Battery Powered Pool Cleaner**

Featuring an 8" vacuum head, the Catfish can be used to cover large areas of the pool, or the head can be removed, making the unit a powerful spot cleaner able to maneuver into corners and crevices smoothly. Small enough to navigate the waters of spas and fountains, but strong enough to clean pools, the Catfish can handle the toughest of messes with ease and efficiency. The lithium ion battery powered Catfish is designed to run up to 45 minutes.



WTE-20050CL	\$238.88
-------------	----------

## **Battery Powered Spa & Pool Cleaner**

The Aqua Broom is one of the most affordable battery powered pool and spa cleaners ever made. It is more powerful than any wand type cleaner and with its optional micro filter bag, it removes sand, silt and even algae. Operates on five D Cell batteries for up to 3 hours.



WTE-10000AB	\$118.11
-------------	----------

## **Spa Wand**

Clean your spa, pool steps, swim outs and other small bodies of water. An easy to use, hand held spa vacuum. It requires NO electricity, hoses or hook-ups. Simply pump handle to suck up dirt and debris.



APX-540000	Polaris Spa Wand, Blue, Plastic	\$153.80
APX-550000	Polaris Spa Wand Pro, Professional, Yellow, Fiberglass	\$219.52



# Automatic Pool Cleaners



## Professional Water Cleaning for all Public Pools

Gain heavy-duty pool and pool water cleaning performance with exceptional reliability. Dolphin commercial robots are electronic pool cleaners that promise – and deliver – long-term, cost-effective operation. With proven solutions for any commercial pool, from small public pools to the largest, professional and Olympic-sized pools, Dolphin is the ideal pool cleaner choice.



## Dolphin W20 Robotic Commercial Cleaner

The Maytronics Dolphin W20 robotic pool cleaner was designed specifically to clean shallow water pools with a minimum depth of eight inches. This low-profile robot is the perfect solution for fountains, reflection pools, and wading pools, including those with beach entry. The W20 takes the manual work out of cleaning your facility pool with its easy, plug-and-play operation. This robot has superior floor scrubbing and filtering capabilities so you can rest assured your guests are swimming in healthy, sparkling water.

- Designed for pools up to 68 feet
- Ideal for shallow water pools, requires only 8" deep water
- 1 & 3 hour cycle time options
- Fine filter bag with bottom loading
- Floor only cleaning
- Dual scrubbing brushes
- Includes caddy for easy portability and storage
- 78 foot Tangle-free cable
- 36 Month Manufacture Warranty



MAY-99996904-US

\$1,999.00



## Dolphin WAVE 60 Robotic Commercial Cleaner

A proven workhorse, the Maytronics Wave 60 robotic pool cleaner is the ideal solution for small hotel, condo, and apartment pools up to 50 feet. The Wave 60 saves you valuable time when it comes to maintaining your facility pool with its easy, plug-and-play operation. This robot ensures comprehensive cleaning with its superior filtering capabilities, and highly effective scrubbing of the floor, walls, and waterline. With the Wave 60, you can rest assured your guests are swimming in healthy, sparkling water.

- Designed for pools up to 50 feet
- Cleans floors, walls & waterline
- 1 & 2½ hour cycle time options
- Cartridge filters- fine & ultra-fine
- Includes caddy for easy portability and storage
- Dual scrubbing brushes
- 60 foot Tangle-free cable
- 24 Month Manufacture Warranty



MAY-99991060-US

\$1,699.00



## Dolphin WAVE 80 Robotic Commercial Cleaner

Engineered for power, the Maytronics Wave 80 robotic pool cleaner is the ideal solution for small to mid-sized condo, apartment, and neighborhood pools up to 68 feet. The Wave 80 saves you valuable time when it comes to maintaining your facility pool with its easy, plug-and-play operation. This robot is equipped with dual brushes and a center active brush for highly effective scrubbing of the floor, walls, and waterline. With comprehensive cleaning and superior filtering capabilities, you can rest assured your guests are swimming in healthy, sparkling water.

- Designed for pools up to 68 feet
- Cleans floors, walls & waterline
- 1½, 2½, & 3½ hour cycle time options
- Cartridge filters- fine & ultra-fine
- Remote control included
- Includes caddy for easy portability and storage
- Dual Scrubbing Brushes + Center Active Scrubber
- 78 foot Tangle-free cable
- 24 Month Manufacture Warranty



MAY-99991080-US

\$2,399.00

# Automatic Pool Cleaners



## Dolphin WAVE 100 Robotic Commercial Cleaner

Powerful with a purpose, the Maytronics Wave 100 commercial robotic pool cleaner was designed for mid-sized pools up to 88 feet, such as those found in gyms, fitness clubs, YMCAs, and water parks. The Wave 100 saves valuable time when it comes to maintaining your facility pool with its easy operation and multiple cleaning options. This robot ensures comprehensive cleaning with its superior filtering capabilities, and highly effective scrubbing of the floor, walls, and waterline.

- Designed for pools up to 88 feet
- Cleans floors, walls & waterline
- 4, 6, & 8 hour cycle time options
- Fine & ultra-fine, bottom load filtration
- Remote control included
- Includes caddy for easy portability and storage
- Dual Scrubbing Brushes
- 98 foot Tangle-free cable
- 24 Month Manufacture Warranty

MAY-9999096X-USW

\$3,999.00

**wave**100



## Dolphin WAVE 120 Robotic Commercial Cleaner

Designed for large pools up to 121 feet, put the power of two robots to work at once with the Maytronics Wave 120 commercial robotic pool cleaner. Ideal for universities, YMCAs, and water parks, the Wave 120 saves you valuable times when it comes to maintaining your facility pool with its easy operation and multiple cleaning options. With superior filtering capabilities and an extra-wide cleaning path, this cleaner expertly cleans the pool with maximum effectiveness and efficiency, ensuring sparkling, healthy swimming water for your guests to enjoy.

- Designed for pools up to 121 feet
- Cleans floors, walls & waterline
- 4, 6, & 8 hour cycle time options
- Fine & ultra-fine, bottom load filtration
- Remote control included
- Includes caddy for easy portability and storage
- Quad Scrubbing Brushes
- 131 foot Tangle-free cable
- 24 Month Manufacture Warranty

MAY-9999359-W120

\$6,499.00

**wave**120



## Dolphin WAVE 140 Robotic Commercial Cleaner

Extra-wide for maximum cleaning efficiency, the WAVE 140 is the perfect solution for large university, fitness clubs, YMCA, and resort pools up to 127 feet, including those with beach entry. The WAVE 140 helps minimize downtime due to cleaning with its plug-and-play, fully automated operation, and multiple cleaning options, keeping your pool open for guests to enjoy. With a wide cleaning path of 22 inches, the Wave 140 excels at floor scrubbing and heavy-duty dirt collection, for an ultimate clean swimming pool.

- Designed for pools up to 127 feet
- Floor only cleaning
- 4, 5, & 6 hour cycle time options
- Fine top loading filter cartridge
- Remote control included
- Includes caddy for easy portability and storage
- Dual Scrubbing Brushes
- 137 foot Tangle-free cable
- 36 Month Manufacture Warranty

MAY-99997140-US

\$6,999.00

**wave**140





# Automatic Pool Cleaners



## Dolphin WAVE 200XL Robotic Commercial Cleaner

Designed for pools up to 127 feet, including those with beach entry, the Wave 200XL provides a superior cleaning performance. This cleaner is equipped with a two-level cyclonic filtration system that effectively removes all types of debris. This outstanding filtration system paired with enhanced floor scrubbing capabilities, leaves your pool water exceptionally clean and healthy. With the ability to customize up to four different the cleaning parameters, the Wave 200XL makes it easy to maintain all your facility pools using a single robot.

- Designed ideally for pools up to 127 feet
- Floor cleaner only
- Programmable for 1 to 8 hour cleaning cycles
- Coarse & Ultra-Fine Cyclonic Filtration System
- Remote control included
- Customize cleaning parameters for up to four pools
- Includes caddy with auto cable release reel
- Multi-pattern scanning with line-by-line cleaning process
- Dual Scrubbing Brushes
- 137 foot Tangle-free cable
- 36 Month Manufacture Warranty

MAY-99997201-US

\$8,999.00

## wave 200 XL



## Dolphin WAVE 300XL Robotic Commercial Cleaner

Designed for Olympic competition facilities and other large pools up to 154 feet, including those with beach entry, the Wave 300XL takes the challenges out of pool maintenance. This cleaner provides the highest level of filtration and floor scrubbing capabilities in its class. With the ability to program up to four different cleaning parameters, the Wave 300XL gives you the convenience of using a single robot to clean multiple pools. Get the most out of your investment and a gold medal clean for your facility's swimming pool.

- Designed ideally for pools up to 154 feet
- Floor cleaner only
- Programmable for 1 to 8 hour cleaning cycles
- Coarse & Ultra-Fine Cyclonic Filtration System
- Remote control included
- Customize cleaning parameters for up to four pools
- Includes caddy with auto cable release reel
- Multi-pattern scanning with line-by-line cleaning process
- Dual Scrubbing Brushes
- 164 foot Tangle-free cable
- 36 Month Manufacture Warranty

MAY-99997006-50M

\$12,599.00

## wave 300 XL



## Dolphin Vacuum Common Replacement Parts

Vacuum Model:	Replacement Filter Bags & Cartridges		
WAVE100, WAVE 2X2, Dolphin HD, Dolphin 3001, Dolphin PRO X2, Dolphin 2X2	MAY-9995430-R1	Filter Bag 50 Micron	\$66.81
	MAY-9991440-R2	Filter Bag, Disposable 2 Pack	\$46.42
WAVE75	MAY-9991408-R4	Filter Cartridge, 4 Pack	\$82.50
Vacuum Model:	Replacement Brushes & Foam Rings		
WAVE75, WAVE100	MAY-6101656-R4	Brush- Climbing Grey, 4 Pack	\$64.46
WAVE 2X2	MAY-6101641-R2	Brush, Climbing Grey, 2 Pack	\$38.68
Dolphin HD, Dolphin 3001, Dolphin 2X2	MAY-6101660-R2	Brush, Climbing Blue, 2 Pack	\$38.68
Dolphin PRO X2	MAY-6101655-R4	Brush, Climbing Blue, 4 Pack	\$64.46
WAVE75, WAVE100, WAVE 2X2, Dolphin HD, Dolphin PRO X2, Dolphin 2X2	MAY-6101611-R4	Climbing Rings, 4 Pack	\$44.40
Vacuum Model:	Replacement Drive Tracks/Belts		
WAVE75, WAVE100, WAVE 2X2, Dolphin DX3	MAY-9985006-R2	Tracks, Grey Long, 2 Pack	\$52.29
Dolphin HD, Dolphin 3001, Dolphin PRO X2, Dolphin 2X2	MAY-9985007-R2	Tracks, Yellow Long, 2 Pack	\$54.12



## Magic Lube

Magic lube is a teflon based, multi-purpose sealant and lubricant that can be used in both wet and dry environments with a temperature range of 10° - 145° F. Magic Lube forms a durable adhesive film. Ideal for use on swimming pool and spa equipment o-rings.



ALL-630EA	1 oz. Tube	\$7.41
ALL-631EA	5 oz. Tube	\$17.05

## Boss 801 Neutral Cure Silicone Adhesive

Oxime-cure adhesive and sealant. Excellent adhesion to spa jets, skimmers, plumbing, tile, and lighting fixtures. Also adheres well to fiberglass, ABS, acrylic, PVC and wood. [Colors: White or Clear.](#)



BOS-80101	Tube "White"	\$44.72
BOS-80100	Tube "Clear"	\$40.76

## NP-1 Outdoor Masonry Caulk

NP-1 is a one-part, moisture curing gun grade textured polyurethane sealant. It is durable, flexible and offers excellent performance in active outdoor joints. It is an excellent general purpose sealant and is ideal for use in swimming pool and spa deck and coping stone expansion joints. Each tube will cover 12' in a 1/4"x1/2" expansion joint. 10.1 fluid ounce cartridge. [Color: Natural Stone.](#)



1H-CAU02G	Tube "Gray"	\$24.75
1H-CAU02W	"White"	\$24.75

25% Discount Case Quantities  
(30 tubes per case)

## Mr. Sticky Underwater Epoxy

Mr. Sticky Underwater Epoxy is a new generation of epoxy which can be applied and cured wet or dry. Even submerged! Can strongly bond PVC, ABS, fiberglass, glass, wood, metals, plastics, ceramics, and masonry.



MSI-001327	1 oz. Tube	\$21.10
------------	------------	---------

## Boss 323 Blue Silicone Gasket Adhesive

Cures to a tough rubbery solid to create any size gasket in minutes. Use on cover plates, hose connections, and valve covers to provide a waterproof seal. Intermittent use to 550°F. Excellent resistance to weather, temperature extremes, and caustic environments.



BOS-32308	8 oz. Tube	\$53.28
-----------	------------	---------

## 3M 847 Scotch-Grip Rubber & Gasket Adhesive

A premium quality multi-purpose adhesive. Develops strong flexible bonds very rapidly to a wide variety of substrates, including many plastics and rubbers, gasket materials and leather. Ideal for use on multiport gaskets.



GRA-3M847	5 oz. Tube	\$52.75
-----------	------------	---------

## LEAKMASTER Epoxy Putty

Hand mold-able epoxy putty in a convenient "one stick" format hardens above or below water. Standard cures white in 20-60 minutes. Quick Set cures off-white in 5 minutes.



AND-PQ501	Quick Set Epoxy 4 oz. Tube	\$18.69
AND-PP701	Standard Epoxy 4 oz. Tube	\$18.69

## Safety Tape

INC-RE3951	Gator Grip Safety Grit Tape 2" x 15' - Black	\$37.18
------------	--	---------





# Maintenance Supplies

## Anti-Electrolysis Weight

The Anti-Electrolysis Weight is designed to stop metal erosion, and plaster discoloration due to electrolysis. Keeps skimmer basket in place. Bolts permanently inside or outside any skimmer basket.



POT-104A	Anti-Electrolysis Weight	\$28.50
----------	--------------------------	---------

## Anti-Electrolysis Zinc Anode

Eliminates plaster staining and metal corrosion due to electrolysis. The anti-electrolysis zinc anode bolts to ladders or grab rails below the water line. Sacrificial zinc anode gives up its' ions before other metals in the pool. Zinc will not stain plaster.



POT-104B	Anti-Electrolysis Zinc Anode	\$55.50
----------	------------------------------	---------

## Inline Anti-Electrolysis Zinc Anode

The inline zinc anode is attached to the bonding wire thereby protecting all metal parts against the effects of electrolysis. The see through housing allows the anode to be easily replaced when depleted. No re-plumbing required. For 1½" or 2" PVC.



POT-104C-1	Inline Anti-Electrolysis Zinc Anode – 1½"	\$165.00
------------	---	----------

POT-104C-2	Inline Anti-Electrolysis Zinc Anode – 2"	\$165.00
------------	--	----------

POT-104R-KIT	Replacement Anode Kit (Anode, Rod, Cap & O-ring)	\$120.75
--------------	--	----------

## Pool Light Anti-Electrolysis Zinc Anode

The pool light anti-electrolysis zinc anode is designed to attach to any pool or spa light. The sacrificial zinc anode gives up its' ions before the metal in the lights extending the life of any underwater light. No modifications to light required.



POT-104-F	Pool Light Anti-Electrolysis Zinc Anode	\$30.00
-----------	---	---------



## Two-Part, Gun Grade Joint Sealant

DECK-O-SEAL gun grade can be used for general purpose caulking of joints and seams (both above and below water), glazing, weatherproofing, exterior curtain wall sealing, and interior or exterior expansion joint sealing. All submerged applications must be primed with P/G PRIMER. 96 Fl. Oz. Kit. Coverage approximately ½" x 58 linear feet per kit. [Color Options: Dura-White, Stone Gray, Desert Tan.](#)



DEC-4702031	Dura-White	\$308.41
-------------	------------	----------

DEC-4702032	Stone Gray	\$308.41
-------------	------------	----------

DEC-4702033	Desert Tan	\$308.41
-------------	------------	----------

## Poly-Void Flexible Expansion Foam

Poly-Void is a dimensionally cut polyethylene joint filler material that offers dual functions. Poly-Void serves as a vertical joint filler material and when the pre-cut tear away is removed, it provides a void for joint sealants.

STE-PV12BEA	¼" x 120' Roll	\$66.70
-------------	----------------	---------

STE-PV14BEA	½" x 60' Roll	\$66.70
-------------	---------------	---------



## Dynamite Pool Patch

Mixture of Portland cement and special additives that permits underwater plaster patching and general concrete repair work to be done instantly. Can be used wherever a quick setting caulking or plugging material is needed.



SGM-PLBPP49	9 lb. Pail	\$37.42
SGM-PLBPP60	60 lb. Pail	\$107.43

## MasterSeal 590 Water-Stop Repair Mortar

MasterSeal 590 is a one-component, quick-setting, Portland-cement-based hydraulic repair mortar that instantly stops running water through holes or cracks in concrete or masonry. It expands as it sets to lock into place even under constant water pressure.



1H-HYD03	10 lb. Can	\$50.00
1H-HYD04	50 lb. Pail	\$200.00

## Pool Plaster

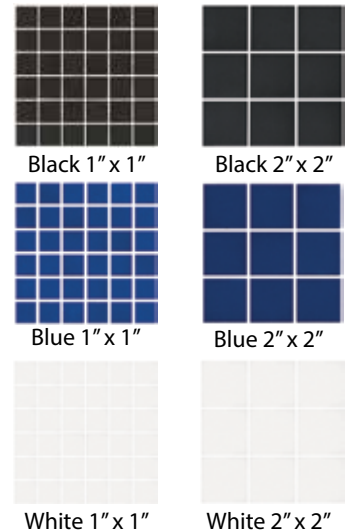
Commonly stocked plaster finishes. Contact us for additional colors and plaster types.

SGM-PBC309	Diamond Brite- Blue Quartz, 80 lb. Bag	\$55.00
AGS-POBLUPBBLAG-B80	Ultra Pearl Brite- Pearl Blue, 80 lb. Bag	\$55.00
AGS-POBLUPBWHAG-B80	Ultra Pearl Brite- Pearl White, 80 lb. Bag	\$55.00



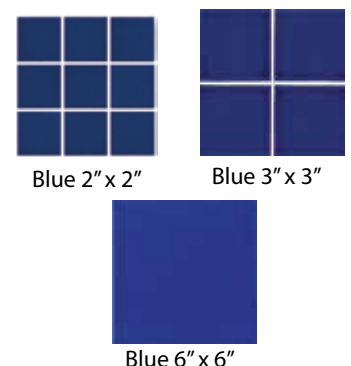
## Non-Glazed Field Tile

TILE-BLK1X1-NG	Black Non-Glazed Field Tile, 1" x 1", per square foot	\$15.00
TILE-BLK2X2-NG	Black Non-Glazed Field Tile, 2" x 2", per square foot	\$15.00
TILE-BLK2X2-NG-BN	Black Non-Glazed Bull Nose Tile, 2" x 2", per linear foot	\$18.00
TILE-BLU1X1-NG	Blue Non-Glazed Field Tile, 1" x 1", per square foot	\$16.00
TILE-BLU2X2-NG	Blue Non-Glazed Field Tile, 2" x 2", per square foot	\$16.00
TILE-BLU2X2-NG-BN	Blue Non-Glazed Bull Nose Tile, 2" x 2", per linear foot	\$17.00
TILE-WHT1X1-NG	White Non-Glazed Field Tile, 1" x 1", per square foot	\$15.00
TILE-WHT2X2-NG	White Non-Glazed Field Tile, 2" x 2", per square foot	\$15.00



## Glazed Porcelain Tile

TILE-BLU2X2	Cobalt Blue Glazed Tile, 2" x 2", per square foot	\$16.00
TILE-BLU3X3	Cobalt Blue Glazed Tile, 3" x 3", per square foot	\$19.00
TILE-BLU6X6	Cobalt Blue Glazed Tile, 6" x 6", per square foot	\$16.00



Many additional tile selections available. Please call for information.

## Paralon 2 - Chlorinated Rubber Pool Paint

PARALON 2 is premium grade chlorinated rubber pool enamel. This coating is recommended for refinishing existing chlorinated rubber coatings. It is an attractive, low sheen, rubber-base pool enamel with high water resistance. Two coats of PARALON 2 are required for best results. On unusually porous, bare surfaces like concrete or plaster, a third coat may be necessary.

Coverage: 250-275 Square feet per gallon

	White	Blue Mist	Blue Ice	Bikini Blue	Black	
1 Gallon	White, Blue Ice, Blue Mist, Bikini Blue, Black					\$142.80
5 Gallon Pail	White, Blue Ice, Blue Mist, Bikini Blue					\$599.45



## Hydrolon Acrylic Pool Paint

HYDROLON is a water-reducible acrylic enamel designed for fast easy application on bare concrete or plaster and over an old rubber base finish. HYDROLON can be applied to damp surfaces and has no solvent vapors. The unique properties of HYDROLON make it perfect for seasonal commercial application or for use in indoor facilities. Two coats are required but a third may be necessary for unusually porous bare surfaces.

Coverage: 250-300 Square feet per gallon

	White	Blue Mist	Blue Ice	Bikini Blue	Black	
1 Gallon	White, Blue Ice, Blue Mist, Bikini Blue, Black					\$122.85



## Patio Tones - Makes Your Patio or Deck New Again

PATIO TONES will greatly enhance the beauty of any concrete patio or pool deck. PATIO TONES adds life as well as protection. PATIO TONES is also excellent for the restoration of sprayed and patterned concrete surfacing systems. Simply make any necessary repairs, clean the deck according to label instructions, and roll on PATIO TONES. The acrylic formula lets you prepare and coat in one day. The result will be a surface that is safe, beautiful and protected. Two coats required on initial application. Covers Unsightly Repairs with a Non-Slip Finish.

Coverage: 90-125 Square feet per gallon

	Ivory	Champagne	Warm Biscuit	Silk Straw	Desert Sun	Sand Valley	Mystic Gray	Creekstone	
1 Gallon	Ivory, Champagne, Warm Biscuit, Silk Straw, Desert Sun, Sand Valley, Mystic Gray, Creekstone							\$88.20	



## Super Convoy Non-slip Diving Board Kit

Helps provide sure footing to worn out diving boards. Each Diving Board Kit contains one quart of Super Convoy, one pint thinner, one roller cover and complete instructions. Can be applied to fiberglass, aluminum or wood with excellent results.

Kit	White, Blue Ice, Bikini Blue	\$108.15
-----	------------------------------	----------



## Painting Repair & Maintenance Products

KEL-1108-1	Rubber Base Paint Solvent- Gallon	\$90.75
KEL-962-1	Pox-o-Fill Concrete Patch- Gallon	\$124.95
KEL-1109-1	Solvent for use with ZERON or POXOLON	\$86.63



Visit [kelleytech.com](http://kelleytech.com) for additional information.



### Poxoprime II Epoxy Primer

POXOPRIME II is a epoxy primer for application over smooth, uncoated concrete or plaster. Do not apply over old coatings or rough surfaces. Seals surfaces, reduces downtime, and applies to wet surface.

Coverage: 200-250 square feet per gallon

KEL-214-1	1 Gallon	\$122.85
-----------	----------	----------



### Gunzite Epoxy Primer

GUNZITE is a two-part epoxy primer for application over fiberglass, rough plaster, concrete and sandblasted surfaces.

Coverage: 110-150 square feet per gallon

KEL-216-1	1 Gallon	\$122.85
-----------	----------	----------



### Fusion Plus Epoxy Conversion Coating

FUSION PLUS is the smart way to convert your worn rubber-base coated pool to an epoxy finish. Simply clean surface, roll on FUSION PLUS, then follow with one coat of ZERON or two coats of POXOLON. Your rubber-to-epoxy finish will be beautiful, and will last for years.

Coverage: 225-250 square feet per gallon

KEL-260-1	1 Gallon	\$133.35
-----------	----------	----------



### Poxolon 2 Epoxy Pool Paint

POXOLON 2 is a high gloss epoxy pool coating that is easy to apply and should yield up to five years of service. This finish is very easy to clean and maintain. You may use POXOLON 2 on most conventional pool surfaces with excellent results. Uncoated pool surfaces will require a prime coat to ensure good adhesion. Use with primer on concrete, plaster, fiberglass and metal pools. Two finish coats of POXOLON 2 are required in all cases. POXOLON 2 may be applied by either airless sprayer or roller.

Coverage: 225-250 Square feet per gallon

	<b>White</b>	<b>Blue Mist</b>	<b>Blue Ice</b>	<b>Bikini Blue</b>	<b>Black</b>	
1 Gallon	White, Blue Ice, Blue Mist, Bikini Blue, Black					\$179.55



### Zeron Epoxy Pool Paint

You can expect up to eight years of service from one application of this product. The greatest advantage of the ZERON system is that it only requires one coat. ZERON is a heavier bodied material than POXOLON so it will require a little more effort in its application and will not spread as far. However, due to the extremely long life of ZERON, the cost per year of service is lower than any other pool coating available. The finished surface will stay brighter and will be easier to keep clean than a plastered pool.

Coverage: 125-150 Square feet per gallon

	<b>White</b>	<b>Blue Mist</b>	<b>Blue Ice</b>	<b>Bikini Blue</b>	<b>Black</b>	
1 Gallon	White, Blue Ice, Blue Mist, Bikini Blue, Black					\$191.10



Visit [kelleytech.com](http://kelleytech.com) for additional information.



# Water Slide Maintenance

## SlideRenu® Calcitrol Scale Remover

Low-pH concentrated ready-to-use formula removes calcium and hard water mineral deposits (white haze). Prepares your slide for waxing, joint repairs or resurfacing. Environmental and worker safe organic salt formula that is stronger than most surface damaging acids.



SLI-SR33128	Gallon	\$134.96
-------------	--------	----------

## SlideRenu® SlideDetergent Cleaner

High-pH water-based technology that dissolves hard-to-remove surface contaminant. Extremely effective in dissolving dirt, leaf stains, body-grime, water shoe marks and other unwanted surface residue. Biodegradable - no VOC's, petroleum solvents, bleach or ammonia.



SLI-SR22128	Gallon	\$78.71
-------------	--------	---------

## SlideRenu® SlideSoap Cleaner

Removes dirt, grime and stains from any slide surface. Used regularly, prevents build-up of surface contaminants and soluble salts. Biodegradable, worker safe, no VOC's - does not change the pH of pool water.



SLI-SR11128	Gallon	\$56.21
-------------	--------	---------

## SlideRenu® SlideGloss Sprayable Wax

Easy to apply sprayable wax requires no buffing; spray on and wipe off. Unique wetting agents produce a bright wet-look shine that lasts. Can be applied anytime your slides are in need of a quick "face lift". Improves "slip-n-shine".



SLI-SR55128	Gallon	\$112.46
-------------	--------	----------

## SlideRenu® SlideWax Water Slide Wax

Unique nanotechnology polymer wax sealant that revives dull slide surfaces. Outperforms carnauba, car and marine waxes. Reconditions dry oxidized surfaces.



SLI-SR66128	Gallon	\$179.96
-------------	--------	----------

## SlideRenu® SlideCompound Oxidation Remover

Restores and re-hydrates, leaving the surface brilliantly glossy and smooth. One gallon will typically polish 2,000 sq.ft. Three products in one: compound, polish and sealant. Best if use before and after season. For maximum protection apply SlideWax after use.



SLI-SR44128	Gallon	\$134.96
-------------	--------	----------

## SlideRenu® SlidePutty Glazing Putty

Polyester glazing putty fills minor surface imperfections on fiberglass water slides. Use to repair gouges, scratches, spider-cracks and surface blemishes without the use of a mesh cloth. No shrinkage, fast drying and may be sanded or painted after one hour.



SLI-SR01105	Quart	\$67.49
-------------	-------	---------

## SlideRenu® SlideCaulk Joint Sealer

A fast curing, one-part polyurethane that chemically reacts with moisture to deliver strong, flexible bonds with excellent adhesion to wood and fiberglass. Forms watertight, weather-resistant seals on joints and hardware above and below the waterline.



SLI-SR291FC	Tube	\$24.40
-------------	------	---------

## SlideRenu® SlideTape Safety Tape

Suitable for stairs, pool decks, ladders and diving board platforms. Tolerates pressure washing, resists chlorine water and most cleaners. Extra strength contact adhesive prevents "edge curl".



SLI-SR71060	6 Foot Roll	\$44.99
-------------	-------------	---------



A



B



C



D



E



F



G



H



I



J



K



L

Key	Required by MN or WI?	Item #	Description	Size (WxL)	Material	Price
A	MN	NSS-2436MNA	Pool Rules Sign - Minnesota	24" x 36"	PVC	\$45.75
A	WI	NSS-WI1	Pool Rules Sign - Wisconsin	24" x 36"	PVC	\$45.26
B	MN	NSS-2436MNB	Spa Rules Sign - Minnesota	24" x 36"	PVC	\$45.75
B	WI	NSS-WI2	Spa Rules Sign - Wisconsin	24" x 36"	PVC	\$45.26
C		NSS-1824MN	Warning No Lifeguard Sign	18" x 24"	PVC	\$22.50
D	MN	NSS-SW20	Caution No Diving Sign	12" x 18"	PVC	\$15.60
E	MN	NSS-SW47	For Emergency Use Only Sign	12" x 9"	PVC	\$11.20
F	MN and WI	NSS-SW15	Pool Capacity Sign	18" x 12"	PVC	\$15.60
G	MN and WI	NSS-SW16	Spa Capacity Sign	18" x 12"	PVC	\$15.60
H		NSS-SW10	Pool Closed Sign	18" x 12"	PVC	\$15.60
I		NSS-SW10A	Spa Closed Sign	18" x 12"	PVC	\$15.60
J	MN and WI	AQT-6604WS1824E	Warning- No Diving Sign	18" x 24"	PVC	\$43.32
J	MN and WI	AQT-6604WA1824E	Warning- No Diving Sign	18" x 24"	Aluminum	\$73.18
K	MN and WI	AQT-1107WS1824E	Warning- No Lifeguard Sign	18" x 24"	PVC	\$43.14
K	MN and WI	AQT-1107WA1824E	Warning- No Lifeguard Sign	18" x 24"	Aluminum	\$81.82
L		NSS-SW36	Danger Chemical Storage Sign	18" x 24"	PVC	\$22.50



A



B



C



D



E



F



G



H



I



J



K



L



M



N



O



P



Q

Key	Required by MN or WI?	Item #	Description	Size (WxL)	Material	Price
A		NSS-SW29	Shallow Water No Diving Sign	18" x 24"	PVC	\$22.50
B		NSS-TC21	Emergency 911 Sign	12" x 9"	PVC	\$11.20
C	MN	NSS-SW40	Emergency Shutoff Switch Sign	12" x 9"	PVC	\$11.20
D		NSS-SW22	No Food or Beverage Sign	18" x 12"	PVC	\$15.60
E		NSS-1812WA	Watch Your Children Sign	12" x 18"	PVC	\$13.00
F		NSS-SW13	No Diving Allowed Sign	18" x 12"	PVC	\$15.60
G		NSS-SW11	Please Shower Sign	18" x 12"	PVC	\$15.60
H		NSS-SW12	Swim At Your Own Risk Sign	18" x 12"	PVC	\$15.60
I		NSS-SW9	Pool Reserved For Tenants Sign	18" x 12"	PVC	\$15.60
J		NSS-SW7	Keep Gate Closed Sign	18" x 12"	PVC	\$15.60
K		NSS-SW21	No Running Sign	18" x 12"	PVC	\$15.60
L		NSS-SW41	Pool Hours Sign	12" x 9"	PVC	\$11.20
M		SNS-SW14	Emergency Phone Location Sign	12" x 18"	PVC	\$15.60
N		SPS-7794	Handicap Lift Sign	14" x 10"	PVC	\$29.38
O		NSS-SW46	No Food or Drink Sign	9" x 12"	PVC	\$11.20
P		NSS-SW44	No Glassware Sign	9" x 12"	PVC	\$11.20
Q		NSS-SW43	No Running Sign	9" x 12"	PVC	\$11.20

## Vinyl Stick-on Depth & Safety Markers

Stickons are made of an industrial grade, skid resistant vinyl material. They are a professional alternative when doing depth and safety marker renovations. Vinyl Stickons adhere over most deck surfaces, including existing tile and eliminate stenciling or other costly installations. Vinyl Stickons are for above water use only, and should be installed with the installation kit. **Note: 6" x 6" or 8" x 8", Skid Resistant Surface, White Background, Black Print, and English and Metric Available.**

		6" x 6"	8" x 8"
INL-V*****	Skid Resistant Tiles	\$19.20	\$32.85
0 FT – 11 FT; 0 IN – 11 IN - 1/2 FT Increments Available			
INL-V621500	No Diving Image	\$21.76	
INL-V621505	No Running Image	\$21.76	
INL-V621510	Slippery When Wet Image	\$21.76	
INL-V622000	6" x 24" NO DIVING		\$67.20
INL-V004000	Vinyl Installation Kit		\$71.50
INL-V004010	Spray Adhesive		\$37.13
INL-V004015	Edge Sealer		\$27.50

## Ceramic Depth & Safety Markers

There are smooth tiles for the waterline and skid resistant tiles for deck or gutter applications. These tiles are frost resistant and printed with ceramic glaze inks, then kiln fired to ensure the finest most durable depth and safety marker line available. **Note: 6" x 6" or 8" x 8", White Background, Black Print, and English and Metric Available.**

		6" x 6"	8" x 8"
INL-C*****	Skid Resistant Tiles (Deck)	\$16.16	\$32.00
0 FT – 11 FT; 0 IN – 11 IN - 1/2 FT Increments Available			
INL-C*****	Smooth Tiles (Water Line)	\$15.20	
0 FT – 11 FT; 0 IN – 11 IN - 1/2 FT Increments Available			
INL-C621500	No Diving Image (Non-skid)	\$19.04	
INL-C611500	No Diving Image (Smooth)	\$18.24	
INL-C621505	No Running Image (Non-skid)	\$19.04	
INL-C621510	Slippery When Wet Image (Non-skid)	\$19.04	

## Glass Overlay Depth & Safety Markers

The Glass Overlays have beveled edges, a smooth surface and a thin profile. They can be installed over most surfaces including tile, fiberglass, paint, vinyl liner, etc. Use of our Glass Overlay installation kit will ensure an easy and permanent solution. **Note: 6" x 6", Smooth Surface, White Background, Black Print, and English and Metric Available.**

		6" x 6"
INL-G*****	Glass Overlay Tile	\$19.20
0 FT – 11 FT; 0 IN – 11 IN - 1/2 FT Increments Available		
INL-G611500	No Diving Image	\$21.76
INL-G004000	Glass Overlay Installation Kit	\$34.65
INL-G004010	Glass Overlay Caulk Adhesive	\$24.75



### Metric Conversion Table

1' = 0.3 M	5 1/2' = 1.7 M	10' = 3.0 M
1 1/2' = 0.5 M	6' = 1.8 M	10 1/2' = 3.2 M
2' = 0.6 M	6 1/2' = 2.0 M	11' = 3.4 M
2 1/2' = 0.8 M	7' = 2.1 M	11 1/2' = 3.5 M
3' = 0.9 M	7 1/2' = 2.3 M	12' = 3.7 M
3 1/2' = 1.1 M	8' = 2.4 M	12 1/2' = 3.8 M
4' = 1.2 M	8 1/2' = 2.6 M	13' = 4.0 M
4 1/2' = 1.4 M	9' = 2.7 M	13 1/2' = 4.1 M
5' = 1.5 M	9 1/2' = 2.9 M	14' = 4.3 M



# Pool Safety Equipment

## Life Hook

Anodized aluminum life hook fits standard cam, non-extendable straight pole.

Brass nut & bolt sold separately. 2 Required.

Health Code Requirement for Commercial Pools.



PEN-R221026	Life Hook	\$42.36
PEN-R221156	Brass Nut & Bolt	\$4.80

## Straight Poles

Seamless straight pole required for life hooks.

Some shipping restrictions apply.

Health Code Requirement for Commercial Pools.



PEN-R191106	12' Pole	\$61.30
PEN-R191116	16' Pole	\$81.79

## Life Rings - Coast Guard Approved

Marine grade, weather resistant life rings for safety use at aquatic facilities and commercial pools.

Throw line sold separately.

Health Code Requirement for Commercial Pools.



JBV-GW-24	24" Life Ring	\$145.50
JBV-GW-30	30" Life Ring	\$175.66

## Heaving Line w/ Buoy Holder

30' or 60' heaving line with float and buoy holder. Heaving lines are to be attached to life rings. Must be 1 1/2 times the width of the pool up to 60 feet.

Health Code Requirement for Commercial Pools.



PSL-375	30' Line	\$26.29
PSL-374	60' Line	\$35.46

## Life Ring/Ring Buoy Hanger

This quality ring buoy holder is made from T-304 stainless steel and mounts to a wall or a lifeguard chair. The throat on the ring buoy holder is 4", large enough to store the required throw line as well.



HPS-RBH01	Each	\$20.65
-----------	------	---------

## JIM-BUOY Life Ring, Line & Cabinet Set

24" or 30" White Life Ring with White Cabinet and 60' or 100' heaving line. Cabinet features an unbreakable polycarbonate window with stainless steel hinge and fittings. Additional colors and line lengths available.



JBV-5050A-60-WW	24" Ring w/ 60' Line	\$467.63
JBV-5050A-100-WW	24" Ring w/ 100' Line	\$485.56
JBV-5070A-60-WW	30" Ring w/ 60' Line	\$594.63
JBV-5070A-100-WW	30" Ring w/ 100' Line	\$612.56

## KEMP Marine Rescue Cans

Our cans have the thickest walls for strength, a heavy duty 2" nylon strap and 10' of 1/32" line. The 28" rescue can is for single victim rescue and the 34" rescue can is for multi victim rescue.



KEM-10-220	Rescue Can 28"	\$102.00
KEM-10-221	Rescue Can 34"	\$104.00

## KEMP Rescue Tubes

The 40" is the most popular rescue tube. It is best used for pools or lake fronts. Not recommended for oceans or water parks. The 50" tube is the preferred choice of the American Red Cross and the standard rescue tube used by guard training agencies. Best used for pools, water parks and guard training. Standard color is Red. Additional colors and customization available.



KEM-10-202-RED	40" Rescue Tube	\$69.70
KEM-10-201-RED	50" Rescue Tube	\$75.50
KEM-10-207-RED-YMCA	40"YMCA Tube	\$72.40



## Spine Board Assembly

The KEMP AB Spine board is an economical yet extremely strong board. The shell of the board is heavy duty and is x-ray translucent. The board comes with 21 hand holds and 8 pins for your strapping needs. The spine board is waterproof and excellent for water rescue. The weight capacity of this board is 700lbs. It's made of durable polyethylene.

[Health Code Requirement for Commercial Pools with Lifeguards.](#)



KEM-10-993-RED	Spine Board, Red	\$210.00
KEM-10-001-RED	Head Immobilizer, Red	\$110.00
KEM-10-302-BLK	2 Piece Strap, Black (3 sets required, each board)	\$11.00

## First Aid Kits

These KEMP First Aid Kits meet many state codes. They include all necessities such as adhesive strips, tape, first-aid cream, gauze, compresses, gloves, iodine swabs, insect sting swabs, ice packs, absorbent compress, eye dressing, etc. 24 unit (35 person) kit contains 227 items. 36 unit (50 person) kit contains 327 items.



KEM-10-705	24 Unit Kit	\$70.00
KEM-10-706	36 Unit Kit	\$90.00

## Bloodborne Pathogen Kits

Comes with fluid-solidifying powder, bio-scoop with detachable scraper, bio-hazard bag with tie, germicidal cloth, medical grade gloves, BZK towelette, trash bag with tie, and paper towels, all in a sealed pouch. This kit also features an eye shield and gown. Available in a case or plastic bag.



KEM-10-597	Kit in Case	\$25.00
KEM-10-599	Kit in Bag	\$14.00

## CPR Pocket Mask- Adult/Child Combo

The Adult and Child Combo CPR Mask comes with standard CPR Mask and includes the child adapter cuff which is proper for giving CPR to small faces. This kit includes nitrile gloves and wipes.



KEM-10-526	Kit in Bag	\$13.20
------------	------------	---------

## First Aid Blanket

This 30% wool first aid blanket is a great all around blanket that can be used in emergencies or any other situation. Dimensions are 60" x 84". [Additional options include 50% and 80% wool or prepackaged in a wall mountable bag.](#)



KEM-10-604	Blanket	\$14.00
------------	---------	---------

## Guard Essentials Hip Pack

The Guard Essentials Hip Pack comes with many essentials lifeguards and first responders need. Included in the pack are a hip pack, CPR mask, foil blanket, Bengal 60 whistle with break-a-way safety lanyard, and vinyl gloves.



KEM-10-103-RED-S2	Hip Pack	\$25.80
-------------------	----------	---------

## Bengal 60 Whistle & Break-A-Way Lanyard

The Bengal 60 Guard Whistle is designed to be heard above ambient noise, the roar of engines, breaking waves and thundering gale-force winds. The chambers are designed to self-clear when submerged in water. There are no moving parts to freeze, jam or deteriorate. Break-A-Way lanyards keep guards safe by snapping off when snagged or pulled on. [Additional color options available.](#)



KEM-10-426-RED	Whistle, Red	\$3.30
KEM-10-430-BLK	Lanyard, Black	\$2.50



# Pool Safety Equipment

## Safety Float Line - Complete

Completely assembled safety float line. Includes 20 feet of 3/8" poly rope, 3"x5" non-sliding poly floats, CPB rope hook, and is fit for adjusting line length.



PEN-R181206	20' Safety Float Line	\$81.90
-------------	-----------------------	---------

## Safety Floats

Polyethylene floats are available in blue and white. They feature a durable, unsinkable design.



PEN-R181016	3"x5" Blue and white Float (1/2" Rope)	\$6.60
-------------	--	--------

PEN-R181086	5"x9" Blue and white Float (3/4" Rope)	\$11.76
-------------	--	---------

## Float Keepers

Float keepers secure oval floats to 1/2" or 3/4" rope. Includes 2 spit keepers and 2 stainless steel screws to attach one pool float.



PEN-R181446	5"x9" Float Keeper (3/4" Rope)	\$8.20
-------------	--------------------------------	--------

## Handi-Lock Floats

Durable polyethylene locking float locks securely to rope without have to install float keepers or wedges. Fits standard 3/4" pool rope.



AMG-IF5975	5"x9" Locking Float (3/4" Rope)	\$21.12
------------	---------------------------------	---------

## Pool Rope

Blue and white twisted polypropylene rope features light weight, great strength, and low moisture absorption. Manufactured from a mono filament which has been stabilized against the sun's ultraviolet rays.



AMG-PR25-6	1/4" Rope – per linear foot [Throw Line & Life Ring line]	\$ .35
------------	---	--------

AMG-P-50	1/2" Rope – per linear foot [3"x5" Floats]	\$1.06
----------	--	--------

AMG-P-75	3/4" Rope – per linear foot [5"x9" Floats]	\$1.96
----------	--	--------

## Rope Clamps

Made of chrome plated brass. Complete with fasteners. Can be used by themselves or with various types of hooks on poly rope.



PER-PH-58	1/2" Rope Clamp	\$12.73
-----------	-----------------	---------

PER-PH-59	3/4" Rope Clamp	\$17.55
-----------	-----------------	---------

## Rope Hooks

Chrome plated bronze rope hooks for use with 1/2" and 3/4" poly rope. Use on throw lines and center lines with floats.



PER-PH-51H	3/4" Clamp Rope Hook (1)	\$40.76
------------	--------------------------	---------

PER-PH-52H	1/2" Clamp Rope Hook (1)	\$31.43
------------	--------------------------	---------

PER-PH-53	3/4" Cleat Rope Hook (2)	\$26.62
-----------	--------------------------	---------





## Safety Eyewear

ULI-S-22179	Cruze Safety Goggles- Fog free, indirect vent, anti-scratch	\$22.00
ULI-S-16223	Economy Safety Goggles- Indirect vent	\$6.75
ULI-S-21076	Economy Anti-fog Safety Glasses- Wraparound, Clear	\$9.00



## Chlorine/Acid Respirator

Dual cartridge mask is designed to protect against Muriatic Acid, Chlorine and other organic vapors. Requires two 3M Organic Vapor/Acid Gas cartridges, which should be replaced periodically. [Store in air tight, chemical resistant bag to preserve cartridges \(i.e. Ziplock\).](#)



ULI-3M7502	Respirator w/o Cartridges	\$70.50
ULI-3M6003	3M Cartridges, 2-Pack	\$42.00

## Chlorine/Acid Respirator - Full Face

Full face version of the standard Chlorine/Acid Respirator. Requires two 3M Organic Vapor/Acid Gas cartridges, which should be replaced periodically. [Store in air tight, chemical resistant bag to preserve cartridges \(i.e. Ziplock\).](#)



ULI-3M6800M	Full Face Respirator w/o Cartridges, Medium	\$360.00
ULI-3M6003	3M Cartridges, 2-Pack	\$42.00

## Faceshield Assemblies

Lightweight, durable face and eye protection from flying debris. Face shield is a clear molded 8" x 16" aspherical Polycarbonate shield. Head gear and shields sold separately.



ULI-S-24620	Ratcheting Head Gear	\$22.00
ULI-S-24619	Antifog Face Shield	\$27.00

## Neoprene Chemical Resistant Apron

Chemical resistant for use while working with Chlorine, Muriatic Acid or other corrosive materials. One size fits all.



ULI-S-18815	Neoprene Chemical Apron	\$31.50
-------------	-------------------------	---------

## Chemical Resistant Rubber Boots

Chemical resistant Tingley black PVC knee boots. M, L, or XL.



VIK-V7C-1400-M	Rubber Boots, Medium	\$70.80
VIK-V7C-1400-L	Rubber Boots, Large	\$70.80
VIK-V7C-1400-XL	Rubber Boots, X-Large	\$70.80

## Nitrile Chemical Resistant Gloves

Comfort-curved fingers. Tough nitrile resists abrasion, cuts and punctures. Protection from heavy-duty chemicals, grease and fats.



ULI-S-7964	Nitrile Gloves	\$5.25
------------	----------------	--------



# Chemical Safety & Handling

## Wall Emergency Eye Wash Station

Self contained eye wash station is a sterile saline wash with the capacity to neutralize acids and caustics. Attach to the wall wherever chemicals are being stored. 16 oz. Bottle.



ULI-H-2387	Eye Wash Station	\$66.00
ULI-S-15348	16 oz. Refill Bottle	\$28.60

## Slim Flow Gravity Eye Wash Station

Compact design saves space without sacrificing safety. Pull-down tray activates a constant 15-minute flow. No plumbing needed. Includes: Eyewash station, emergency sign, stainless steel wall bracket, water preservative, and inspection tag.



ULI-H-9832	Gravity Fed Eye Wash Station	\$375.00
------------	------------------------------	----------

## Ultra-Utility Spill Trays

Contain leaks and drips from containers. Keep the mess confined with these safe and economically priced spill trays. Heavy duty Polyethylene (HDPE) construction. [Ships FOB Factory.](#)

BAS-1031	12" x 48" x 4¾" (12 gl)	\$124.08
BAS-1034	24" x 36" x 4¾" (18 gl)	\$150.16
BAS-1032	24" x 48" x 4¾" (24 gl)	\$159.76
BAS-1035	36" x 36" x 4¾" (27 gl)	\$187.04
BAS-1033	30" x 48" x 4¾" (30 gl)	\$231.12
BAS-1036	40" x 48" x 3½" (30 gl)	\$288.36



## Spill Containment Pallets

Low-profile workstations protect floors from spills and leaks. Tough, high-density polyethylene construction. Non-skid, easy-to-clean removable grates. Optional ramp available. [Ships FOB Factory.](#)

ULI-H-4865	Spill Containment Pallet- 25" x 25" x 6"	\$207.00
ULI-H-4036	Spill Containment Pallet- 49" x 25" x 6"	\$306.00
ULI-H-4037	Spill Containment Pallet- 49" x 49" x 6"	\$504.00
ULI-H-4038	Containment Pallet Ramp- 33" x 48" x 6"	\$387.00
ULI-H-4039	Pallet and Ramp Connectors, 2 Pack	\$27.00



## HAZMAT Spill Kit - 14.5 Gallon

Suitable for a wide variety of aggressive chemical spills and leaking hazardous materials. Contains enough hazmat sorbents to absorb up to 14.5 gallons of liquid spills. [Ships FOB Factory.](#)

*Kit contains: (6) 3" x 4' sorbent socks; (1) 4" x 10' sorbent sock; (12) 15" x 19" medium-weight sorbent pads; (4) 17" x 17" sorbent pillows; (3) 17" x 30" temporary disposal bags; (1) Pair clear fog-free goggles with venting; (1) Pair silver shield gloves – size large; (1) Emergency Response Guidebook (4" x 5-1/4"); (1) 20-gallon yellow, screw-top, poly overpack drum - UN-Certified 1H2/X57/S*

JJK-64815	14.5 Gallon HAZMAT Spill Kit	\$554.83
-----------	------------------------------	----------



## HAZMAT Spill Kit - 7.5 Gallon

Use for corrosive and aggressive liquid spills; designed for dangerous hazmat spill clean-up. Capable of absorbing up to 7.5 gallons of liquid. [Ships FOB Factory.](#)

*Kit contains: (3) 3" x 4' sorbent socks; (20) 15" x 18" sorbent pads; (1) Temporary disposal bag; (1) Pair of clear safety goggles with indirect vent frame; (1) Pair of Nitrile gloves; (1) Emergency Response Guidebook (4" x 5-1/4"); (1) Clear zippered storage bag; (1) Pair of Norfoil gloves; (1) Pair of light green goggles with UV-absorbing polycarbonate lenses and an indirect-vented, flexible PVC body (meets ANSI Z87.1-2003 and CAN/CSA Z94.3 standards); (1) SAFEGEAR® lime mesh safety vest, L/XL; (1) Yellow nylon 25" x 18" carrying bag for high visibility and convenient storage/transport*

JJK-65026	7.5 Gallon HAZMAT Spill Kit	\$277.81
-----------	-----------------------------	----------





## Pool & Spa Chemical Scales

Utility scales great for measuring dry chemicals when adjusting water balance. Available in 11 and 220 pound capacities.

AMW-5K	11 lb Scale	\$32.48
AMW-SHIP330	330 lb Scale with remote display (batteries included)	\$199.50



## Drum Wrenches

An essential when you are using 5 gallon, 15 gallon or 55 gallon carboys and drums.

HPS-W397	5 Gallon Drum 70mm Cap Wrench, Aluminum <b>(1)</b>	\$50.58
HPS-W397P	5 Gallon Drum 70mm Cap Wrench, Plastic <b>(2)</b>	\$23.98
HPS-W169	15 & 55 Gallon Drum Cap Wrench, Aluminum <b>(3)</b>	\$23.98



## Chemical Hand Transfer Pump

Hand pumps eliminate the dangerous practice of lifting or tilting drums and carboys. The pumps are designed to safely transfer most acids and chlorine and easily fit most drums or containers. The pump barrel and shaft are PVC, while the valves and patented seal are Viton.

BIP-236PF3	Hand Transfer Pump with 3 Foot Hose	\$176.48
------------	-------------------------------------	----------



## Hazmat Diamond

Blank stickers for identifying hazardous contents of a room or building. Required by most cities and fire departments. Identification numbers sold individually (1,2,3,4, and 0). Lower symbols sold individually (OXY and COR).

VIK-01	6"x6" Hazmat Diamond	\$6.88
VIK-02	10"x10" Hazmat Diamond	\$37.98
VIK-03-*	2" Numbers/Letters for 6"x6" sticker (*= 0, 1, 2, 3, COR, OXY)	\$5.12
VIK-04-*	4" Numbers/Letters for 10"x10" sticker (*= 0, 1, 2, 3, COR, OXY)	\$7.60





## Bulk Solution Tanks

This is the safest, easiest, and most economical way to receive and store your Liquid Chlorine (Sodium Hypochlorite). Our specially equipped delivery trucks simply pump chlorine directly into your tank. This eliminates multiple drums and deposits, saves space, reduces chemical handling and eliminates the need to transfer feeder hoses between drums. [Many additional sizes available.](#)

VT-41866	50 Gallon Tank with Lid (D=18", H=53", 5" Opening)	\$317.85
VT-45195	65 Gallon Tank with Lid (D=23", H=43", 8" Opening)	\$361.52
VT-40804	105 Gallon Tank with Lid (D=23", H=63", 8" Opening)	\$536.20
VT-41860	150 Gallon Tank with Lid (D=30", H=56", 8" Opening)	\$672.08
VT-40282	165 Gallon Tank with Lid (D=31", H=56", 16" Opening)	\$676.91
VT-41857	200 Gallon Tank with Lid (D=30", H=72", 8" Opening)	\$774.01
VT-47222	210 Gallon Tank with Lid (D=32", H=67", 16" Opening)	\$774.01
VT-41855	250 Gallon Tank with Lid (D=30", H=89", 8" Opening)	\$948.69
VT-40215	300 Gallon Tank with Lid (D=36", H=78", 16" Opening)	\$1,065.12
VT-40149	500 Gallon Tank with Lid (D=48", H=72", 16" Opening)	\$1,221.98
VT-40607	750 Gallon Tank with Lid (D=48", H=103", 16" Opening)	\$1,696.45
VT-40153	1,000 Gallon Tank with Lid (D=64", H=80", 16" Opening)	\$2,272.61
VT-40145	1,500 Gallon Tank with Lid (D=64", H=116", 16" Opening)	\$3,204.59
VT-BULKEXT	Bulk Fill Hose Extension (1" hose with fittings)	\$175 + \$4.25/ft
VT-BULKBTFLL	Bulk Tank Bottom Fill Assembly with vent (assembled)	\$250.00



## Dual Containment Bulk Solution Tanks

Dual containment bulk solution tanks provide an additional layer of security in a small footprint. Secondary containment tank provides 120% of the inner tank's capacity. Complies with CFR-264.193. [Additional sizes available. Ships FOB Factory.](#)

SNY-100030045	60 Gallon Tank with Lid (D=26", H=41", 14" Opening)	\$1,307.32
SNY-100040045	150 Gallon Tank with Lid (D=34", H=60", 14" Opening)	\$1,728.55
SNY-100050045	275 Gallon Tank with Lid (D=47", H=60", 14" Opening)	\$2,450.21
SNY-100060045	360 Gallon Tank with Lid (D=53", H=60", 14" Opening)	\$2,696.86
SNY-100080045	500 Gallon Tank with Lid (D=53", H=79", 14" Opening)	\$3,173.91





## SR Smith Economy Ladders

The frames are 1.9" O.D. x .049" wall, 304 stainless steel tube with mirror finish. Available in plastic or stainless steel tread. Treads mount to the ladder frames with included heavy-duty stainless steel hardware. Each lower end of the frame is fitted with an included white rubber bumper (WRB-100A). Escutcheons and anchors for use with these ladders are ordered separately.



SRS-VLLS-103E	Plastic 3 Tread	\$471.06
SRS-VLLS-103S	Stainless Steel 3 Tread	\$548.21
SRS-VLLS-104E	Plastic 4 Tread	\$708.58
SRS-VLLS-104S	Stainless Steel 4 Tread	\$895.11

## SR Smith Commercial Crossbrace Ladders

Commercial Crossbrace Ladders are made from thick stainless steel tubing, and are suitable for heavy duty use in commercial aquatic facilities. These ladders feature a crossbrace for added stability, with durable stainless steel treads.



SRS-10113	3 Tread- 23"	\$2,199.12
SRS-10116	4 Tread- 23"	\$2,388.41
SRS-10119	5 Tread- 23"	\$2,632.37
SRS-10125	3 Tread- 29"	\$2,326.57
SRS-10128	4 Tread- 29"	\$2,512.20
SRS-10131	5 Tread- 29"	\$2,792.58
SRS-10137	3 Tread- 35"	\$2,450.35
SRS-10140	4 Tread- 35"	\$2,676.04
SRS-10143	5 Tread- 35"	\$2,945.51

## SR Smith Standard Handrails - 2 & 3 Bend

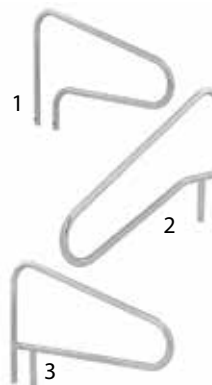
The highly polished stainless steel offers a mirror-like finish that lasts for years. Each is fabricated from 1.90" OD tube with a wall thickness of .049" and features 6" radius bends.



SRS-2HR-4-049	48" Handrail 2-Bend	\$301.28
SRS-2HR-5-049	60" Handrail 2-Bend	\$331.82
SRS-2HR-6-049	72" Handrail 2-Bend	\$397.30
SRS-3HR-5-049	60" Handrail 3-Bend	\$366.74
SRS-3HR-6-049	72" Handrail 3-Bend	\$392.93

## SR Smith Deck Mounted Hand Rails

The highly polished stainless steel offers a mirror-like finish that lasts for years. Each is fabricated from 1.90" O.D. tube with a wall thickness of .049" and features 6" radius bends. Escutcheons and anchors for use with these stair rails are ordered separately. With proper anchor devices, it is suitable for use on stairs and slopes on poured concrete, shotcrete, and fiberglass commercial pools and spas.



SRS-DMS-101A	Figure 4 Deck Mounted Handrail (1)	\$325.47
SRS-DMS-102A	Figure 4 Deck Mounted Handrail with Cross Brace (2)	\$642.41
SRS-DMS-103A	Figure 4 Deck Mounted Handrail with Cross Brace (3)	\$717.74
SRS-SR-100	Spa Rail with Stainless Steel Mounting Plate	\$789.61



# Ladders & Handrails



## Stanchions

Designed to support backstroke lines, finish lines, recall lines, volleyball nets and splash curtains. Sliding rings and anchors must be ordered separately. Flags not included.

SPM-23612-00	8' Stanchion - 1.90" OD x .109" wall thickness	\$653.73
SPM-23614-00	8' Stanchion - 1.90" OD x .145" wall thickness	\$653.73
SPM-23622-00	4' 6" Stanchion - 1.90" OD x .109" wall thickness	\$471.20
SPM-23624-00	4' 6" Stanchion - 1.90" OD x .145" wall thickness	\$471.20
SPM-23625-00	Sliding Stanchion Ring - 1.90" OD	\$128.96



## Stanchion Anchors

Heavy duty stainless steel and bronze anchors designed for 1.90" OD rails, stanchions and lifts.

SPM-24060-00	Stainless Steel Stanchion Anchor, 6" x 1.90"	\$148.80
SPM-23638-00	Bronze Stanchion Anchor, 6" x 1.90"	\$255.94



## Rail Anchor Sockets

The 4" deep Anchor Sockets provide a suitable mounting point for most residential and many moderate to heavy duty commercial fixtures of 1.9" O.D. The anchor is tapped for, and is provided with, a ground screw for bonding. Fixtures are secured in the anchor by means of a wedge assembly or bolt.

PER-PS-4019-C	4" Aluminum Anchor Socket (1)	\$17.71
PER-PS-4019-BC	4" Brass Anchor Socket (1)	\$54.37
PER-PW-4C	Replacement Brass Wedge (2)	\$14.40
PER-PF-2119-L	Metal Ladder Flange 1.9" (3)	\$17.38
PER-PF-3119	Metal Slide Flange 1.9" (4)	\$29.12



## Escutcheon Plates

PER-PE-0019-S	Stainless Steel Escutcheon 1.90", Round (1)	\$14.59
SRS-EP-200-MC	2-piece Snap-Tite Escutcheon, Chrome Coated PVC (2)	\$47.10
HAY-SP1041	Hayward ABS White Escutcheon, 1.90"	\$11.59
HAY-SP1042	Hayward Chrome Plated ABS Escutcheon, 1.90" (1)	\$17.52
SPM-35214	Escutcheon Keyhole 1.90" Stainless Steel (3)	\$89.28



## Ladder Bumpers

SRS-WRB-100A	White 1.90" x .049" Tubing Size Rubber Bumper	\$10.12
SRS-BRB-100EX	Blue XPAND-N-LOCK Rubber Bumper	\$17.24





## **SRS**Smith Replacement Ladder Treads & Bolts

SRS-LTDF-101	Econoline Plastic Ladder Tread – Swan (1)	\$29.69
SRS-LTDF-103	Stainless Steel Ladder Tread Black Elite (2)	\$74.22
SRS-A42077-0	Plastic Frost Step (3)	\$91.36
SRS-60-702	Stainless Steel Bolts for Stainless Steel & Frost Steps–2½”-Set of 6 (4)	\$45.71
SRS-60-704	Stainless Steel Bolts for Swan Step – 3” - Set of 6 (4)	\$62.65
SRS-6-300	End Cap for Stainless Ladder Tread (5)	\$28.77
SRS-62-209-4001	Recessed Step – Baja, for concrete pools (6)	\$120.07



## **PARAGON AQUATICS** Replacement Ladder Treads

KDI-44101	Paragon 19” Ladder Tread with Hardware, Vertical	\$96.64
KDI-44104	Paragon 19” Ladder Tread with Hardware, Sloping	\$96.64
KDI-44107	Paragon 26” Ladder Tread with Hardware, Vertical	\$181.64
KDI-44109	Paragon 26” Ladder Tread with Hardware, Sloping	\$181.64



## Rail Stabilizing Plug

The rail stabilizing plug is hammered into the ends of handrails and ladders to provide a strong anchor support. Keeps rails stable and firmly anchored. Fits 1.90” ID rails.

POT-144A	Rail Stabilizing Plug, 1.90” OD	\$58.50
----------	---------------------------------	---------



## Safety-Grip Handrail Cover

Safety-Grip is a soft zippered cover that zips over the stainless steel handrails in pools and spas. Safety-Grip prevents burns from “Hot” handrails and prevents slipping due to “oily” hands from suntan oil and lotions. Fits 1.90” diameter rails. Royal Blue. [Additional sizes and colors available upon request.](#)

SAF-HCH350	3’ Safety Grip	\$45.72
SAF-HCH450	4’ Safety Grip	\$50.23
SAF-HCH550	5’ Safety Grip	\$60.01
SAF-HCH650	6’ Safety Grip	\$63.01
SAF-HCH750	7’ Safety Grip	\$85.73
SAF-HCH850	8’ Safety Grip	\$88.74





# Ladders & Handrails

## SAFTRON In-Ground Cross Braced Ladder

SAFTRON commercial in-ground cross braced ladder contains fully reinforced, encapsulated steel which provides superior strength and durability. A high impact polymer exterior ensures SAFTRON ladders are unaffected by pool chemicals, salt, and sun and remain cooler to the touch. No grounding or bonding required. Escutcheons, ladder hardware, steps, and ladder bumpers are included. 36" setback options available. Standard color is white. [Additional colors available.](#)



SAF-CBL-324-3S-W	24" Setback 3-Step Ladder	\$1,173.60
SAF-CBL-324-4S-W	24" Setback 4-Step Ladder	\$1,328.60
SAF-CBL-324-5S-W	24" Setback 5-Step Ladder	\$1,433.46
SAF-CBL-330-3S-W	30" Setback 3-Step Ladder	\$1,311.10
SAF-CBL-330-4S-W	30" Setback 4-Step Ladder	\$1,420.36
SAF-CBL-330-5S-W	30" Setback 5-Step Ladder	\$1,485.06

## SAFTRON In-Ground Ladder

SAFTRON Best Selling In-Ground Ladder is inforced with encapsulated steel which provides superior strength and durability. A high impact polymer exterior ensures SAFTRON ladders are unaffected by pool chemicals, salt, and sun and remain cooler to the touch. No grounding or bonding required. Escutcheons, ladder hardware, steps, and ladder bumpers are included. Standard color is white. [Additional colors available. See above.](#)



SAF-P-324-L2-W	2-Step Ladder	\$491.00
SAF-P-324-L3-W	3-Step Ladder	\$532.22
SAF-P-324-L4-W	4-Step Ladder	\$614.64
SAF-P-324-L5-W	5-Step Ladder	\$652.60

## SAFTRON Triton Pool Ladder

The Triton series was designed to give you a custom designer look that will also enhance the look of any pool or deck, without the high cost associated with custom pool rails. No grounding or bonding required. Escutcheons, ladder hardware, steps, and ladder bumpers are included. Standard color is white. [Additional colors available. See above.](#)



SAF-PTL-224-3S-W	3-Step Ladder Triton Ladder	\$804.88
------------------	-----------------------------	----------

## SAFTRON Deck to Pool Handrails

SAFTRON 2 or 3 Bend Deck-to-Pool Handrail contains fully reinforced, encapsulated marine grade aluminum which provides superior strength and durability. A high impact polymer exterior ensures SAFTRON rails are unaffected by pool chemicals, salt, and sun and remain cooler to the touch. No grounding or bonding required. Escutcheons are included. Standard color is white. [Additional colors available. See above.](#)



SAF-DTP-248-W	48" Handrail 2-Bend	\$431.92
SAF-DTP-260-W	60" Handrail 2-Bend	\$461.88
SAF-DTP-348-W	48" Handrail 3-Bend	\$445.26
SAF-DTP-360-W	60" Handrail 3-Bend	\$488.92
SAF-DTP-366-W	66" Handrail 3-Bend	\$510.40
SAF-DTP-372-W	72" Handrail 3-Bend	\$551.26

## SAFTRON Deck Mounted Handrails

SAFTRON high impact polymer railings are made of specially formulated compounds to ensure longevity and unparalleled resistance to the elements, UV, and chemicals while requiring virtually no maintenance. They are guaranteed to keep their smooth, bright finish for many years. No grounding or bonding required. Escutcheons are included. Standard color is white. [Additional colors available. See above.](#)



SAF-CBRTD-354-W	Cross Braced in Water Handrail, 3-Bend	\$743.26
SAF-CBRTD-352-W	Cross Braced Straight Handrail, 3-Bend	\$692.36
SAF-CBRTD-448-W	Cross Braced Straight Handrail, 4-Bend	\$665.16





## SAFTRON Triton Handrails

The Triton series was designed to give you a custom designer look that will also enhance the look of any pool or deck, without the high cost associated with custom pool rails. No grounding or bonding required. Escutcheons are included. Standard color is white. [Additional colors available.](#)



SAF-TDTP-148-W	48" Triton Handrail	\$563.24
SAF-TDTP-160-W	60" Triton Handrail	\$592.50
SAF-TDTP-172-W	72" Triton Handrail	\$668.18
SAF-TRTD-130-W	30" Deck Mount Triton Handrail	\$496.54
SAF-TRTD-144-W	44" Deck Mount Triton Handrail	\$536.66

## SAFTRON Hardware & Accessories

SAF-ANCH-1	Anchor Socket, High Impact Polymer, 1.90" ID (1)	\$29.17
SAF-ASC-W	Anchor Socket Cover, 2-Pack, White (more colors available) (2)	\$60.72
SAF-SB-F-W	6" Surface Mounting Base, White (more colors available) (3)	\$54.98
SAF-ESC-W	Escutcheons, 2-Pack, White (more colors available) (4)	\$16.70
SAF-P-BP19	Ladder Bumpers, 2-Pack, White (5)	\$15.60
SAF-P-LS-20-W	Ladder Step, White (more colors available. Hardware sold separate) (6)	\$27.14
SAF-P-LS-HDWR	Ladder Step Hardware, 316SS (set for one step) (7)	\$17.64



## SAFTRON Pool Fencing

SAFTRON Pool Fencing is a user friendly system consisting of sections, posts, and gates and designed specifically for subcontractors, home owners and installers. All parts required to build a system are available from the factory and can be fabricated without welding through the use of concealed, mechanical fasteners.

SAFTRON's Pool Fencing combines all the strength advantages of aluminum or galvanized steel and the finish durability of high grade vinyl polymer to create a railing system that will provide years of maintenance-free safety and enjoyment. [Please call for more information and pricing.](#)



Call For a Quote.



## Protect-A-Pool Estate Safety Fence

GLI'S removable PROTECT-A-POOL fencing system is the easiest way to make your pool safe from unwanted intrusion of children, pets or stray animals. While easy to install and remove, our patent pending pole design can withstand over 200 pounds of pressure. Removes and re-installs in minutes with an ordinary hammer drill. Ideal for providing a barrier between closed or unused pools in a common area at commercial facilities. 5 Year Limited Warranty. [Additional colors available.](#)

GLI-30-0510-BLK	Estate Fence Section, 5' high x 10' wide, Designer Black	\$299.40
GLI-30-0500-BLK-GATE-CGS-PAP	Estate Gate with Magna Latch, 5' high x 36" wide, Designer Black	\$736.73





# Main Drain & Suction Safety

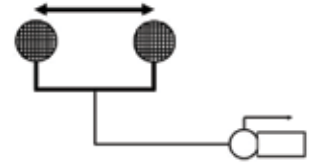
## Main Drain & Suction Safety Compliance

The Virginia Graeme Baker (Federal) and Abigail Taylor (MN) Pool Safety Acts were enacted to protect swimmers from swimming pool main drains and suction. Due to the complex nature of these laws and requirements, we have not included guidelines within this catalog. Please visit our Resources section at [www.horizonpoolsupply.com](http://www.horizonpoolsupply.com) for complete information on swimming pool main drains and suction safety compliance requirements. Horizon also offers FREE Safety Consultation services. We will provide you with compliance recommendations and answer any questions you may have. Simply call us at 651-917-3075 and ask to be directed to your consultant.

### Dual Main Drain Retrofit

Dual main drain/suction outlets are considered one of the safest compliance options. They provide a layer of safety that unblockable covers and Safety Vacuum Release Systems can't offer. Installation includes sumps, covers, plumbing, labor, permits and patching of concrete and plaster/tile.

[Call for Assessment & Quote](#)



### AEGIS Anti-Entrapment Shield



Easily installs over existing main drains and sumps up to 24" x 24". Fiberglass construction that requires no bonding or grounding. Attaches using 1/4" concrete anchors. Certified unblockable for drains with no sump. 600 GPM at 1.5 fps. 10 year limited warranty. [15 year life.](#)

NEP-1000-6866	30"x30" AEGIS Anti-Entrapment Shield	1,432 GPM- Floor 1,120 GPM- Wall	\$2,106.05
NEP-1000-5709	Replacement Hardware Kit- AEGIS		\$118.62



### Unblockable Propeller Drain 32"



The 32" Unblockable Propeller Drain easily retrofits over any existing sump up to 10" round. Manufactured from superior UV-resistant engineered polymers. [5 year life.](#)

AQS-32PD101	Unblockable Propeller Drain 32"	76 GPM - 1.5" Pipe Size 105 GPM - 2" Pipe Size 110 GPM - 2.5" Pipe Size	\$461.60
-------------	---------------------------------	---	----------



### Eureka Anti-Entrapment Drain Cover



Easily installed over existing main drains. Fabricated from 12 gauge 304 stainless steel with #4 sandblasted finish. Certified for wall and floor use. **Bonding & anodes to prevent corrosion are recommended.** [20 year cover life; 10 year hardware life.](#)

REC-A262675	26"x26" Anti-Entrapment Cover	495 GPM	\$1,490.40
REC-A323275	32"x32" Anti-Entrapment Cover	675 GPM	\$1,795.20
REC-A444475	44"x44" Anti-Entrapment Cover	975 GPM	\$2,646.00
REC-AVHK004	Repl. Hardware Kit (26" & 32" Covers)		\$106.66

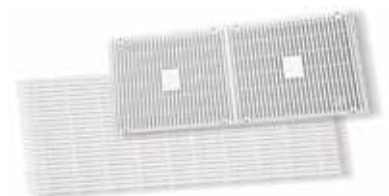


### LAWSON AQUATICS® Large Area Main Grates



Large area SuperFlow main drain grates begin at 18" x 36" and larger in 18" increments. SuperFlow capacity starting at 2080 GPM that is unmatched by the competition. Install end-to-end to accommodate higher flow rates — no additional support required. Custom framing available to fit any length. Custom Large area sumps, framing and grating available. [10 year life.](#)

[Call For a Quote.](#)



# Main Drain & Suction Safety



## HAYWARD 8" Round Suction Outlet



Hayward's WG Series 8" suction outlet assemblies set the standard in quality and value. Single replacement covers or two packs of the frame and cover or the entire sump/cover kit. Floor and wall options. [7 year life.](#)

HAY-WGX1048E	8" Replacement Cover (1)		\$40.34
HAY-WG1030AVPAK2	8" Suction Outlet- Frame & Cover, 2 Pack (1)	125 GPM- Floor 72 GPM- Wall	\$81.15
HAY-WG1154AVPAK2	8" Suction Outlet- Cover & Sump, 2 Pack (2)		\$153.20



## HAYWARD 12" x 12" High Flow Drain Grate



Hayward's WG High Flow Series 12" suction cover assemblies set the standard in quality and value. Single replacement covers or two packs of the frame and cover. Approved for floor and wall use. [7 year life.](#)

HAY-WGX1032BHF2	12" x 12" Grate & Inner Frame	515 GPM- Floor	\$157.69
HAY-WG1032HF2PAK2	12" x 12" Frame & Grate, 2 pack	308 GPM- Wall	\$450.67

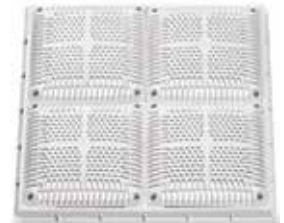


## HAYWARD 18" x 18" High Flow Drain Grate



Hayward's WG High Flow Series 18" suction cover assemblies set the standard in quality and value. Single replacement covers or two packs of the frame and cover. Approved for floor and wall use. 18" frame takes four 9" replacement covers. [7 year life.](#)

HAY-WG1033HF2PAK2	18" x 18" Frame & Grate, 2 pack	812 GPM- Floor	\$1,077.37
HAY-WGX1031BHF2	Repl. Grate, 9" x 9" (4 req. per frame)	732 GPM- Wall	\$113.80



## HAYWARD 9" x 9" High Flow Drain Grate



Hayward's WG High Flow Series 9" replacement suction cover assemblies set the standard in quality and value. Single replacement covers only. Approved for floor and wall use. [7 year life.](#)

HAY-WGX1031BHF2	9" x 9" Replacement Grate only (use four 9" x 9" grates in 18" frames)	264 GPM- Floor 224 GPM- Wall	\$113.80
-----------------	---	---------------------------------	----------



## Waterway Square Frame & Grates 12" x 12" & 9" x 9"



Waterway's square frame and grates are built from durable plastic and come complete with stainless steel screws and frame. [7 year life.](#)

WTW-640-4720V	12" x 12" Frame & Grate, White	356 GPM- Floor 280 GPM- Wall	\$127.49
WTW-640-4740V	12" x 12" Grate Only, White		\$108.99
WTW-640-4790V	9" x 9" Frame & Grate, White	289 GPM- Floor	\$75.97
WTW-642-4790V	9" x 9" Grate Only, White	208 GPM- Wall	\$68.13





# Main Drain & Suction Safety



## 6" Round Hockey Puck Sumpless Suction Cover



Extremely versatile 6" suction cover, ideal for fiberglass and all sumpless configurations including **skimmer equalizer** lines. Various adapter plates available to easily install in many applications. Approved for floor and wall use. Additional colors available. [5 year life.](#)

AQS-6HPHA101	6" Round Sumpless Cover (1)		\$42.10
AQS-615T101	1½" MPT Adapter Plate (2)	2" Pipe- 160 GPM Floor	\$22.05
AQS-615SI101	1½" Slip-Insider Adapter Plate (2)	2" Pipe- 144 GPM Wall	\$22.05
AQS-620SI101	2" Slip-Insider Adapter Plate (2)	1.5" Pipe- 92 GPM Floor	\$22.05
AQS-620T15S101	2" MPT x 1½" Socket Adapter Plate (2)	1.5" Pipe- 92 GPM Wall	\$22.05



## 14" X 14" Retrofit for 9" x 9" Anti-Entrapment Cover



14"x14" square anti-entrapment cover retrofits over all existing 9" square sumps & frames. Fits into existing 9" frames using screws or epoxy. Retrofits over all sumps & frames up to 13" by anchoring directly into pool finish using brass anchor kit. Approved for floor or wall use. Includes cover and frames. Optional brass anchor kit for anchoring directly into pool finish. [5 year life.](#)

AQS-914101	14" x 14" Retrofit Frame & Cover	560 GPM- Floor	\$260.22
AQS-BIK4	Brass Anchor Kit	300 GPM- Wall	\$94.97



## 16" x 16" Retrofit for 12" x 12" Anti-Entrapment Cover



16"x16" square anti-entrapment cover retrofits over all existing 10" round and 12" square sumps & frames. Fits into existing 12" frames using screws or epoxy. Approved for floor or wall use. Includes cover and frames. Optional brass anchor kit for anchoring directly into pool finish. [5 year life.](#)

AQS-1216101	16" x 16" Retrofit Frame & Cover	460 GPM- Floor	\$338.43
AQS-BIK4	Brass Anchor Kit	445 GPM- Wall	\$94.97

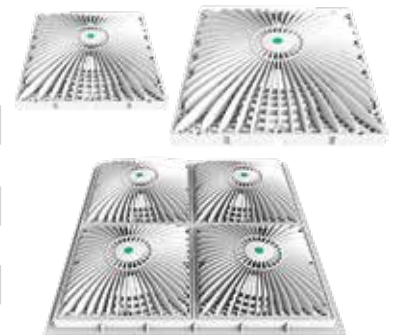


## MoFlow 9", 12", & 18" Square Suction Outlet Covers



The MoFlow suction outlet covers easily and safely retrofits to most brands' existing frames (Hayward, Waterway, American, & Pac-Fab). Easily and safely retrofits to most brands' 1" deep existing frames. 9" & 12" do not include mud frame. Approved for floor and wall use. Additional colors available. [5 year life.](#)

AQS-R9MF101	MoFlow 9" Square Retrofit Suction Cover	258 GPM Floor	\$107.28
AQS-9MF101	MoFlow 9" Square Suction Cover with Mud Ring	274 GPM Wall	\$94.43
AQS-R12MF101	MoFlow 12" Square Retrofit Suction Cover	274 GPM Floor	\$124.34
AQS-12MF101	MoFlow 12" Square Suction Cover with Mud Ring	278 GPM Wall	\$128.23
AQS-18MF101	MoFlow 18" Square Suction Cover with Mud Ring	293 GPM Floor Only	\$505.85



# Main Drain & Suction Safety



## 32" Anti-Entrapment Channel Drain



32" channel drain flat grate anti-entrapment suction outlet cover and three-port manufactured sump. A single, unblockable suction outlet for single or multiple drain use. Approved for floor or wall use. Additional colors available. [5 year life.](#)

AQS-32CDL101	32" Channel Drain, Sump & Grate	316 GPM- Floor 208 GPM- Wall	\$393.58
AQS-32CDLNF101	32" Channel Drain, Repl. Grate only		\$208.70



## LAWSON AQUATICS® Main Drain Grates



The SuperFlow VGB-2008 certified main drain grates have a super flow rate and a unique top profile design that provides extreme comfort under foot. Easy to install and no special tools required. Approved for floor and wall use. Sold in packs of 2 covers. [10 year life.](#)

LAW-1002-5102	12"x12" SuperFlow Frame & Grate, 2Pk	365 GPM- Floor 340 GPM- Wall	\$386.22
LAW-1002-5103	18"x18" SuperFlow Frame & Grate, 2Pk	816 GPM- Floor 712 GPM- Wall	\$831.13



## SDX2 High Flow Safety Drain



SDX2 is a high flow suction outlet suitable for use as a wall fitting or as a floor fitting. SDX2 performs at a very high flow rate while operating at one of the lowest velocity ratings in the industry. No sump required. SDX2 comes with a plaster ring for new installation. SDX2 "Retro" comes with an adaptable backplate to retrofit suction fittings up to 10" in diameter. Available in additional colors. [5 year life.](#)

PAR-004192221301	SDX2 "Retro" High Flow Safety Drain, White	200 GPM- Floor	\$112.95
PAR-004162223101	SDX2 High Flow Safety Drain, White, 2 pack	192 GPM- Wall	\$229.61

[Please call for information on additional SDX cover colors and applications](#)



## Superflow 360 Pebble Top Drain



By far the most advanced drain on the market. Simply apply the same plaster, aggregate or tile being applied to the pool surface to the top of our 360 Pebble Top Drain for a perfect match every time. Flush with floor, so no pool cleaner hang ups. 20" Round Unblockable Drain with Sump.

CMF-36001	Superflow 360 Pebble Top Drain	360 GPM- Floor	\$351.00
-----------	--------------------------------	----------------	----------



## Main Drain Test Hook

The Main Drain Test Hook simply snaps into any standard vacuum pole and the 3/8" stainless steel hook fits into the openings of most main drain and suction covers. Firmly pulling on the covers ensures that they are safe and secure.

POT-122	Each	\$30.75
---------	------	---------





# Safety Vacuum Release Systems (SVRS)



## Safety Vacuum Release System (SVRS)



Vacless SVRS valves adjust themselves to any existing pool piping configuration and filtration system. The Vacless unit is simply attached to the threaded port of a pump's drain plug and allows air into the pump in the event of a blockage. All units automatically reset. Adjustable models allow suction relief for even the most unusual applications and are compliance tested up to 200 feet. Effective on pumps from 0.5 – 10 HP. Manufacturer's 3 Year Warranty. Offset port configurations also available.

VAC-SVRS10ADJ	Vacless Automatic Adjustable SVRS	\$797.63
---------------	-----------------------------------	----------

[Additional Vacless Models Available.](#)



## PSP20 Automatic Pump Shutoff Device

The PSP20 uses the existing pump motor as a sensor to protect swimmers from the horrific injuries and loss of life caused by pool and spa entrapment. When a spa or swimming pool pump experiences a loss of suction caused by the drain being blocked, the PSP20 detects a significant drop in motor load and shuts the pump off within one second. Tested and approved to ASME-A112.19.17 SVRS standard, and compliant with ASME/ANSI A112.19.17-2010. No suction connection - NO future leak issues.

[Please Call For Pricing](#)





## ADA swimming Pool & Spa Accessibility Requirements

As of January 31, 2013 all Public Entities and Public Accommodations are required to provide ADA compliant access to their pools and spas. Please visit our Resources section at [horizonpoolsupply.com](http://horizonpoolsupply.com) for complete information. Horizon also offers free ADA consultation services. We will provide you with compliance recommendations and answer any questions you may have. Simply call us at 651-917-3075 and ask to speak with a consultant.

**Compliance Discounts on ADA Lifts Available - Please Call.**



### Ranger 2 Lift - 350 lb Capacity

The Ranger Lift is an economical ADA compliant lift that upholds Aqua Creek's standards for durability and reliability. The Ranger 2 Lift features a 350 lb (158 kg) lifting capacity, while maintaining a sleek low profile design. The Ranger 2 is ideal for use on smaller hotel and motel pools and is field reversible. Setback range of 14½ to 19 inches, 14 inch water draft, easy to use 2 button remote, durable powder coat finish and 5-year warranty. **Blue is the standard color. Additional plastic and powder coating colors available.**

AQC-F-RNGR2	Ranger 2 Lift (anchor sold separate)	\$4,595.00
AQC-F-04CAJP	Anchor Set, 4 Point Preset	\$399.00
AQC-F-046QAB-AT1	Quick Attach Anchor Kit	\$459.00
AQC-F-120PPC	Cover for Ranger, Pro, Patriot, Ambassador & Admiral Lifts- BLUE	\$295.00
AQC-F-120PPC-T	Cover for Ranger, Pro, Patriot, Ambassador & Admiral Lifts- TAN	\$295.00
AQC-F-120PPC-G	Cover for Ranger, Pro, Patriot, Ambassador & Admiral Lifts- GRAY	\$295.00



### Scout Excel Pool Lift - 375 lb Capacity

The Scout Excel pool lift is an ideal choice for in-ground and partially raised pools and spas. This rotation base gives you more freedom to set the lift further back from the edge of your pool in order to accommodate wider perimeter gutters and/or spa benches. This pool lift will accommodate most existing anchors by utilizing adapter sleeves. Weight capacity is 375 pounds. Five year pro-rated electronics warranty. Five year structural warranty. **Blue is the standard color. Additional plastic and powder coating colors available.**

AQC-F-SCTXL	The Scout Excel Lift (anchor sold separately, if needed)	\$6,689.00
AQC-F-808SA	Anchor, Scout/Mighty 1.9" x 6" deep	\$90.00
AQC-F-820	Retrofit Anchor Sleeve 2.5" Square for SR Smith/Global	\$235.00
AQC-F-824	Retrofit Anchor Sleeve 2.36" OD x 1.95" ID for Spectrum ELKHORN	\$209.00
AQC-F-450SSC	Cover for Scout Lift, BLUE	\$449.00
AQC-F-450SSC-T	Cover for Scout Lift, TAN	\$449.00
AQC-F-450SSC-G	Cover for Scout Lift, GRAY	\$449.00



### Mighty Voyager Portable Lift - 325 lb Capacity

The Mighty Voyager lift is an affordable portable lift that provides access to in-ground and some partially raised pools and spas with curbs or walls up to 10 inches high. The low profile design makes this lift easily blend in at any pool, and being portable, the lift can easily be rolled on its large 6 inch rubber casters to be stored away from the pool without the need for a separate transport cart. Lift fixing anchor is included. Five year pro-rated electronics warranty. Five year structural warranty. **Blue is the standard color. Additional plastic and powder coating colors available.**

AQC-F-VGRPL	Mighty Voyager Portable Pool Lift	\$10,969.00
AQC-F-MTLCB	Cover for Mighty Voyager Lift- BLUE	\$449.00
AQC-F-MTLCT	Cover for Mighty Voyager Lift- TAN	\$449.00
AQC-F-MTLCG	Cover for Mighty Voyager Lift- GRAY	\$449.00



# ADA Pool Access Lifts

## Admiral Pool Lift - 450 lb Capacity

The Admiral Pool Lift is the most advanced ADA compliant pool access lift available on the market today. It features a compact design, rechargeable 24-volt battery, stainless steel construction, and a UV resistant powder coat finish. Its field reversible feature allows you to change the direction of the seat on site, allowing you left or right entry into the pool. The new adjustable base plate provides additional flexibility in pools with clearance issues. Five year pro-rated electronics warranty. Five year structural warranty. **Blue is the standard color. Additional plastic and powder coating colors available.**

AQC-F-ADMRL	Admiral Pool Lift (anchor sold separately)	\$5,595.00
AQC-F-04CAJP	Anchor Set, 4 Point Preset	\$399.00
AQC-F-046QAB-AT1	Quick Attach Anchor Kit	\$459.00
AQC-F-120PPC	Cover for Ranger, Pro, Patriot, Ambassador & Admiral Lifts- BLUE	\$295.00
AQC-F-120PPC-T	Cover for Ranger, Pro, Patriot, Ambassador & Admiral Lifts- TAN	\$295.00
AQC-F-120PPC-G	Cover for Ranger, Pro, Patriot, Ambassador & Admiral Lifts- GRAY	\$295.00



## The Mighty Lifts - 400 lb & 600 lb Capacity

The Mighty lifts provide accessibility solutions with versatility, greater water drafts, and a setback up to 44". Designed for in ground anchoring, the Mighty series will accommodate existing "standard" Scout 2 and Revolution concrete anchors. Created for its adaptability, the Mighty's can be purchased with a pedestal for additional wall clearance or unusual gutter profiles. Pedestals come in 8", 1', 2', 3', and 4' options. The Mighty series is ideal for easy and affordable ADA compliance. Available in 400 pound and 600 pound capacity models. **Blue is the standard color. Additional plastic color available.**

AQC-F-MTY400	Mighty 400 Lift, 400 lb Capacity (anchor sold separately)	\$6,689.00
AQC-F-MTY600	Mighty 600 Lift, 600 lb Capacity (anchor sold separately)	\$7,679.00
AQC-F-808SA	Anchor, Scout/Mighty 1.9" x 6" deep	\$90.00
AQC-F-MTLCB	Cover for Mighty Lifts, Blue	\$449.00
AQC-F-MTLCT	Cover for Mighty Lifts, Tan	\$449.00
AQC-F-MTLCG	Cover for Mighty Lifts, Gray	\$449.00



## Lift Replacement Parts

AQC-F-004AB	Battery, 24V (all 2-piece Linak brand controls) <b>(1)</b>	\$329.00
AQC-F-044CH	Battery Charger (all 2-piece Linak brand controls) <b>(2)</b>	\$347.00
AQC-F-40CBJ	Control Box (Linak brand controls - non-rotating lifts) <b>(3)</b>	\$299.00
AQC-F-41CBJ	Control Box (Linak brand controls - rotating lifts) <b>(3)</b>	\$299.00
AQC-F-004ABV	Battery, 24V (all Vito brand controls) <b>(4)</b>	\$329.00
AQC-F-044CHV	Battery Charger (all Vito brand controls) <b>(5)</b>	\$347.00
AQC-F-40CBJV	Control Box (Vito brand controls - non-rotating lifts) <b>(6)</b>	\$299.00
AQC-F-41CBJV	Control Box (Vito brand controls - rotating lifts) <b>(6)</b>	\$299.00
AQC-HB00-U017	2-Button Hand Control (non-rotating lifts, Linak & Vito controls) <b>(7)</b>	\$239.00
AQC-HB00-U10	4-Button Hand Control (rotating lifts, Linak & Vito controls) <b>(8)</b>	\$239.00







## Pull Out Leg Rest

Replace your standard footrest with this leg rest. Great option for when lift is used in spas.

AQC-F-LRB	Pull Out Leg Rest- Blue	\$475.00
AQC-F-LRT	Pull Out Leg Rest- Tan	\$475.00
AQC-F-LRG	Pull Out Leg Rest- Gray	\$475.00
AQC-F-LRW	Pull Out Leg Rest- White	\$475.00



## Cycle Attachment

The Cycle Attachment is an upgrade that makes exercising in your pool trouble-free and convenient. The Cycle Attachment quickly converts your lift into an aqua therapy bike.

AQC- F-019CA	Cycle Attachment	\$499.00
--------------	------------------	----------



## Solar Charging Station

These charging stations mount on your lift and provide a constant trickle-charge to the battery without the need to remove it. Once the battery reaches a full charge, the solar charge station shuts off until more charge is needed. This is a great product for use in outdoor environments that will save energy while maintaining and extending your battery life. Universal design fits all Aqua Creek Lifts. 12v / 10 watt solar panel. One year manufacture warranty.

AQC-F-SLR	Solar Charging Station - Universal (all Aqua Creek Lifts)	\$419.00
-----------	---	----------



## Spine Board Attachment

The Spine Board is offered as an optional attachment for the Revolution, Mighty 400, Mighty 600, and Scout 2 pool lifts. Weight capacity is limited to 300 pounds when using the spine board attachment. Color may vary depending on supplier availability.

AQC- F-734RSA	Spine Board Attachment - Revolution Lift	\$890.00
---------------	--	----------





# ADA Pool Access Lifts

## **SRS**Smith **aXs2 Pool Lift - 300 lb Capacity**

The aXs2 lift installs into your pool deck via anchor, and can be easily removed for winter storage. 360° rotation ensures a safe transfer area. Powered by a 24-volt rechargeable battery. Powder coated stainless steel and aluminum. [Ships FOB Factory.](#)

SRS-310-0000	aXs2 Pool Lift - Gray Mist	\$6,630.46
SRS-310-0000C	aXs2 Pool Lift - Gray Mist w/ Caddy	\$8,740.55
SRS-310-0000N	aXs2 Pool Lift - Gray Mist - NO Anchor	\$6,087.34
SRS-AX9006	Cover for aXs2 Lift - Tan	\$778.46
SRS-1001495	Extra/Replacement Battery	\$521.28
SRS-400-2000-AX	aXs Lift Transportation Caddy	\$1,175.52
SRS-500-1000	Spine Board Attachment	\$665.36



## **SRS**Smith **multiLift 2 Pool Lift - 350 lb Capacity**

The multiLift has the option to install it as a fixed or removable lift. The Wheel-A-Way option provides flexibility to remove the lift for poolside events or seasonal storage. Right or left side mounting means less to think about when selecting a pool lift location on the deck. The multiLift is also the first pool lift to come standard with the new LiftOperator Intelligent Control System. [Ships FOB Factory.](#)

SRS-580-0000	multiLift 2 Pool Lift - Gray Mist	\$6,329.53
SRS-500-5200T	Cover for multiLift - Tan	\$685.32
SRS-1001495	Extra/Replacement Battery	\$521.28



## **SRS**Smith **PAL2 Portable Pool Lift - 350 lb Capacity**

The PAL2 pool lift includes all the great features of our original PAL, with a modernized look and durable matte finish. It is a portable, free-standing pool lift that comes with the PAL Secure-It Kit so that it can be fixed to the deck. Standard features include the LiftOperator® Intelligent Control (mounted on the mast), a 24-volt rechargeable battery, waterproof hand control, footrest and seatbelt assembly. [Ships FOB Factory.](#)

SRS-202-0000	PAL Portable Aquatic Lift	\$11,077.94
SRS-920-5000T	Cover for PAL/Splash Lift - Tan	\$704.45
SRS-500-1000	PAL/Splash Spine Board Attachment	\$665.36
SRS-1001495	Extra/Replacement Battery	\$521.28



## **SRS**Smith **Splash! Aquatic Lift - 400 lb Capacity**

This removable, semi-portable lifting system is designed for facilities seeking to provide user-friendly access to their swimming pools. In addition to the standard configuration, the Splash! lift is also available in Hi/Lo, Spa, Extended Reach, Splash! 300, Splash! 300 Hi/Lo, and Splash! 300 Spa versions. The Splash! lift installs into your pool deck via anchor, and can be easily removed for winter storage. 359° rotation ensures a safe transfer area. [Ships FOB Factory.](#)

SRS-300-0000	Splash! Aquatic Lift	\$9,770.62
SRS-920-5000T	Cover for PAL/Splash Lift - Tan	\$704.45
SRS-500-1000	PAL/Splash Spine Board Attachment	\$665.36
SRS-1001495	Extra/Replacement Battery	\$521.28

[Additional options available- Hi/Lo, Extended Reach & Spa.](#)





## AQUA Buddy Pool Lift - 350 lb Capacity

The AQUA Buddy is a fully ADA compliant battery powered lift that is self-operable from the deck and water. The AQUA Buddy® features quiet and smooth performance, simple installation, powder coated stainless steel construction, dual flip-up arm rests and included concrete anchor system. Five year structural and two year electronics warranty. [Ships FOB Factory.](#)

SPM-1730116	AQUA Buddy ADA Pool Lift with Anchors	\$5,865.70
SPM-1910223	Cover for AQUA Buddy Lift	\$518.82



## Motion Trek Pool Lifts- 350 lb & 450 lb Capacities

The Motion Trek family of lifts are ADA compliant battery powered lifts that are self operable from the deck and water with a robust operating system. The Motion Trek lifts feature all stainless steel construction coated with Spectra Shield for maximum corrosion protection and are rotationally and vertically powered with 360 degree continuous powered rotation. Deluxe versions come complete with head and foot rests. [Ships FOB Factory.](#)

SPM-163370	Motion Trek 350 Lift, no anchor	\$6,596.80
SPM-163370DLX	Motion Trek 350 Deluxe Lift, no anchor	\$7,577.89
SPM-163371	Motion Trek 400 Lift, no anchor	\$9,030.18
SPM-163371DLX	Motion Trek 400 Deluxe Lift, no anchor	\$10,200.74
SPM-28510-00	Anchor Kit- Motion Trek	\$540.64
SPM-75521	Anchor Kit, Surface Mount- Motion Trek	\$813.44
SPM-47949	Cover- Motion Trek	\$539.65



## Portable Motion Trek Pool Lift- 300 lb Capacity

The Portable Motion Trek BP 300 Deluxe is an ADA compliant battery powered lift that is self-operable from the deck and the water with a robust operating system. This portable lift requires no anchor and is movable and easy to operate. The Deluxe model includes an upgraded footrest, headrest and arms. [Ships FOB Factory.](#)

SPM-165600	Portable Motion Trek 300 Lift	\$12,986.27
SPM-165600DLX	Portable Motion Trek 300 Deluxe Lift	\$13,315.62
SPM-61839	Cover- Portable Motion Trek	\$583.30



## Lift Replacement Parts

SPM-153607	Battery- Replacement for Motion Trek/AQUA Buddy (1)	\$460.29
SPM-153603	Handset- Replacement for Motion Trek (2)	\$160.70
SPM-1830214	Handset- Replacement for AQUA Buddy	\$149.79
SPM-153605	Charger Cradle- Replacement for Motion Trek/Aqua Buddy (3)	\$105.15
SPM-173415	Control Box- Replacement for Motion Trek/AQUA Buddy (4)	\$865.02





# Pool Access & Training



## Pool Access Chairs

The Pool Access Chair is an ideal solution to getting patients in and out of the pool via a platform lift or ramp. [Ships FOB Factory.](#)

AQC-F-520SPM	Pool Access Chair – 300 Lb Capacity (1)	\$1,049.00
AQC-F-520XWSPM	Pool Access Chair Heavy Duty – 425 Lb Capacity (2)	\$1,229.00



## ADA Easy Stair

The ADA Easy Stair is a proven economical solution for all pools requiring a primary or secondary means of ADA access. This durable marine-grade fiberglass stair system is lightweight, compact and with the included dolly is easily portable. The ADA Easy Stair requires no anchoring to the pool deck or any pool modification. Each pool stair is custom fabricated and manufactured to your pool profile with just a few simple measurements. 500lb weight capacity. Colors include light blue, medium blue and safety yellow. Custom colors available upon request. [Ships assembled FOB Factory.](#)

TRI-ADAES	ADA Easy Stair - Custom Fab to Pool Profile	\$6,183.00
-----------	---	------------



## AquaTrek2 Pool Ladders

The AquaTrek2 forward walking ladder system is available in 3, 4, 5, 6 or 7 tread (step) models. This unit is built for heavyweight durability with 600 lb capacity, but maintains portability. The noncorrosive metal reinforced siderails provide strength and stability for use in a commercial pool. Each tread comes with a nonslip safety surface in two colors, yellow and black. Available in a comfortable 30" wide tread model and ADA compliant 24" wide tread model. [Ships FOB Factory.](#)

AquaTrek2 Pool Access Stairs	Call for Pricing
------------------------------	------------------



## Swim Training Platform

These completely portable platforms are easy to remove or place in the pool. Made from solid PVC. 300 pound weight capacity. 36" x 60" grated decking platform. Weighted ballast legs and removable rails. Option for 18" - 24" extended adjustable legs. [Ships FOB Factory.](#)

AQC-F-250TTP	Swim Training Platform 36"x60"	\$999.00
AQC-F-220EL	Extended Adjustable Leg Option, Ea (4 required)	\$22.00



## Aqua Walker

This underwater walker is constructed of durable PVC tubing and stainless steel swivel casters with solid rubber wheels. This adjustable, waterproof walker aids in independent mobility in the pool. Armrest cradles provide extra support. 3 inch cradles come standard but 4 inch cradles are available. The cradles can be attached and removed without the use of tools. [Ships FOB Factory.](#)

AQC-F-605UW	Aqua Walker	\$525.00
-------------	-------------	----------



## ProWave Pool Bike

The new ProWave Pool Bike offers a unique design providing users a fun, invigorating, and effective workout. It is ideal for aquatic spin classes, physical therapy, or a way to get fit in your own backyard pool. The PowerWave has a unique flywheel design which allows for a smooth ride and has multiple resistance levels for users of all types. Choose your comfort settings with ease by adjusting the seat and handlebars to your perfect fit. \*Multiple color options to choose from. [Ships FOB Factory.](#)

AQC-F-PWRWV-*	ProWave Pool Bike	\$1,399.00
AQC-F-PWCS	ProWave Comfort Seat Option	\$139.00



## **SRS**Smith O Series Guard Chair

Scan more with the O-Series Lifeguard chair. Its circular design and 360 degree swivel seat offers a full view of the protected area and unobstructed exit capability which enables quicker response to potential threats. Plus, it's portable so you can have protection where you need it. [Rescue tube sold separately. Ships FOB Factory.](#)

SRS-LGC-1001	O Series Guard Chair with 30" seat height	\$3,849.75
SRS-LGC-1002	O Series Guard Chair with 42" seat height	\$5,311.50
SRS-8-609	Replacement Seat	\$354.33



## **SRS**Smith Standard Portable Lifeguard Chair

The PLS 204 Standard is a 6' tall lifeguard chair, allowing lifeguards to easily scan large pool areas in a short amount of time. This easily movable unit allows you the flexibility of moving your lifeguard stations as needed. The seat swivels 45-degrees for focused scanning. [Ships FOB Factory.](#)

SRS-PLS-204	Standard Portable Lifeguard Chair- 6' height	\$5,229.31
SRS-13-111	Replacement Seat with Swivel	\$468.32
SRS-LTDF-105	Replacement Tread	\$118.08



## **SRS**Smith Cantilever Lifeguard Chair

The Cantilever lifeguard chair is a 6' tall lifeguard chair that allows your lifeguards to easily scan large pool areas. The Cantilever has an extended observation platform for improved observation and safety. This permanent unit requires minimal deck space. The seat swivels 360-degrees for uninhibited scanning. The Cantilever lifeguard chair's steel base is coated with a primer and ready for a paint topcoat. [Ships FOB Factory.](#)

SRS-CAT-LG-101	Cantilever Lifeguard Chair - 6' height	\$5,166.65
SRS-13-119	Replacement Seat with Swivel	\$1,026.27



## **TAILWIND** Furniture Lifeguard Chairs

Tailwind's durable furniture is made from recycled plastic milk containers and is virtually maintenance free. They will not rot, splinter or rust, may be left outdoors year round, and never need painting or staining. All chairs come complete with cup holder and umbrella holder. Assembly required. Standard colors: white, green, cedar, sand. Red chairs listed for additional cost. [Ships FOB Factory.](#)

TAI-LG505	One Step Lifeguard Chair - 30" seat height	\$851.59
TAI-LG505R	One Step Lifeguard Chair - 30" seat height - Red	\$929.74
TAI-LG510	Two Step Lifeguard Chair - 40" seat height	\$1,274.84
TAI-LG510R	Two Step Lifeguard Chair - 40" seat height - Red	\$1,428.11
TAI-LG515	Three Step Lifeguard Chair - 50" seat height	\$1,445.36
TAI-LG515R	Three Step Lifeguard Chair - 50" seat height - Red	\$1,608.78

[Additional Chair Styles Available.](#)



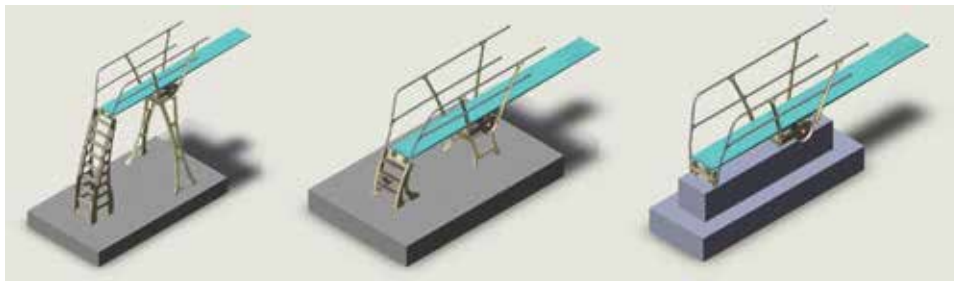


# Diving Stands & Boards

## Duraflex International Durafirm Diving Stands

Durafirm diving board stands are the result of design and engineering focused on stability, low noise level, safety and ease of installation on new or existing decks. All structural members are heavy aluminum castings. Roller, slide and hinge bearings are field replaceable nylon and adjustable for wear. Hinged board anchors allow easy tilting of the board up to 180 degrees. Available in One Meter, Three Meter and Short Stand configurations. [Ships FOB Factory.](#)

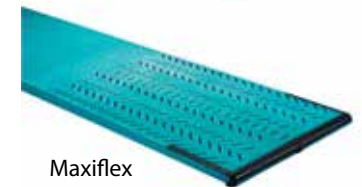
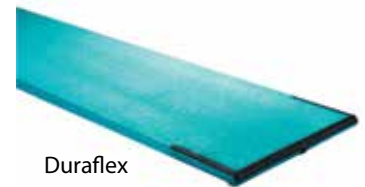
DUR-3M	Durafirm Three Meter Stand with handrails on both sides	\$26,471.80
DUR-1M	Durafirm One Meter Stand with handrails on both sides	\$13,509.21
DUR-SSWR	Durafirm Short Stand with handrails on both sides	\$10,305.72
DUR-SSNR	Durafirm Short Stand without handrails	\$5,971.98



## Duraflex International Duraflex & Maxiflex Diving Boards

Duraflex diving boards are a one piece ribbed extrusion of aluminum alloy and acknowledged as one of the finest aluminum boards and found in leading competitive pools. It is tapered from the fulcrum area to the diving tip. The board is coated in aqua-colored thermal-curing epoxy resin. The top surface is finished with a laminate of flint silica and alumina, between coats of epoxy to affect a slip-resistant surface. The Maxiflex board is perforated to reduce aerodynamic drag during flex and rebound. Duraflex boards available in 14' and 16' lengths. Maxiflex 16' length only. [Ships FOB Factory.](#)

DUR-14-DX	Duraflex Diving Board - 14'	\$5,610.25
DUR-16-DX	Duraflex Diving Board - 16'	\$5,929.24
DUR-16-MX	Maxiflex Model B Diving Board - 16'	\$6,643.12



## Duraflex International Common Replacement Parts

DUR-518	Slide Bearing, each (1)	\$7.46
DUR-524	Roller Bearing, each (2)	\$5.06
DUR-521	Roller Clamp, each (3)	\$29.37
DUR-517	Roller Block Assembly (4)	\$200.18
DUR-207	Stainless Steel Rail Clamp (5)	\$19.58
DUR-10025	Hinge Assemblies w/ Bolts (Pair of Hinges) (6)	\$544.07
DUR-C203	Hinge Pin, each (7)	\$18.57
DUR-C209	Nyliner, each (8)	\$2.76
DUR-C210	Hinge O-Ring, each (9)	\$1.05
DUR-MP112-30-C	Rubber Channel Set 30" (10)	\$158.09
DUR-MP105	Touch-Up Paint- Buff, 2- 1 oz bottles (11)	\$21.45
DUR-PM111	Mystic JT-6 Grease, 3 oz tube (12)	\$10.32



All Duraflex parts available.



## SRSmith Legacy Series Starting Platforms

Each Legacy starting platform is custom engineered and built to be tailored to your facility according to the precise specifications you define. The steel frame is powder coated in Silver Gray, and features an extra large gusset for displaying large lane numbers. The Legacy starting platforms fit the renowned RockSolid anchor system that eliminates platform movement, allowing swimmers more consistent starts, thus lowering their competitive times. Choose from four backstroke handle designs. Available in custom configurations to fit any deck and water height. *Anchors sold separately. Ships FOB Factory.*

SRS-LEGACY-SP-9999A	Legacy Standard <b>(1)</b> - (24"x30" footboard; 21"-26" anchor setback range; 17"-29.5" deck to platform height range)	\$3,148.62
SRS-LGCYL1-SP-9999A	Legacy Long Reach <b>(2)</b> - (24"x32" footboard; 30"-40" anchor setback range; 20"-29.5" deck to platform height range)	\$4,276.62
SRS-LSM-9999A	Legacy Side Mount <b>(3)</b> - (24"x32" footboard; 21"-26" anchor setback range; 19"-29.5" deck to platform height range)	\$3,148.62
SRS-LEGACYIIA	Legacy II Dual Post <b>(4)</b> - (20"x24" footboard; 18" anchor setback range; 17"-29.5" deck to platform height range)	\$2,560.85



## SRSmith Velocity Series Starting Platforms

The fiberglass footboard has outstanding strength as well as a sleek, uniform, hi-tech appearance. The powder-coated, stainless steel frame is secured to the pool deck with a patented RockSolid anchor to eliminate platform movement. Available with TrueTread or Sand Tread. Colorado & Daktronics timing systems compatible. Track start wedge (5 positions) easily tucks under footboard. Optional side handles. Retrofittable onto existing S.R.Smith Legacy frames. Custom colors and logos available on sand treaded footboard. Meets FINA, NCAA, NFSHSA, USMS, USAS competition pool rules and guidelines. *Anchors sold separately. Additional options available including non-track start and long reach models. Ships FOB Factory.*

SRS-VELOSM-TS-TA	Velocity Side Mount Single Post Track Start with TrueTread	\$4,856.76
SRS-VELOSM-TS-SA	Velocity Side Mount Single Post Track Start with Sand Tread	\$4,438.94
SRS-VELO-TS-TA	Velocity Rear Mount Single Post Track Start with TrueTread	\$4,856.76
SRS-VELO-TS-SA	Velocity Rear Mount Single Post Track Start with Sand Tread	\$4,438.94
SRS-VELO-DP-TS-TA	Velocity Side Mount Dual Post Track Start with TrueTread	\$5,049.28
SRS-VELO-DP-TS-SA	Velocity Side Mount Dual Post Track Start with Sand Tread	\$4,794.53
SRS-4175A	Side Handles for Velocity Single Post Platforms	\$918.85
SRS-BLCVR-VELO-WHT-L	Block Cover for Track Start Velocity Platforms, White with Lock	\$437.97



## SRSmith RockSolid Anchors

RockSolid anchor systems are guaranteed to eliminate platform movement, allowing swimmers more consistent starts, thus lowering their competitive times. The anchor securely "hugs" the frame and can be tightened with minimal effort. The RockSolid Anchor allows for permanent or removable starting platform installation.

SRS-27107	RockSolid Anchor <b>(1)</b>	\$750.90
SRS-27108	RockSolid Dual Post Anchor <b>(2)</b>	\$1,384.47





# Starting Platforms



## Xcellerator Starting Platform - Dual Post

Spectrum Aquatics Xcellerator Dual Post starting platforms give swimmers an extra boost on starts by allowing the rear leg to start at a 90 degree angle. Every frame is constructed of high quality US stainless steel, but what really sets our blocks apart from our competitors is the superior nonslip surface. Xcellerator block tops are coated with a grit overlay that provides a level of traction not available in competing products, and our plastic block tops, which are made of low density polyethylene, contain a superior, treaded surface that surpasses industry standards. Conforms to FINA, USA Swimming, NCAA and NFHS rulings. *Anchors sold separately. Ships FOB Factory.*

SPM-133171	Xcellerator Dual Post- 24" x 32" SS footboard, 24" - 38" anchor setback range (includes side handles & track start foot rest)	\$5,657.41
SPM-57741	Record Breaker Dual Post- 24" x 32" footboard, 24" - 38" anchor setback range (NO side handles & foot rest)	\$4,776.48



## Xcellerator Starting Platform - Single Post

Spectrum Aquatics Xcellerator Single Post starting platforms give swimmers an extra boost on starts by allowing the rear leg to start at a 90 degree angle. Every frame is constructed of high quality US stainless steel, but what really sets our blocks apart from our competitors is the superior nonslip surface. Xcellerator block tops are coated with a grit overlay that provides a level of traction not available in competing products, and our plastic block tops, which are made of low density polyethylene, contain a superior, treaded surface that surpasses industry standards. Conforms to FINA, USA Swimming, NCAA and NFHS rulings. *Anchors sold separately. Ships FOB Factory.*

SPM-57282	Xcellerator Single Post- 24" x 32" SS footboard, 24" - 38" anchor setback range (includes side handles & track start foot rest)	\$5,627.62
SPM-57283	Record Breaker Single Post- 24" x 32" footboard, 24" - 38" anchor setback range (NO side handles & foot rest)	\$3,697.18



## Bighorn Starting Platform - Dual Post

The Bighorn starting platform is a classic dual post starting block perfect for both competition and recreation pools. 23"x25" single piece LDPE platform with molded-in, superior non-slip surface- no exposed bolts or hardware. Standard and Long Reach options available. *Anchors sold separately. Ships FOB Factory.*

SPM-21095-00	Bighorn Standard Dual Post- 24" - 30" anchor setback range	\$4,029.50
SPM-21115-00	Bighorn Long Reach Dual Post- 30" - 40" anchor setback range	\$4,692.16



## Grizzly Starting Platform - Single Post

The Grizzly starting platform is not only great for all levels of competition, but it is also ideal for bulkheads and parapets. 23"x25" single piece LDPE platform with molded-in, non-slip surface- no exposed bolts or hardware. Superior stability and performance. Available in red, blue, green, yellow, white. Side step and rear step options available. *Anchors sold separately. Ships FOB Factory.*

SPM-21654	Grizzly Side Step, Single Post- 20" - 30" anchor setback range	\$3,377.76
SPM-21655	Grizzly Rear Step, Single Post- 20" - 30" anchor setback range	\$3,377.76



## Starting Platform Cover & Anchors

The Spectrum Starting Platform Cover features sturdy precision ABS vacuum formed plastic and stops unauthorized use of platforms and protects platform surface. Includes bungee and optional cable lock. Fits competition grade block top sizes up to 25" wide and up to 32" long.

SPM-153174	Starting Block Hard Cover (1)	\$458.49
SPM-21700-02	Anchor, Single Post (2)	749.95
SPM-24070-00	Anchor, Dual Post 6" with caps (10" available) (3)	\$529.73







## Competitor® Competitor 4" & Competitor Gold Metal 6" Racing Lanes

Competitor Racing Lanes' patented flow-through design controls water turbulence by allowing wave energy to be dispersed along the length of the lane. This creates the optimum swimming environment for a swimmer's fastest time. Racing lanes come fully assembled with spring assembly and tension mechanism. Color combinations of any grouping available (White, Red, Yellow, Blue, Green, Black, Maroon, Orange and Purple). [Ships FOB Factory.](#)



COM-200329000	Competitor 4" Racing Lane - 60'	\$565.77
COM-200330000	Competitor 4" Racing Lane - 75'	\$609.02
COM-200331000	Competitor 4" Racing Lane - 25M	\$648.65
COM-200332000	Competitor 4" Racing Lane - 50M	\$1,216.22
COM-200371	Competitor Gold Metal 6" Racing Lane - 60'	\$670.28
COM-200372	Competitor Gold Metal 6" Racing Lane - 75'	\$762.17
COM-200373	Competitor Gold Metal 6" Racing Lane - 25M	\$803.61
COM-200374	Competitor Gold Metal 6" Racing Lane - 50M	\$1,520.72

[Call for additional lengths and configurations.](#)

## Competitor® Racing Lane Common Replacement Parts

COM-200000140	Take Up Reel Cover (1)	\$10.20
COM-200200000	Take Up Reel with Cover and Wrench (2)	\$140.72
COM-200201000	Stainless Steel Spring & Cable Lock (3)	\$54.38
COM-200206000	Stainless Steel Cable Lock (4)	\$6.68
COM-200210000	3/16" SS/Vinyl Coated Cable, per foot (5)	\$1.90
COM-200228000	Bronze Clevis Disconnect with Nickel Plating (6)	\$50.82
COM-200229000	Stainless Steel Disconnect Pin (7)	\$7.50
COM-200347000	4" Body Segment, specify color (8)	\$1.80
COM-200348000	End Segment, specify color (9)	\$1.80
COM-200349000	Donut Float, specify color (10)	\$1.80
COM-200371001	6" Body Segment, specify color (11)	\$4.06
COM-200000080	2" Stainless Steel Extension Hook (12)	\$9.88
COM-200240000	8" Stainless Steel Extension Hook (13)	\$40.22
COM-200241000	14" Stainless Steel Extension Hook (13)	\$45.32



## Competitor® Stor-Lane Reel

The Stor-Lane Reel is designed for easy storage of racing lanes. Rugged crank-and-wind construction stores over 500 feet of 4" Competitor racing lanes, and over 300 feet of 6" Gold Medal racing lanes. The framework is electroplated aluminum, which supports the thermo-formed plastic reel assembly. The Stor-Lane Reel is designed to fit through doorways and maneuvers easily in narrow pool deck areas. The carriage assembly is supported with four 5" swivel casters with individual brakes. [Ships FOB Factory.](#)

COM-200350	Stor-Lane Reel	\$2,198.52
COM-200351	Cover for Stor-Lane Reel, blue only	\$186.95



## Competitor® Backstroke Flags

Competitor cross blended nylon flags meet all FINA, NCAA and USS regulations. Mounting is easy using nylon braided cord or 3/16" Stainless Steel cable. Numbers and letters can be applied. Flags are sold individually and shipped unassembled to allow for customization on site. Specify color(s) when ordering. Available colors: Black, blue, green, navy, orange, purple, red, white, yellow.

COM-200826***	Backstroke Flag, specify color(s), each	\$9.20
COM-200826ZZZ	Flag Silkscreen Charge, each (add \$55 logo set-up charge per color)	\$11.56
COM-200827	3/16" Braided Nylon Cord, per foot	\$.80
COM-200828	Zinc Plated Swivel Hook, each	\$16.84





# Racing Lanes & Pace Clocks

## Competitor® Pace Clocks

The 31" pace clock can be wall mounted or attached to our Roll-A-Way Stand for easy removal and storage. The portable 15" pace clock, available in red or white, is battery operated, using one "AA" battery. [Ships FOB Factory.](#)

COM-200400	Competitor 15" Pace Clock, Red (AA battery)	\$283.14
COM-200405	Competitor 15" Pace Clock, White (AA battery)	\$283.14



## 10" LED Pace Clocks

Whether you're training, competing or coaching, the Colorado Standard Pace Clock conveniently programs workouts and displays them on a splash-proof display. The portable design is perfect for indoor or outdoor use. [Ships FOB Factory.](#)

COL-PCSTANDARD	Basic 10" LED Pace Clock with handle and legs.	\$1,480.70
----------------	--	------------



## Maximum 6" & Forerunner 4.75" Racing Lanes

The AntiWave "Maximum" & "ForeRunner" racing lanes use a unique design concept calculated to form a complete barrier against the waves caused by a swimmer by dispersing them along the lane line and then downwards into the water. They are equipped with Supertensioners, the original turnbuckle tensioning device. Custom sizes and configurations available. 3-year Warranty. Specify disc, float and Supertensioner colors when ordering (Black, Dark Blue, Blue, Purple, Maroon, Red, White, Gray, Teal, Green, Yellow, Orange). [Ships FOB Factory.](#)

ANT-AW0606	AntiWave Maximum 6" - 60'	\$637.50
ANT-AW0607	AntiWave Maximum 6" - 75'	\$760.50
ANT-AW0608	AntiWave Maximum 6" - 25M	\$795.00
ANT-AW0609	AntiWave Maximum 6" - 50M	\$1,452.00
ANT-AW0601	AntiWave ForeRunner 4.75" - 60'	\$511.50
ANT-AW0602	AntiWave ForeRunner 4.75" - 75'	\$589.50
ANT-AW0603	AntiWave ForeRunner 4.75" - 25M	\$655.50
ANT-AW0604	AntiWave ForeRunner 4.75" - 50M	\$1,461.00

[Call for additional lengths and configurations.](#)



## Supertensioner

The "Supertensioner" is the solution to the age-old hassles associated with the traditional drum and ratchet systems. Simply twist to tension or release lane lines. Specify color when ordering (Black, Dark Blue, Blue, Purple, Maroon, Red, White, Gray, Teal, Green, Yellow, Orange). [Ships FOB Factory.](#)

ANT-AW0055	AntiWave Supertensioner	\$105.00
------------	-------------------------	----------



## Ultimate Storeel

The "Ultimate" Storage Reel is the ideal piece of equipment for storing your lane lines when they are not in use. This lightweight, easy to move reel has a large capacity and is unquestionably the most reasonably priced. Holds up to 600' of 4.75" racing lanes and 375' of 6" racing lanes. Assembly required. [Ships FOB Factory.](#)

ANT-AW0615	AntiWave Ultimate Storage Reel	\$1,920.00
ANT-AW0619	Cover for Ultimate Reel	\$204.00



## HydroShot Swimming Pool Basketball Hoop

The HydroShot Adjustable Swimming Pool Basketball Hoop brings premium grade basketball performance to your poolside! The HydroShot Swimming Pool Hoop comes complete with your choice of three clear, professional looking acrylic backboards and breakaway rim. To adjust the unit, simply turn the crank handle positioned for easy access from the pool deck. The unit is infinitely adjustable from regulation 10' down to 6'6". The unique anchor bolt installation design allows you to easily relocate the unit if you ever need to. An anchor bolt cover is provided with each unit. Lifetime Superior Warranty. [Ships FOB Factory.](#)

FIR-HYDRO2	HydroShot II - 36" x 48" Acrylic Backboard	\$5,020.60
FIR-HYDRO3	HydroShot III - 36" x 54" Acrylic Backboard	\$5,089.50
FIR-HYDROSEL	HydroShot Select - 36" x 60" Acrylic Backboard	\$3,243.50



## Dual Post Basketball Hoop

Durable 304L stainless steel construction assures durability. Overhangs pool one foot with a setback from the edge of the pool of two feet. Clear backboard is acrylic with powder-coated supports. Shipped with minimal assembly and includes a net. [Ships FOB Factory.](#)

SPM-57827	Dual Post Basketball Hoop	\$2,377.82
SPM-24060-00	Stainless Steel Anchors (2 Required)	\$148.80



## Basketball Set

Indestructible reinforced 30" x 44" poly backboard has 2' of overhang. The vinyl coated steel rim easily adjusts anywhere from 2' to 6' above water level. A four-way-leveling system accommodates sloped decks. The super-tough polyethylene base weighs 500 lbs. when filled with water. All hardware is powder coated aluminum or stainless steel. Comes complete with regulation size, color matched ball. [Ships FOB Factory.](#)

DUN-B100	Splash & Slam Basketball Set with Stainless Steel Rim	\$969.00
DUN-B110	Water Basketball (1)	\$23.10
DUN-VB003	Water Volleyball (2)	\$19.80



## Commercial Swim N' Spike Volleyball

The Swim N' Spike volleyball game comes with two stainless steel posts that can be plugged into deck anchors when you're ready to play and easily removed when you are finished. Two anchor caps are included that lay flush to your deck. Competitive volleyball, needle and anchors included. [Ships FOB Factory.](#)

SRS-VOLY20	Volleyball Game, 20' Net with Anchors	\$691.62
SRS-VOLYC32	Volleyball Game, 30'-36' Net with Anchors	\$990.57
SRS-VOLYC42	Volleyball Game, 40'-46' Net with Anchors	\$1,108.86
SRS-VOLYC52	Volleyball Game, 50'-56' Net with Anchors	\$1,219.35
SRS-VBK-101	32' Replacement Net, Volleyball & Needle	\$597.81
SRS-VBK-102	42' Replacement Net, Volleyball & Needle	\$716.12
SRS-VBK-103	52' Replacement Net, Volleyball & Needle	\$826.59





# Safety Padding & Play Features

## RenoSys® SoftSide Custom Safety Pads

SoftSide Safety Pads are perfect for today's demanding safety fall zone applications. SoftSide is an incredibly durable, 1" to 4" thick, watertight, textured, slip-resistant covered foam padding system designed for water playground and pool use. Our safety pads are custom built to suit your specific needs and may be owner installed.

SoftSide can be mopped, pressure-washed or sponge-cleaned and passes all CPSC-ASTM 1292 tests for impact attenuation to drop heights of 12'. All SoftSide pads come with a standard 2-year warranty.

Call for a consultation and pricing.

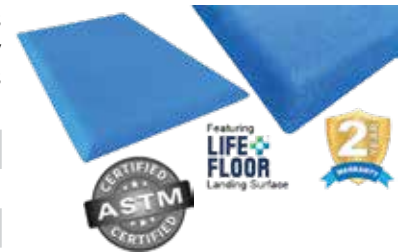


## SLIDEPAD™ Landing & Edge Pads

SlidePad® has enhanced the safety aspects and softness of the landing surface by featuring beveled edges and a top landing surface from Life Floor, the #1 aquatic flooring in the industry. Life Floor's proprietary Ripple texture landing surface provides a slip-resistant surface that is ASTM 1292-18E1 84 rated and meets critical fall height requirements up to 7 feet. [Ships FOB Factory.](#)

SLI-SP02034	SlidePad Underwater Landing Pad- 3' x 4' x 2", Blue	\$1,125.00
SLI-SP02035	SlidePad Underwater Landing Pad- 3' x 5' x 2", Blue	\$1,462.50
SLI-SP02046	SlidePad Underwater Landing Pad- 4' x 6' x 2", Blue	\$1,912.50
SLI-SP02048	SlidePad Underwater Landing Pad- 4' x 8' x 2", Blue	\$2,362.50

[Call for pricing on custom fabricated pads.](#)



## Everlast Climbing® Kersplash Pool Climbing Walls

Kersplash pool climbing walls are made by the experts. A team of climbers and aquatics professionals have put together this top-of-the line product. Made with 100% stainless steel, Kersplash was designed to outlast in harsh indoor and outdoor aquatic settings. The stainless steel is passivated and coated with Spectra-Shield and the sturdy panels and hand holds are UV treated.

Kersplash pool climbing walls can be designed for any size or application up to 16 feet high. They are available in Crystal Clear or Color panels.

Call for a consultation and pricing.



## FAST Themed Water Features and Characters

FAST Corporation is the premier manufacturer of fiberglass statues, roadside attractions, themed water slides, and creations of all kinds. They have hand-crafted fiberglass into statues and attractions for thousands of organizations around the world. These sculptures are designed to withstand rigorous use and the weather for decades with little maintenance requirements.

A wide variety of designs are available or bring your own unique ideas for custom fabrication.

Call for a consultation and pricing.





## Horizon is a Certified Installer of Life Floor

Life Floor enhances aquatic facilities with foam-rubber tiles that combine safety, comfort, durability, and design to provide an ideal surface where all types of recreation are possible. Horizon is a certified installer of Life Floor products for use on areas like pool decks, splash pads, locker rooms, and walkways. To learn more, reach out to Horizon at 651.917.3075.

### INCREASED COMFORT

Life Floor surfaces are cushioned and easier on joints than typical ceramic tile decks, making standing for long periods more comfortable and enjoyable. Slip-resistant textures increase play value and safety.

### TAILORED DESIGN

Life Floor tiles come in a variety of shapes and colors. With custom design capabilities and a dedicated Design Studio, pool decks can feature unique patterns, graphics, and logos for branding or theming.

### ACCESSIBLE SURFACES

Life Floor is ADA compliant and offers different textures that can be used for tactile sensory cues around water. Colors can also be used for low-vision inclusion to show greater contrast between areas.

## THIRD-PARTY CERTIFIED FOR USE IN AQUATIC FACILITIES

NSF/ANSI/CAN 50 recommends that all pool perimeters and water play venues feature certified slip-resistant surfacing. Life Floor is the first and only product to meet this standard and has been third-party tested to demonstrate it is:

- Slip-resistant and non-abrasive to reduce injuries
- Cushioned for added comfort and fall protection
- Impervious and does not support microbial growth
- Easy to maintain due to modularity and cleanability
- UV Resistant
- Chemical Resistant



Certified to  
NSF/ANSI/CAN 50



# Lights & Accessories

## **PENTAIR** Intellibrite Architectural Series White POOL Light

**TRADEGRADE**

The IntelliBrite Architectural Series Lights deliver a more dazzling and dynamic LED pool lighting experience with a brighter light and greater energy efficiency. Uses 94% less power than incandescent and 44% less power than first generation LED. Spreads light widely and evenly in all directions to minimize hot spots, dark areas, glare and stripes.

31 Watt, 120V, White LED, 500W Equivalent (Available in 12V)



PEN-602177	30' Cord	\$1,065.76
PEN-602178	50' Cord	\$1,101.26
PEN-602179	100' Cord	\$1,184.15
PEN-602180	150' Cord	\$1,243.35

## **PENTAIR** Intellibrite Architectural Series White SPA Light

**TRADEGRADE**

The IntelliBrite Architectural Series Lights deliver a more dazzling and dynamic LED pool lighting experience with a brighter light and greater energy efficiency. Uses 94% less power than incandescent and 44% less power than first generation LED. Spreads light widely and evenly in all directions to minimize hot spots, dark areas, glare and stripes.

18 Watt, 120V, White LED, 100W Equivalent (Available in 12V)



PEN-602193	30' Cord	\$898.17
PEN-602194	50' Cord	\$928.12
PEN-602195	100' Cord	\$997.96
PEN-602196	150' Cord	\$1,047.86

## **PENTAIR** Intellibrite Architectural Series Multi-Color POOL Light

**TRADEGRADE**

The IntelliBrite Architectural Series Color Pool Light is now 60% brighter and 50% more energy efficient. Choose from five brilliant, vibrant colors or seven dynamic color-changing light shows to suit any poolside mood.

28 Watt, 120V, Multi-Color LED (Available in 12V)



PEN-602185	30' Cord	\$1,480.19
PEN-602186	50' Cord	\$1,529.51
PEN-602187	100' Cord	\$1,644.64
PEN-602188	150' Cord	\$1,726.87

## **PENTAIR** Intellibrite Architectural Series Multi-Color SPA Light

**TRADEGRADE**

The IntelliBrite Architectural Series Color Pool Light is now 60% brighter and 50% more energy efficient. Choose from five brilliant, vibrant colors or seven dynamic color-changing light shows to suit any poolside mood.

18 Watt, 120V, Multi-Color LED (Available in 12V)



PEN-602201	30' Cord	\$1,213.74
PEN-602202	50' Cord	\$1,254.20
PEN-602203	100' Cord	\$1,348.60
PEN-602204	150' Cord	\$1,416.03

## **PENTAIR** Amerlite Incandescent POOL Light

AmerLite, the world standard of reliability for underwater lights, features a stainless steel shell, glass lens, and stainless steel face-ring with uni-tension clamp. AmerLite's are UL listed to install in full-sized Pentair, American, Pac-Fab and Purex niches.

500 Watt, 120V, Incandescent



PEN-78451100	15' Cord	\$439.25
PEN-78458100	50' Cord	\$520.47
PEN-78456300	100' Cord	\$633.20

See pages 159-160 for select light part breakdowns.



## **HAYWARD** Universal CrystaLogic White LED Pool & Spa Lights

Universal CrystaLogic White LED Lighting is UL listed to retrofit virtually any installed niches, allowing most lights to be upgraded. These 12V, 2-wire, all-plastic lights can be installed as close as 4 inches from the waterline, and even upward facing without a rock guard, opening a wide range of new applications. The junction box retrofit kits easily convert any existing 120V system to low-voltage in minutes and are available for the most popular junction boxes. Lights also available in color LED.

HAY-LSLUS11050	CrystaLogic White LED <u>Spa</u> Light, 12V, 100W Equiv., 50' cord	\$957.31
HAY-LSLUS11100	CrystaLogic White LED <u>Spa</u> Light, 12V, 100W Equiv., 100' cord	\$1,062.33
HAY-LPLUS11050	CrystaLogic White LED <u>Pool</u> Light, 12V, 300W Equiv., 50' cord	\$967.87
HAY-LPLUS11100	CrystaLogic White LED <u>Pool</u> Light, 12V, 300W Equiv., 100' cord	\$1,076.00
HAY-LPWUS11050	CrystaLogic White LED <u>Pool</u> Light, 12V, 500W Equiv., 50' cord	\$1,138.24
HAY-LPWUS11100	CrystaLogic White LED <u>Pool</u> Light, 12V, 500W Equiv., 100' cord	\$1,246.75
HAY-LPWUS11150	CrystaLogic White LED <u>Pool</u> Light, 12V, 500W Equiv., 150' cord	\$1,381.97
HAY-LJBUY00PP1	Hayward Junction Box, 120V/12V	\$92.88
HAY-LRBUY11H65	Junction Box Retrofit Kit - Hayward models SP0680 & SP0681	\$187.03
HAY-LRBUY11P65	Junction Box Retrofit Kit - Pentair	\$183.15



## **J&J Electronics** PureWhite LED Series POOL Fixtures (Swimquip Replacement)

J&J Electronics PureWhite LED light fixtures and lamps offer unmatched brightness and energy efficiency for pool and spa lighting. Utilizing high performance Cool White LEDs, the appearance of pool water is improved by producing brilliant, natural looking light; making PureWhite fixtures and lamps the perfect choice for everything from heavy use commercial application to backyard family pools. Fits Swimquip niches. [Many additional options available, including 12V, more cord lengths, and more niche configurations. Call for options.](#)

HAL-LPL-F3W-120-50-PSQ	PureWhite LED Pool Light 120V, 58W, 500W Equiv., 50 ft Cord	\$996.66
HAL-LPL-F3W-120-100-PSQ	PureWhite LED Pool Light 120V, 58W, 500W Equiv., 100 ft Cord	\$1,096.04
HAL-LPL-F5W-120-100-PSQ	PureWhite LED Pool Light 120V, 87W, 600W Equiv., 100 ft Cord	\$1,300.80



## **J&J Electronics** PureWhite LED Series SPA Fixtures

J&J Electronics PureWhite LED light fixtures and lamps offer unmatched brightness and energy efficiency for pool and spa lighting. Utilizing high performance Cool White LEDs, the appearance of pool water is improved by producing brilliant, natural looking light; making PureWhite fixtures and lamps the perfect choice for everything from heavy use commercial application to backyard family pools. Fits select Pentair, Hayward & Jandy niches. [Many additional options available, including 12V, more cord lengths, and more niche configurations. Call for options.](#)

HAL-LPL-S1W-120-50-P	PureWhite LED Spa Light 120V, 13W, 100W Equiv., 50 ft Cord	\$721.18
HAL-LPL-S1W-120-100-P	PureWhite LED Spa Light 120V, 13W, 100W Equiv., 100 ft Cord	\$752.56



## Light Adapter Rings

Light ring adapters can be used on old or damaged niches to revive your existing light instead of costly niche replacement.

ALL-500B	Brass Light Adapter Ring – Hayward	\$178.44
ALL-500C	Brass Light Adapter Ring – American	\$172.37



## Pool Light Anti-Electrolysis Zinc Anode

The sacrificial zinc anode gives up its' ions before the metal in the lights extending the life of any underwater light. No modifications to light required.

POT-104F	Pool Light Anti-Electrolysis Zinc Anode	\$30.00
----------	---	---------



See pages 159-160 for select light part breakdowns.

## J&J Electronics PureWhite-PRO LED Pool/Spa Lamps (Cool White)

PureWhite® LED replacement lamps offer unmatched brightness and energy efficiency for pool and spa lighting. Utilizing high performance Cool White LEDs, the appearance of pool water is improved by producing brilliant, natural looking light. Compatible with most manufacturers fixtures

HAL-LPL-PRHO-CW-120	PureWhite-PRO Pool Lamp, 120V, 37W, 500W Equiv	\$184.80
HAL-LPL-PR2-CW-120	PureWhite-PRO Pool Lamp, 120V, 28W, 300W Equiv	\$147.83
HAL-LPL-PR2-CW-12	PureWhite-PRO Pool Lamp, 12V, 32W, 300W Equiv	\$147.83
HAL-LPL-M2-CW-120	PureWhite-PRO Spa Lamp, 120V, 13W, 100W Equiv	\$111.73
HAL-LPL-M2-CW-12	PureWhite-PRO Spa Lamp, 12V, 15W, 100W Equiv	\$111.73

OEM replacement bulbs ordered by manufacturer part number.



## J&J Electronics ColorSplash LXG-W LED Pool/Spa Lamps

J&J Electronics' Color Splash® Series of replacement lamps offer a variety of lighting colors and shows. With five solid color and seven lights shows, instantly transform any pool or spa into a custom illuminated paradise. Compatible with most manufacturers fixtures

HAL-LPL-P3-RGBW-120	ColorSplash LXG-W Pool Lamp, 120V, 17W	\$292.70
HAL-LPL-P3-RGBW-12	ColorSplash LXG-W Pool Lamp, 12V, 16W	\$292.70
HAL-LPL-S3-RGBW-120	ColorSplash LXG-W Spa Lamp, 120V, 7W	\$153.98
HAL-LPL-S3-RGBW-12	ColorSplash LXG-W Spa Lamp, 12V, 6W	\$153.98

OEM replacement bulbs ordered by manufacturer part number.



## Replacement Light Bulbs - Incandescent

HAL-R40FL500/HG	500W, 120 Volt Medium Base, R40	\$39.23
HAL-HP16NFL60/120	60W, 120 Volt Medium Base Spa Bulb (while supplies last)	\$21.30

Incandescent lights and replacement bulbs under 500W are no longer available



## Common Replacement Light Gaskets

PEN-79101600Z	Lens Gasket- Amerlite/Intellibrte Pool (1)	\$53.64
PEN-79108500Z	Lens Gasket- Spa-brite/Intellibrte Spa (2)	\$25.41
HAY-SPX0540Z2	Lens Gasket- Duralite/Starlite (3)	\$47.27
PEN-05057-0118Z	Lens Gasket- Swimquip (4)	\$77.22



## Light Accessories

POT-132	Light Wedge (1)	\$20.25
PEN-78310600	Junction Box, Lexan- 3/4" Taps (2)	\$51.23
PEN-78310700	Junction Box, Lexan- 1" Taps (2)	\$53.18
GPT-QCS1	3/4" Cord Stopper	\$8.69
GPT-QCS2	1" Cord Stopper	\$9.61



See pages 159-160 for select light part breakdowns.





## Secur-A-Pool Mesh Safety Covers

GLI safety covers keep your pool clean and safe during the off-season by guarding against accidental intrusion by children, pets and other animals. GLI Secur-A-Pool safety covers are renowned for their strength, durability and ease of installation. Secur-A-Pool safety covers meet or exceed safety cover performance standards as set forth in ASTM F1346-91.

### Secur-A-Pool Features:

- Strong "safety minded" construction - Secures pool against accidental intrusion by children and pets.
- Tamper proof design. Cover cannot be removed inadvertently without installation rod.
- Made from tough UV inhibited polypropylene fabric.
- Lasts longer, resists tearing, rotting and stretching.
- Open mesh construction. Allows water and snow to filter through, screening out leaves and other debris.
- Stainless steel & brass hardware.
- Lightweight! Easy to handle. User-friendly. Can be installed or removed in minutes.
- Taut, Tailor-made fit. Enhances beauty of pool during off-season.
- 15 Year Limited Warranty with 3 year full coverage
- Cost efficient. Saves costly seasonal maintenance (i.e. painting, plastering, acid washing, etc).
- Available in blue or green.
- Meets or exceeds safety cover performance standards as set forth in ASTM F 1346-91
- Custom fit for your in-ground pool.
- Made in the USA.



**SECUR-A-POOL<sup>®</sup>**  
MESH SAFETY COVER



GLI-20-CUSTOM-SAP	Secur-A-Pool Cover – Custom Shape, Size, Color	Call for Quote
GLI-20-1632RE-SAP-GRN	Secur-A-Pool Cover – 16' x 32' Rectangle Pool, Green	\$1,708.92
GLI-20-1636RE-SAP-GRN	Secur-A-Pool Cover – 16' x 36' Rectangle Pool, Green	\$1,924.82
GLI-20-1836RE-SAP-GRN	Secur-A-Pool Cover – 18' x 36' Rectangle Pool, Green	\$2,010.91
GLI-20-1840RE-SAP-GRN	Secur-A-Pool Cover – 18' x 40' Rectangle Pool, Green	\$2,215.73
GLI-20-2038RE-SAP-GRN	Secur-A-Pool Cover – 20' x 38' Rectangle Pool, Green	\$2,222.13
GLI-20-2040RE-SAP-GRN	Secur-A-Pool Cover – 20' x 40' Rectangle Pool, Green	\$2,226.44
GLI-20-2042RE-SAP-GRN	Secur-A-Pool Cover – 20' x 42' Rectangle Pool, Green	\$2,448.20
GLI-20-2044RE-SAP-GRN	Secur-A-Pool Cover – 20' x 44' Rectangle Pool, Green	\$2,468.14
GLI-20-2050RE-SAP-GRN	Secur-A-Pool Cover – 20' x 50' Rectangle Pool, Green	\$2,865.76
GLI-20-2440RE-SAP-GRN	Secur-A-Pool Cover – 24' x 40' Rectangle Pool, Green	\$2,724.41
GLI-20-2550RE-SAP-GRN	Secur-A-Pool Cover – 25' x 50' Rectangle Pool, Green	\$3,400.78
GLI-20-3050RE-SAP-GRN	Secur-A-Pool Cover – 30' x 50' Rectangle Pool, Green	\$3,819.79
GLI-20-3060RE-SAP-GRN	Secur-A-Pool Cover – 30' x 60' Rectangle Pool, Green	\$4,000.24

Available in Blue, Gray & Tan. Call for information on additional options and custom covers.

Sizes are given for actual pool size; add 2 feet to each dimension for actual cover size for deck overlap.



## Common Safety Cover Parts

GLI-99-20-9100003	Brass Anchor Complete, Screw Down (1)	\$15.43
GLI-99-20-9100004	Buckle, Stainless Steel, Secur-A-Pool (2)	\$4.39
GLI-99-20-9100006	Cover Installation Rod (3)	\$46.16
GLI-99-20-9100007	Anchor Key, Secura Allan Wrench (4)	\$15.17
GLI-99-20-9100010	Tamping Tool for Anchor Install, Aluminum (5)	\$10.80
GLI-99-20-9100026	Brass Anchor, Threaded Insert only (6)	\$8.32
GLI-99-20-9100104	Heavy Duty Commercial Spring with Protector (7)	\$9.61
GLI-99-20-9100110	Spring Protector/Cover, 8in Spring (8)	\$7.24
GLI-99-20-9100111	8in Cover Spring with Protector (9)	\$18.35



# Solar Covers

## Liquid Solar Pool Cover

Heatsavr is an effective liquid solar pool cover that greatly reduces heat loss and evaporation from your exposed pool surface. Heatsavr is made of simple biodegradable ingredients that form the best barrier currently available to slow the heat and water loss that causes high pool room humidity, and high facility heating bills. Can be manually dosed daily or automatically dosed using the Heatsavr Automatic Metering System.

**Benefits:**

- Keeps pools warmer, longer
- Save money, time, water and energy
- Safe for filters, skimmers and pumps
- Reduce energy and heat loss by up to 40%
- Average payback ratio of 10:1 to 20:1
- Lower humidity levels for indoor facilities

Daily dosage rate- Pools: 1 oz per day for every 400 sq. ft. of pool surface area  
Spas: 1 oz per day for every 50 sq. ft. of spa surface area



FLE-HS480	Heatsavr Liquid Pool Cover- 1 Quart Bottle (35 Oz.)	\$29.33
FLE-HS560-4x1	Heatsavr Liquid Pool Cover- 4x1 Gl. Case (140 Oz. Btls.)	\$369.60
FLE-HS700	Heatsavr Liquid Pool Cover- 5 Gl. Pail (700 Oz. Pail)	\$396.00
FLE-HS115	Heatsavr Automatic Metering Pump	\$370.50

## ThermGard Insulated Pool Cover

ThermGard covers are the culmination of over 20 years of pool cover manufacturing experience. Each raw material is of the highest quality available. Covers are custom made to ensure proper fit. Cutouts for ladders, handrails, slides and other items are included. Optional wind edging is available to offer wind resistance. Lock stitching is used throughout each cover to provide strong, durable seams. Completed covers are labeled in accordance with industry standard. [Complies with ASTM Standards.](#)

Call for Current Pricing on Blankets and Reels.



## Thermal Cover Storage Reel

The Thermal Cover Storage Reels are specifically designed and engineered for cover handling ease and durability. Each reel is constructed entirely of grade 305 stainless steel. The reel frames are the only all-welded units in the industry. Heavy duty .120" tubing offers capacity of 150 lineal feet of cover per winding tube. Reels are available in single, double and triple winding tube configurations. These reels combined with the ThermGard Insulated Pool Cover make the ideal pool cover system.

Call for Current Pricing on Blankets and Reels.





Our experienced, professional technicians provide a wide range of services for commercial swimming pools, spas and aquatic facilities. A few of the services we provide include:



- Chemical Automation
- Spring Start-Up & Winterization
- Daily Maintenance Services
- Fast Reliable Efficient Direct
- Winter Cover Installation
- Filter Maintenance
- Pump Installation & Repair
- Underwater Repairs
- Water Level Controls

- Equipment Repair & Installation
- Filter Replacement
- Heater Installation & Repair
- Underwater Lighting
- Pool Lift Installation & Repair
- Play Feature Installation & Restoration
- Water Slide Install & Restoration
- Starting Block Installation
- Diving Boards & Platforms
- Main Drain Compliance
- VGB & ADA Compliance
- Electrical & Venting
- Pool & Spa Renovation
- Leak Detection & Repair
- Plumbing



- Surface Cleaning
- Tile Repair & Replacement
- Coping Stone Repair & Replacement
- Plaster Resurfacing
- Painting & Patching
- Concrete Repair & Replacement
- Spa Repair & Installation
- Energy Audits
- Consulting Services

These services, among many others, are performed comprehensively and professionally. Please call us at 651.917.3075 to inquire about any services you would like more information about.

## Quotes, Proposals, Estimates, and Consultations

Repairs to your pool or spa can be costly and disruptive. We provide free quotes, estimates and consultations to provide you with the information and tools that you need to operate your pool or spa efficiently. Whether we provide the service or just supply the products you need to do it yourself, we will be there to assist you in any way possible.

# Spring Start-Up

## HORIZON Pool Start-Up Services

Our outstanding service department offers a full range of pool start-up services to ensure that you will have your pool operating for the summer season. The standard Pool Start-Up includes removing plugs and installing inlet fittings, re-assembling equipment and purging anti-freeze, lubricating lid o-rings and checking gaskets, installing ladders and handrails, starting circulation system(s), and checking system operation and pool equipment to ensure proper operation and flow. We are also happy to review any maintenance staff questions or concerns.

Spring is also a great time to maintain or update your swimming pool. Call for bids on spring projects early so we are sure to fit you into our spring-time schedule.

See pages 2-20 for complete list of start-up and balancing chemicals and testing supplies.



Outdoor Swimming Pool Start-Up (Standard Systems)	\$520.00
Outdoor Spa Start-Up	\$520.00
Remove & Flake Winter Pool Cover (allow to dry)	\$185.00
Clean & Acid Wash Swimming Pool	Starting at \$1,750.00
Media Replacement in Sand Filter	Starting at \$550.00
Drain, Clean & Start-Up Pool (Standard Pools/Systems)	\$2,785.00



### Beautec Scale-Stain-Scum Preventative Surface Cleaner

The ultimate pool surface protection for superior scale, stain, and scum control and removal. New Synertec® polymer technology provides unsurpassed surface protection without phosphates and acids. Beautec® also removes existing scale buildup on tile and salt cell generators without scrubbing and use of harsh acid cleaners.



1-MCG22064	64 Oz Bottle	\$61.74
------------	--------------	---------



### Algatec Synergy Algaecide

Algatec is a synergistic algaecide, water clarifier and chlorine booster for all types of swimming pools. Algatec kills green and yellow algae in 4 to 24 hours and eradicates black algae (fungus) in 7 to 10 days.

Dosage: 40 ounces treats 10,000 gallons of water with visible algae.



1-MCG10064	64 Oz Bottle	\$60.84
------------	--------------	---------

## HORIZON Preventative Pool Heater Maintenance

Keep your pool or spa heater working with annual heater maintenance. Benefits of annual heater maintenance include increased heater efficiency, extended heater life, reduced heater down time, and can prevent expensive repairs.

Heater Maintenance Includes\*:

- Inspection of all components
- Remove and clean interior and exterior of heat exchanger
- Clean burners and burner tray
- Clean and grease all electrical connections
- Clean internal bypass valve

Please call us at 651-917-3075 to schedule service

\*Standard efficiency heaters up to 500K BTU only. Does not include any parts that require replacement.



Preventative Pool Heater Maintenance (first heater)	\$450.00
Each additional heater on same visit	\$350.00

## HORIZON Pool Winterizing Services

Our outstanding service department offers a full range of pool winterizing services to ensure that you will have a worry free winter. Pool Winterization include blowing out all circulation lines, winterizing equipment, removing ladders/rails, removing all inlet fittings, blowing swimming pool anti-freeze through plumbing lines, and plugging all lines for the winter. Also consider having us attach and adjust your winter safety cover.

\*Anti-freeze and closing materials (plugs, gizzmos, etc) are not included in price of closing.



Outdoor Swimming Pool (Single Pump Standard System)	\$520.00
Outdoor Spa (Standard System)	\$520.00
Attach Pool Safety Cover (Standard 20x40)	\$185.00
Non-Standard Pools/Multiple Bodies of Water	Call for pricing



## Pooltec Fall-Winter Pool Treatment

Pooltec Fall-winter Treatment provides strong, lasting winter protection that outlast winterizing kits and other winter treatments. Contains an all season algaecide, water clarifier, non-chlorine treatment, and powerful sequesterant.

32 ounces treats 10,000 gallons.



1-MCG36664	64 Oz Bottle	\$56.91
------------	--------------	---------

## Gizzmos

Designed to absorb expansion of winter water freeze in skimmers. Tapered threads fit most skimmers.



MKW-GIZZMO	Standard Gizzmo	\$16.56
MKW-NSUPER	Super Gizzmo 1½"/2"	\$25.20

## Winterizing and Test Plugs

AMG-HWP204	#4 Plug ¾"-1" Pipe	\$5.60	AMG-HWP210	#10 Plug 1½" Fitting	\$8.05
AMG-HWP205	#5 Plug	\$5.60	AMG-HWP211	#11 Plug 2" Pipe	\$10.50
AMG-HWP206	#6 Plug 1" Fitting	\$5.90	AMG-HWP212	#12 Plug 2" Fitting	\$12.20
AMG-HWP207	#7 Plug 1¼" Pipe	\$6.50	AMG-HWP213	#13 Plug 2½" Pipe	\$15.70
AMG-HWP208	#8 Plug 1½" Pipe	\$7.00	HAY-SP1022C	Plug with O-ring, 1½" MIP	\$3.98
AMG-HWP209	#9 Plug 1½" Pipe-1¼" Fitting	\$7.35			





# FRED Daily Maintenance Services

Many commercial properties now have a community pool, and Horizon Commercial Pools is the premier pool maintenance provider to service them. FRED offers daily or weekly commercial pool maintenance that can fit any need, schedule, and budget. Whether it's filling in for an on-site caretaker or operating your pool for a full season—we are here for you to keep your public pool in pristine shape.



## F R E D

Daily Maintenance Service

Our Certified Pool Operators and service technicians maintain the pools and bathhouses on your property. If an issue arises, we will send an email update to the property manager, which may include chemical readings, descriptions of the work completed, and a list of any items that need to be addressed.

### **Our Commercial Maintenance Service Includes:**

Checking and adjusting the pool temperature, water levels, and chemical balancing

Skim cleaning the pool surface

Vacuuming the pool bottom and sides

Cleaning the filter baskets

Confirming the security of the cover(s)

Inspecting the pool drain(s) for proper operation

Checking pool filters and backwashing if necessary

Hosing off the pool deck and inspecting it for trash, debris, or damage

Emptying trash receptacles and replacing the bags

Straightening patio furniture and watering any pool area plants

Many additional services items are available upon request

We are happy to help with an estimate for the maintenance services you need at your facility.



## Certified Pool and Spa Operator Seminars



This two day course is designed to provide the skills and knowledge necessary to safely and efficiently manage and operate swimming pools and spas, and meet the mandatory State Health Department requirements for pool operator certification.

The CPO Seal of Approval is assurance to pool and spa owners from hotels and college pools to water parks that their facilities and swimmers are under the supervision of trained professionals.

CPO's are trained in the most advanced techniques in: safety, water chemistry, maintenance, management, water testing, state health codes and requirements, pool liability, and disease control. Course outline also includes the following topics: Pool Calculations, Filtration and Recirculation, Spas, Water Problems, Renovation, Energy Efficiency, and Suction Safety Laws.

### **Certification is valid for five years.**

- Recognized nationally, internationally, and widely accepted by local & state authorities for the required staff training needs.
- Includes a comprehensive handbook covering the topics discussed in class.
- Now eligible for IACET Continuing Education Units (CEUs).

For additional information or to register visit us Online at [www.CPOseminars.com](http://www.CPOseminars.com),  
Email us at [seminars@horizonpoolsupply.com](mailto:seminars@horizonpoolsupply.com), or call 651.917.3075



## Aquatic Facility Operator Seminars



The Aquatic Facility Operator (AFO) program is an advanced, state-of-the-art educational training program specifically designed for those persons managing, operating and maintaining aquatic facilities. The AFO certification will provide the skills necessary to make your facility more safe and efficient.

This 2 day course provides in-depth instruction in all facets of aquatic facility operation and management including filtration, disinfection, water testing and treatment, design considerations, facility management, pool safety, new technologies, facility troubleshooting, risk management, hot tub and spa operation, Local and National Laws and much more!! Each class will include a guest speaker discussing new trends in the Aquatics field.

Upon successful completion of the 50 question AFO exam, participants will satisfy The State of Minnesota's certification requirements for Public Pool Operators and will also be certified by the National Certification Board of the NRPA.

### **Certification is valid for five years.**

- Recognized nationally, internationally, and widely accepted by local & state authorities for the required staff training needs.
- Includes a comprehensive handbook covering the topics discussed in class.
- Renewable through CEU credits or a challenge test.

For additional information or to register visit us Online at [www.AFOtraining.com](http://www.AFOtraining.com),  
Email us at [seminars@horizonpoolsupply.com](mailto:seminars@horizonpoolsupply.com), or call 651.917.3075



# Chemical Feeder Replacement Parts

The following pages are part breakdowns for the most common chemical feeders, lights, filters, valves, pumps and heaters. You can use these breakdowns to help you determine parts that you would like to order. Please refer to the MFG# when ordering from these pages. As always, if you are unsure of the parts needed to correct a specific problem please call us at 651.917.3075 for assistance.

KEY	MFG#	DESCRIPTION
1	PEN-172052	CAP WRENCH
2	PEN-172008W	3 IN. THREADED CAP - WHITE
3	PEN-172009	O-RING, CAP

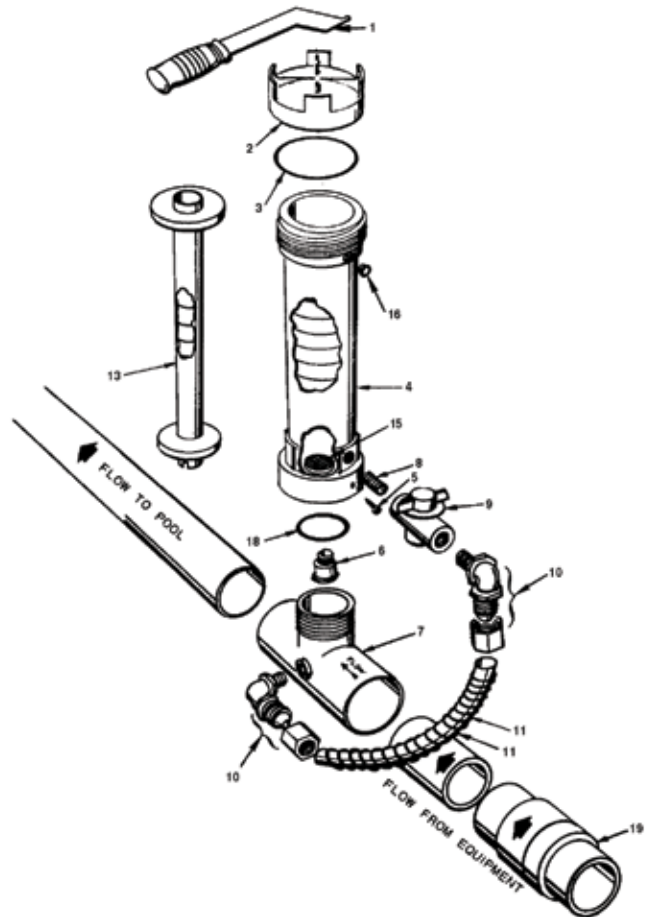
If you are unable to locate the breakdown for a specific product call us for assistance with determining what parts are needed for your specific product.

## RAINBOW IN-LINE FEEDERS

### MODEL 320

KEY	MFG#	DESCRIPTION
1	PEN-R172052	CAP WRENCH
2	PEN-R172008W	3 IN. THREADED CAP - WHITE
3	PEN-R172009	O-RING, CAP
4	PEN-R172321	#320 BODY ONLY (NEW STYLE)
5	PEN-R01052	LOCK SCREW
6	PEN-R172248	CHECK VALVE
7	PEN-R172317	DIVERTER TEE 1-1/2 NPT X 2 IN SLIP
8	PEN-R172256	1/2 IN X SHORT MPT NIPPLE
9	PEN-R172086	1/2 IN CONTROL VALVE
10	PEN-R172272	1/2 IN NPT X TUBE 90° ELL W/NUT
11*	PEN-R172091	5/8 IN O.D. SHORT FEEDER TUBE
11	PEN-R171097	TUBE SUPPORT SPRING
13	PEN-R172037	SPA CHAMBER
15	PEN-R210396	SCREEN
16	PEN-R172134	1/2 IN NPT PVC PLUG
18	PEN-R172319	BOTTOM O-RING
19	PEN-R172288	1-1/2 IN CORROSION RESISTANT CHECK VALVE

\* THIS TUBING SHOULD BE FITTED WITH A SUPPORT SPRING (RPL-171097). ONE FT REQUIRED PER CHLORINATOR.



See page 36 for complete feeders.

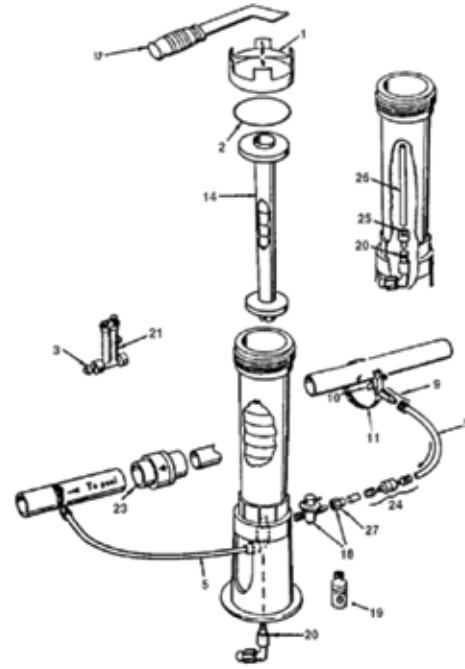




## RAINBOW FREE STANDING FEEDERS

MODELS 300, 302, 300-19, AND 300-29

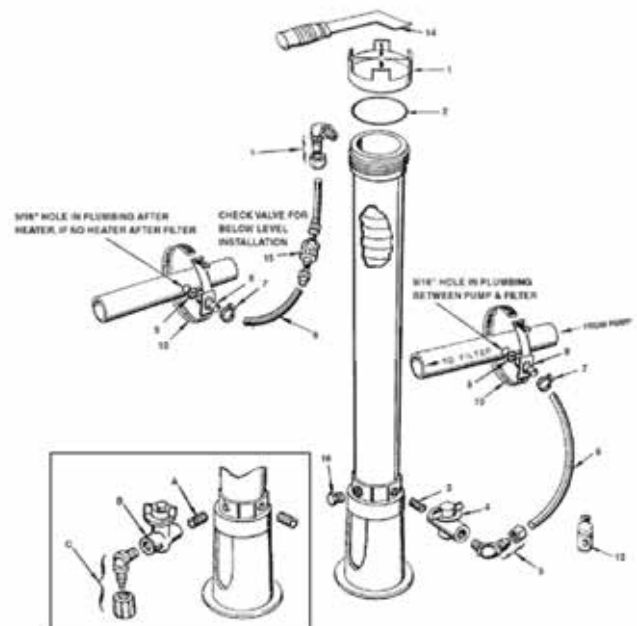
KEY	MFG#	DESCRIPTION
1	PEN-R172008W	THREADED CAP, WHITE
2	PEN-R172009	O-RING, CAP
3	PEN-R172020	CHECK VALVE OLD STYLE
5	PEN-R172023	3/8 INCH OD X 1/4 INCH ID TUBING, 8 FEET
9	PEN-R172032	TUBE FITTING WITH COMPRESSION NUT
10	PEN-R172033	GASKET
11	PEN-R172034	SADDLE CLAMP
14	PEN-R172037	SPA CHAMBER #302 ONLY
17	PEN-R172052	CAP WRENCH
18	PEN-R172060	CONTROL VALVE, 1/4 INCH NPT X TUBE WITH COMPRESSION NUT
19	PEN-R172036	SILICONE LUBRICANT
20	PEN-R172061	COMBINATION CHECK VALVE/ELBOW
21	PEN-R172080	FLOW INDICATOR WITH CHECK VALVE
23	PEN-R172288	1 1/2 INCH - 2 INCH CORROSION RESISTANT CHECK VALVE
24	PEN-R172323	1/4 INCH CORROSION RESISTANT CHECK VALVE
25	PEN-R172061B	STANDPIPE ADAPTER, BROMINE
26	PEN-R18761	6 INCH STANDPIPE 3/8 INCH OD X 1/4 INCH ID
27	PEN-R18706	COMPRESSION NUT ONLY



## RAINBOW FREE STANDING FEEDERS

MODEL 300-29X

KEY	MFG#	DESCRIPTION
1	PEN-R172008W	THREADED CAP, WHITE
2	PEN-R172009	O-RING, CAP
3	PEN-R172256	1/2 INCH X SHORT MPT NIPPLE
4	PEN-R172086	1/2 INCH CONTROL VALVE
5	PEN-R172272	1/2 INCH 90 DEGREE NPT X TUBE FITTING WITH NUT
5	PEN-R172274	COMPRESSION NUT ONLY
6	PEN-R172269	1/2 INCH ID FEEDER TUBE, 12 FEET
7	PEN-R175013	SS TUBING CLAMP
8	PEN-R172262	SADDLE TUBE FITTING
9	PEN-R172263	SADDLE GASKET
10	PEN-R172264	SADDLE CLAMP
10A	PEN-R172264XL	SADDLE CLAMP FOR 3, 4 AND 6 INCH PIPE
11	PEN-R172392	1/4 INCH MPT PVC PLUG (OLD STYLE)
13	PEN-R172036	SILICONE LUBRICANT
14	PEN-R172052	CAP WRENCH
15	PEN-R172324NS	1/2 INCH CORROSIAN RESISTANT CHECK VALVE, TUBE X TUBE (BALL)
16	PEN-R172134	1/2 INCH MPT PVC PLUG



See page 36 for complete feeders.

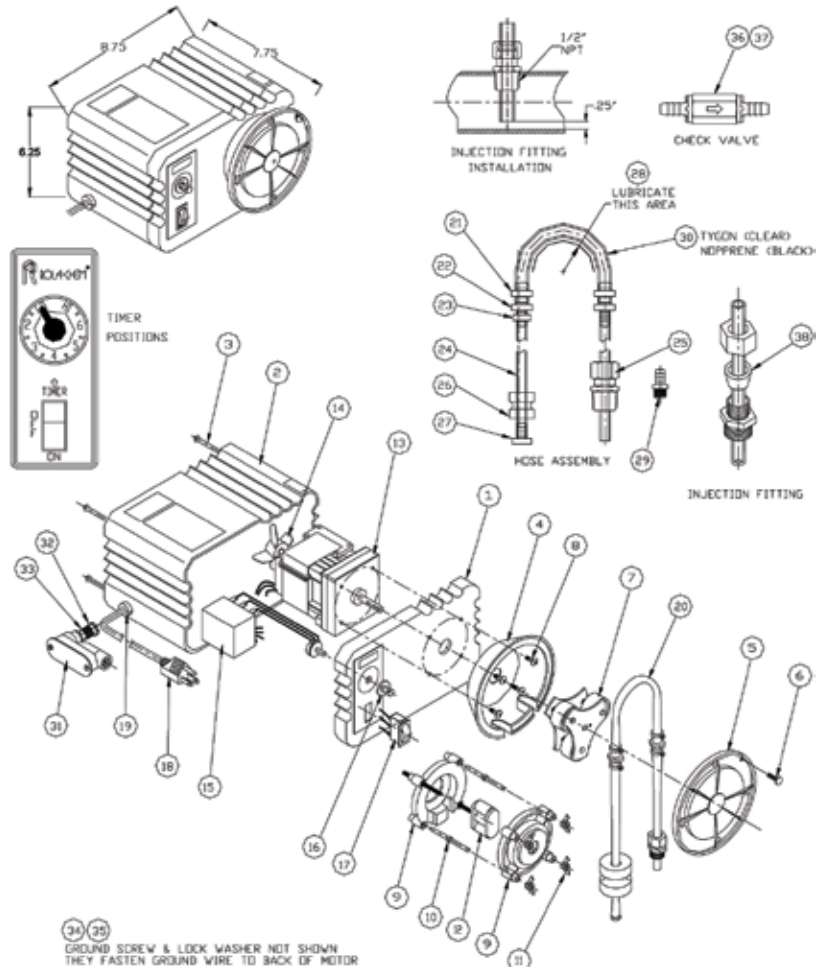


# Chemical Feeder Replacement Parts

## ROLA-CHEM PERISTALTIC PUMP

MODELS RC25/53, RC252, RC103, RC503

KEY	MFG#	DESCRIPTION
1	ROL-527255	ENCLOSURE COVER NS
2	ROL-527251	ENCLOSURE BODY NS
3	ROL-525253	SCREW 10-24 X 4-1/2
4	ROL-521752	HOUSING, BODY
5	ROL-521751	HOUSING, COVER
6	ROL-523408	KNOB, LOCK ASSY
7	ROL-523400	ROLLER, TRI NS-ASSY (3 ROLLER)
8	ROL-525233	SCREW, 10-24 X 3/4
9	ROL-521225	HOUSING, PUMP
10	ROL-525004	BRASS STUD 10-32
11	ROL-525140	WING NUT 10-32
12	ROL-523332	ROLLER, 2 INCH H-BLOCK
13	ROL-521058	GEAR MOTOR, 1R, 120V (RC252)
13	ROL-521094	GEAR MOTOR, 1R, 240V (RC252)
13	ROL-521805	GEAR MOTOR, 4R, 120V (RC25/53)
13	ROL-521806	GEAR MOTOR, 4R, 240V (RC25/53)
13	ROL-521316	GEAR MOTOR, 16R, 120V (RC103)
13	ROL-521317	GEAR MOTOR, 16R, 240V (RC103)
13	ROL-524756	GEAR MOTOR, 30R, 120V (RC503)
13	ROL-524755	GEAR MOTOR, 30R, 240V (RC503)
14	ROL-524752	FAN, 2.5"
15	ROL-524065	TIMER/POT ASSY 120V
15	ROL-524066	TIMER/POT ASSY 240V
16	ROL-521154	KNOB, TIMER
17	ROL-524711	SWITCH ASSY, 3 WAY
18	ROL-524155	POWER CORD, 18-3SJT, 120V
18	ROL-524156	POWER CORD, 18-3SJT, 240V
19	ROL-524090	STRAIN RELIEF
20	ROL-523252	HOSE ASSY-COMPLETED 8 INCH
20	ROL-523118	HOSE ASSY-COMPLETED 13.5 INCH
21	ROL-525114	CLAMP, HOSE #8
22	ROL-520111	FITTING HOSE CONNECTOR, 3/8 BARB
23	ROL-520110	CLAMP, HOSE #6
24	ROL-TUBE-FT	TUBING, VINYL .31 X .44 X 66"
25	ROL-527158	BRASS INJECTION FITTING
26	ROL-523110	WEIGHT, HOSE 7/16
27	ROL-520112	RETAINER-HOSE WEIGHT
29	ROL-520113	ADAPTER, PP1/4MNPTX3/8 BARB
30	ROL-523251	NORPRENE HOSE ASSY-8" (CLEAR)
30	ROL-523114	NORPRENE HOSE ASSY-13.5" (CLEAR)
30	ROL-523250	TYGON HOSE ASSY-8" (BLACK)
30	ROL-523115	TYGON HOSE ASSY-13.5" (BLACK)
31	ROL-524115	J-BOX
33	ROL-524110	NIPPLE, 1/2 X 1



GROUND SCREW & LOCK WASHER NOT SHOWN  
THEY FASTEN GROUND WIRE TO BACK OF MOTOR

KEY	MFG#	DESCRIPTION
32	ROL-524135	LOCK NUT, STEEL 1/2
34	ROL-525214	GROUND SCREW #8, GREEN
35	ROL-8110030	LOCK WASHER (GROUND SCREW)
36	ROL-521160	CHECK VALVE, PVC, 3/8 X 3/8 BARB
37	ROL-521170	CHECK VALVE, PVC, 3/8 BARB X 1/4 NPT
38	ROL-525113	SEAL, INJECTION FITTINGS (SPARE)
*	ROL-52011Y	HOSE SPLITTER

NOTE: ITEM #30 INCLUDES TYGON HOSE (OR NORPRENE HOSE), HOSE CLAMP (#21) AND FITTINGS (#22).  
ITEM #20 INCLUDES TYGON HOSE ASSY (ITEM #30) AND ITEMS # 23 - 27.

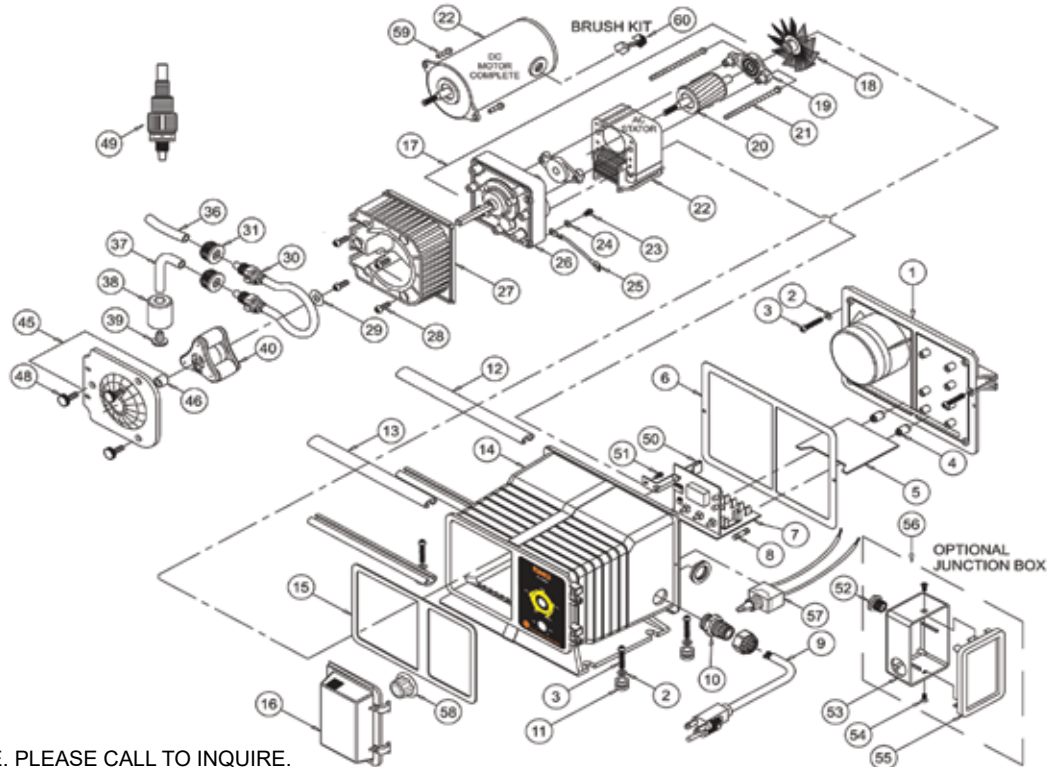
\* NOT SHOWN

See page 27 for complete feeders.



## BLUE WHITE HYPOCHLORINATORS

### A-100N SERIES - PERISTALTIC



ALL PARTS AVAILABLE. PLEASE CALL TO INQUIRE.

KEY	MFG#	DESCRIPTION
6	BLW-90006-580	GASKET, BACK PLATE, NEOPRENE
7	BLW-A023NB	PERCENT TIMER, (60 SEC), A-100NA
7	BLW-A-023N-H	PERCENT TIMER, (5 SEC), A-100NC
7	BLW-A-023N-F	PERCENT TIMER, (SPA), A-100NS
7	BLW-C-1817N-1	SPEED CONTROL, A-100NF, 115V06
7	BLW-C-1817N-4	SPEED CONTROL, A-100NF, 220V50
7	BLW-C-1817N-5	SPEED CONTROL, A-100NF, 230V60
12	BLW-76001-000	SLIDE CLAMP, ENCLOSURE REAR
13	BLW-76000-999	SLIDE CLAMP, ENCLOSURE FRONT
14	BLW-71000-187	ENCL, PERCENTAGE MODELS - P/CORD
14	BLW-71000-188	ENCL, FIXED MODEL "X" - P/CORD
15	BLW-90006-579	GASKET, ENCLOSURE FRONT
16	BLW-90002-191	DOOR, ELECTRONIC CONTROLS COVER
17	BLW-70002146	GEARMOTOR, 14 RPM, 115V60HZ
17	BLW-70002147	GEARMOTOR, 30 RPM, 115V60HZ
17	BLW-70002-156	GEARMOTOR, 45 RPM, 115V60HZ
17	BLW-70002-159	GEARMOTOR, 60RPM, 115V60HZ
18	BLW-90006-581	FAN-MOTOR, 2.25' DIAMETER
27	BLW-76001-009	PUMPHEAD, NO TFD SENSORS
27	BLW-71000-488	PUMP HEAD, W/ TFD SENSORS
28	BLW-C-324-N	SCREW, PUMP HEAD, 10-32X .50 - *NLA
29	BLW-A-031	SPACER, ROTOR

KEY	MFG#	DESCRIPTION
*	BLW-72000-550	RETRO-FIT KIT-OLD STYLE TO NEW STYLE HEAD
30	BLW-A1-4T	NEW STYLE #4 PUMP TUBE, NEOPRENE .25" OD
30	BLW-A1-6T	NEW STYLE #6 PUMP TUBE, NEOPRENE .37" OD
30	BLW-A1-7T	NEW STYLE #7 PUMP TUBE, NEOPRENE .43" OD
30	*NLA	OLD STYLE #4 PUMP TUBE, NEOPRENE .25" OD
30	*NLA	OLD STYLE #6 PUMP TUBE, NEOPRENE .37" OD
30	*NLA	OLD STYLE #7 PUMP TUBE, NEOPRENE .43" OD
31	BLW-C-330-6	NUT, TUBE, .37 O.D. TUBING
36	BLW-C-335-6	TUBING, OUTLET, .37 O.D. X 5 FT, POLY
37	BLW-C-334-6	TUBING, INLET, .37 O.D. X 5FT, PVC
38	BLW-C-346	WEIGHT, INLET TUBING, CERAMIC
39	BLW-C-342-6	STRAINER, INLET TUBE, POLYPROPYLENE
40	BLW-71000-159	ROLLER, -4, -6 TUBES (WHITE ROLLERS)
40	BLW-71000-255	ROLLER, -5 VITON TUBE
40	BLW-71000-350	ROLLER, -7 TUBES (BLACK ROLLERS)
45	BLW-71000-156	COVER, P/HEAD WITH BEARING
48	BLW-90011-160	SCREW, P/HEAD COVER, 8-32 X .62 (3 REQ.)
57	BLW-A-022	POWER SWITCH
58	BLW-A-032N	KNOB, ADJUSTMENT

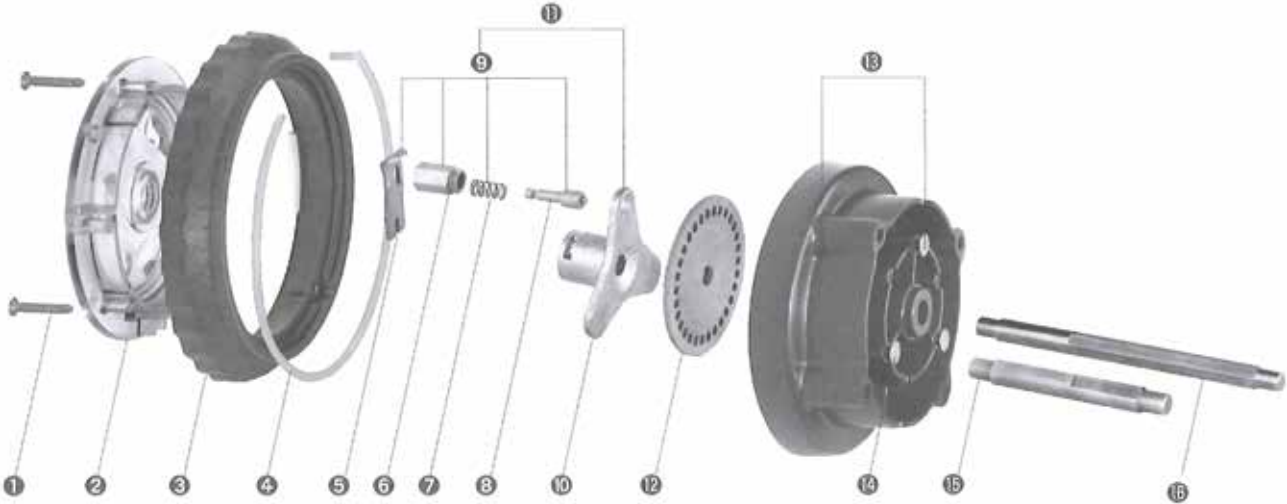
\*PLEASE NOTE TUBES STYLE HAS CHANGED. OLD STYLE TUBES WILL BE AVAILABLE WHILE SUPPLIES LAST. RETRO-FIT KIT WILL BE NEEDED IF CONVERTING TO NEW STYLE HEAD.

See page 29 for complete feeders.



# Chemical Feeder Replacement Parts

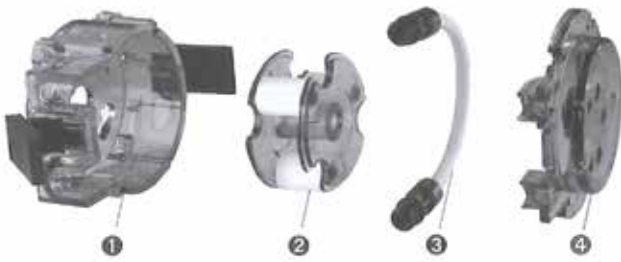
## STENNER FEED RATE CONTROL PARTS



KEY	MFG#	DESCRIPTION
1	STEN-FCS000A	FRC SCREW A
2	STEN-FC5N000	FEED RATE MOUNTING PLATE
3	STEN-FC5M040	DIAL RING
4	STEN-UCFC5H0	VARIABLE CAM
5	STEN-UCFC5L1	INDEX PIN LIFTER
6	STEN-FC5L003	INDEX PIN HOLDER
7	STEN-FC5L005	INDEX PIN SPRING
8	STEN-FC5L002	INDEX PIN
9	STEN-UCFC5AY	INDEX PIN ASSEMBLY (INCLUDES 5, 6, 7 & 8)

KEY	MFG#	DESCRIPTION
10	STEN-FC5K00D	INDEX SPIDER
11	STEN-FC5LASY	BRASS SPIDER ASSEMBLY (INCLUDES 9 & 10)
12	STEN-UCFC5ID	INDEX PLATE
13	STEN-FC5D00S	FEED RATE HOUSING WITH ROLLER CLUTCH, SEAL & RIVETS
14	STEN-FCS000C	MOUNTING RIVET C
15	STEN-UCFC5AD	MAIN SHAFT, ADJUSTABLE 45 & 85
16	STEN-DM5A00D	MAIN SHAFT, ADJUSTABLE 100 & 170

## STENNER TUBE HOUSING PARTS



### NON-QUICKPRO PUMP HEAD PARTS

KEY	MFG#	DESCRIPTION
1	STEN-QP400	QP TUBE HOUSING WITH LATCHES UNIVERSAL
2	STEN-UC3ASYD	ROLLER ASSEMBLY
3	STEN-P20*	TUBE ASSEMBLY W/E 45-*
4	STEN-UCCP100	QP TUBE HOUSING COVER WITH BUSHING



### QUICKPRO PUMP HEAD PARTS

KEY	MFG#	DESCRIPTION
1	STEN-QP400	QP TUBE HOUSING WITH LATCHES
2	STEN-QP-401	QP LATCHES, 2 PACK
3	STEN-QP500	QP ROLLER ASSEMBLY
*	STEN-QP-501	QP ROLLER ARM ASSEMBLY (INCLUDES ARMS, BUSHINGS, ROLLERS AND SCREW)
4	STEN-P20*	TUBE ASSEMBLY W/E 45-*
5	STEN-QP100	QP TUBE HOUSING COVER WITH BUSHING

\*=1, 2, 3, 4, OR 5 CORRELATES TO THE MODEL/FEED SIZE.

IDENTIFICATION NOTE: ON THE TUBE ASSEMBLIES AND TUBE HOUSINGS. NUMBER WILL BE ENGRAVED IN THE GRAY FITTING WHICH CORRELATES TO THE MODEL/FEED SIZE. FOR EXAMPLE, IF #1 IS ENGRAVED, YOU WOULD USE THE ONE FOR THE MODEL 45-1. IF THERE IS NO ENGRAVED NUMBER USE THE PARTS FOR MODEL 45-5.

See page 28 for complete feeders.

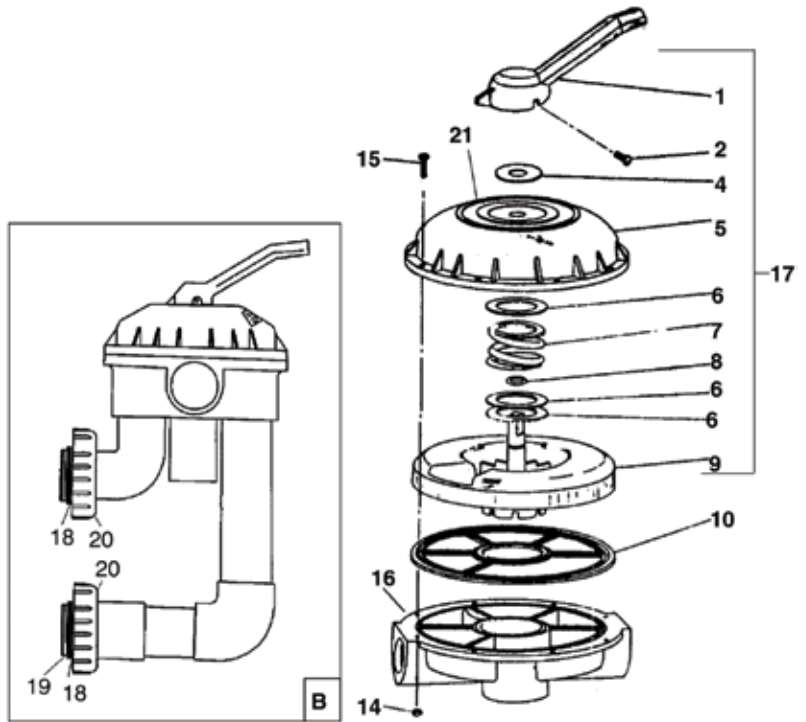
# Filter Valve Replacement Parts



## PENTAIR/PAC FAB HI-FLOW, 2"

MODELS 261049, 261050, 261142

KEY	MFG#	DESCRIPTION
B	PEN-261050	COMPLETE VALVE W/ PLUMBING SAND
B	PEN-261142	COMPLETE VALVE W/ PLUMBING DE
1	PEN-272520	HANDLE, VALVE
2	PEN-272405	SCREW , HANDLE S.S.
4	PEN-272402	WASHER, HANDLE
5	PEN-272412	TOP, VALVE
6	PEN-272401	WASHER
7	PEN-272400	SPRING
8	LET-JV18	O-RING, DIVERTER
9	PEN-272413	DIVERTER
10*	PEN-272409	SEAL, VALVE
14	AMP-98211400	NUT, 1/4"
15	PEN-272403	SCREW, VALVE COVER
16	PEN-272433	PLATE, BOTTOM 2" W/ GASKET
17	PEN-272422	VALVE, TOP ASSEMBLY
18	PEN-274494	O-RING
19	PEN-274404	BULKHEAD ADAPTER
20	PEN-274407	ADAPTER NUT
21	PEN-272101	LABEL PLATE - SAND ONLY
21	PEN-272123	LABEL PLATE - UNIVERSAL

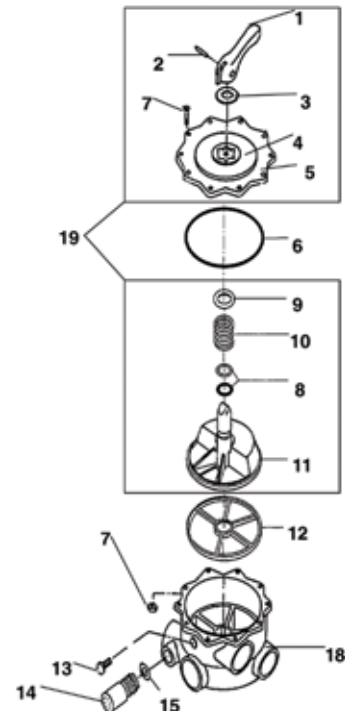


\* INSTALL SIDE WITH LARGE RIDGES DOWN.

## HAYWARD MULTIPORT VALVE - 2"

VARI-FLO VALVE MODELS SP-715

KEY	MFG#	DESCRIPTION
1	HAY-SPX0715F	HANDLE
2	HAY-SPX0710XZ7	PIN FOR HANDLE
3	HAY-SPX0710Z16	BEARING NON-METALLIC
6	HAY-SPX0715Z1	ORING, COVER
7	HAY-SPX0710Z1A	SCREW AND NUT (SET OF 6) 2 REQ.
8	HAY-SPX0735GA	O-RING WITH TEFLON SEAL
9	HAY-SPX0710Z62	SPRING WASHER (SET OF 2)
10	HAY-SPX0603S	SPRING
11	HAY-SPX0715C	KEY AND STEM ASSEMBLY
12	HAY-SPX0715D	GASKET, VALVE SEAT, 2"
13	HAY-SPX0710K	PLUG, 1/4" MPT
14	HAY-SP0710MA	SIGHT GLASS WITH GASKET
15	HAY-SPX200Z9	GASKET FOR SIGHT GLASS
18	HAY-SPX0715ALLAA	BODY, VALVE 2" - ALL PORT WITH PLUGS
19**	HAY-SPX0715BA	KEY COVER AND HANDLE ASSY 2", WHITE



\*\*19 KEY COVER AND HANDLE ASSEMBLY DOES NOT INCLUDE KEY NUMBER 6 O-RING

See page 50 for complete filter valves.



# Filter Valve Replacement Parts

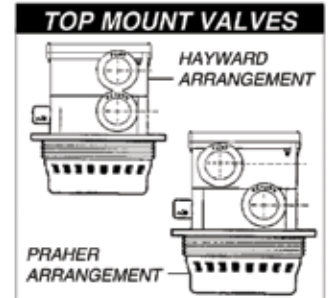
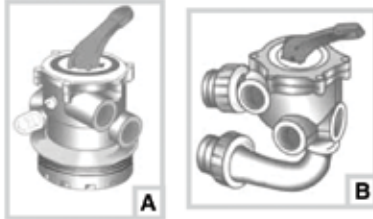
## PENTAIR /PRAHER VALVES - 1 1/2"

### PRAHER VALVES W/PENTAIR ARRANGEMENTS

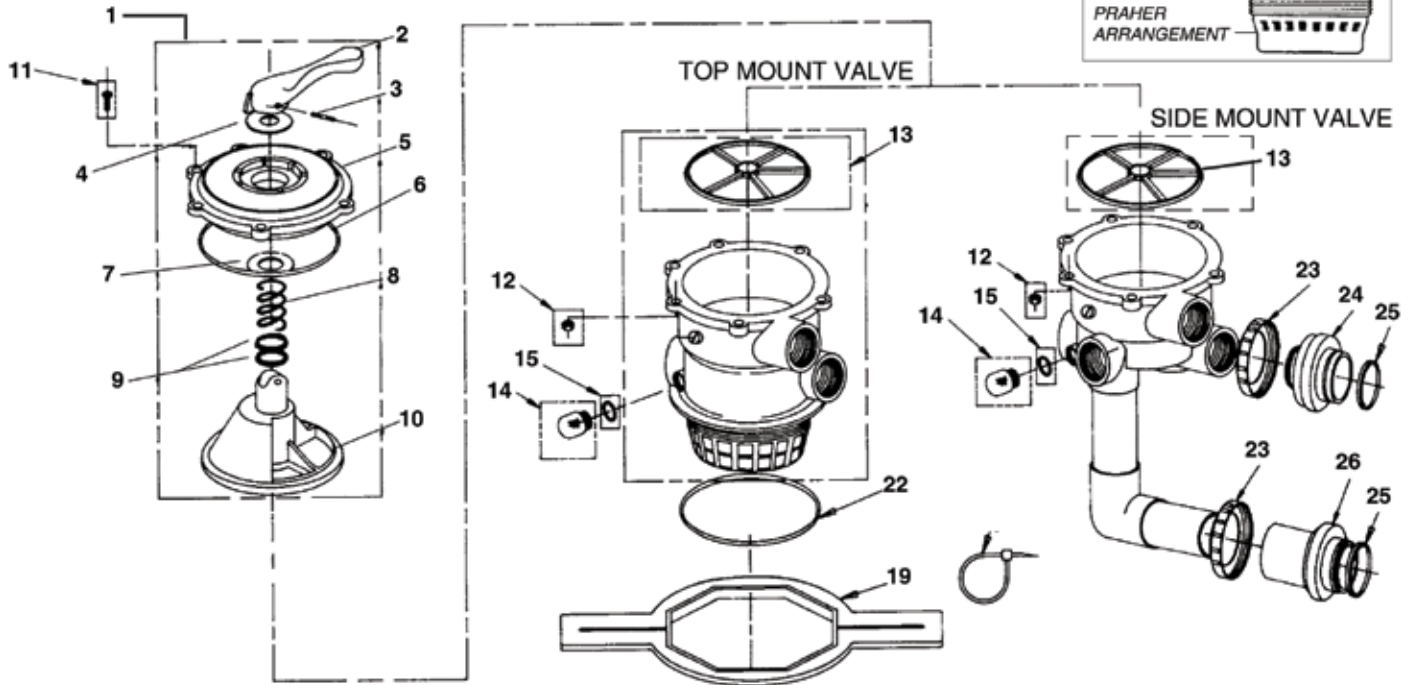
#### COVERED MODELS:

TM12A (261124, OLD PACFAB STYLE) TOPMOUNT  
 TM12PB (261130, OLD PACFAB STYLE) TOPMOUNT  
 SM 10-2 (261173 PACFAB) SIDEMOUNT SAND  
 SM-10-2 (261177 PACFAB) SIDE MOUNT DE  
 SEE COMPLETE VALVES FOR MORE INFORMATION

PRAHER VALVES ARE USED ON OTHER MFG FILTERS ALSO



### MODEL: SM-10-3



KEY	MFG#	DESCRIPTION
1	PEN-270068	TOP ASSY. VALVE 1 1/2" - WHITE OEM W/ DE & SAND LABEL
2	PEN-271156	HANDLE
3	PEN-271164	PIN FOR HANDLE
4	PEN-271157	WASHER, HANDLE
5	PEN-271158	COVER
6	PEN-271103	O-RING, FOR COVER
7	PEN-271160	WASHER, VALVE SPRING
8	PEN-271161	SPRING
9	PEN-191479	O-RING, VALVE STEM
10	PEN-271163	DIFFUSER, VALVE 1 1/2"
11	PEN-152168	SCREW, COVER
12	PEN-152167	NUT

KEY	MFG#	DESCRIPTION
13	PEN-271104	GASKET, DIVERTER 1 1/2"
14	PEN-272550	SIGHT GLASS
15	PEN-271106	GASKET, SIGHT GLASS
19	PEN-154512	LID WRENCH PLASTIC
22	PEN-272541	O-RING
23	PEN-274407	NUT, BULKHEAD ADAPTER
24	PEN-274651	ADAPTER, VALVE 1 1/2" THREADED
25	PEN-274494	O-RING
26	PEN-274404	ADAPTER, VALVE 1 1/2" X 2" SLIP

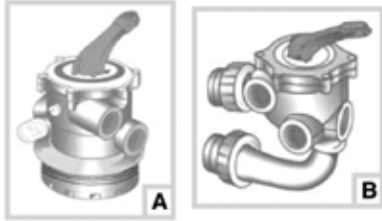
See page 50 for complete filter valves.

# Filter Valve Replacement Parts



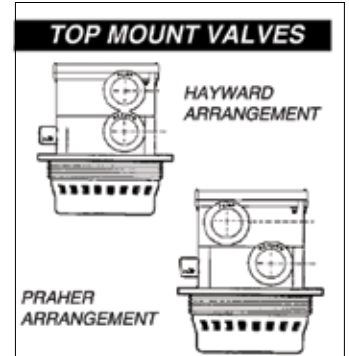
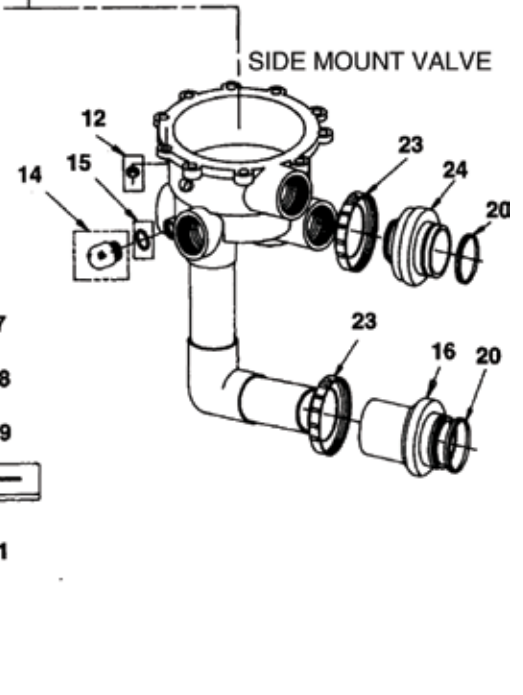
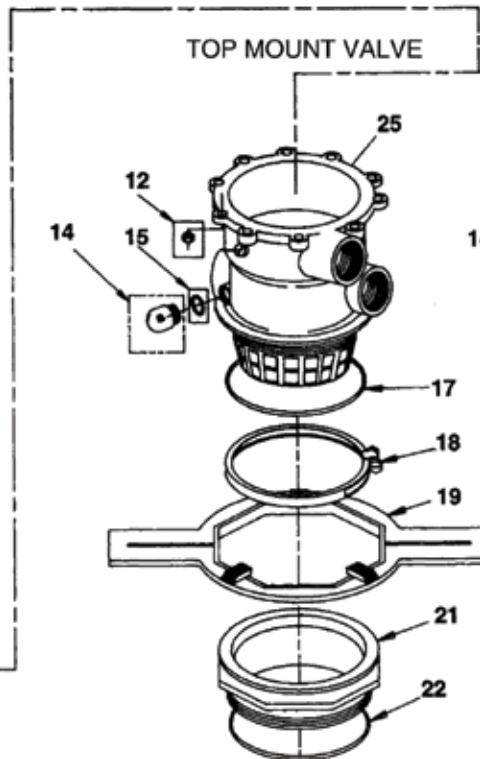
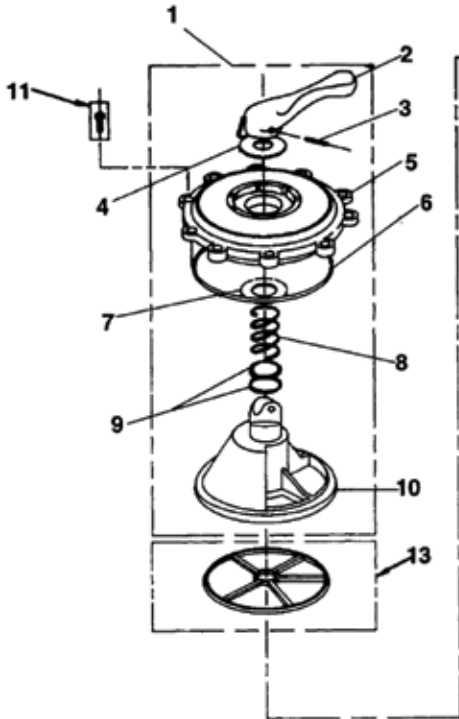
## PENTAIR/PRAHER VALVES - 2"

### PRAHER MULTIPOINT VALVE WITH PACFAB FILTER CONNECTORS



MODELS SHOWN ARE  
 TM22 (261185 PACFAB) TOPMOUNT  
 SM20 (261055 PACFAB) SIDEMOUNT SAND  
 SM20 (261152 PACFAB) SIDEMOUNT DE

**MODEL: SM-20-3**



KEY	MFG#	DESCRIPTION
1	PEN-270067	TOP ASSY 2" WHITE W/DE & SAND LABEL
2	PEN-271156	HANDLE
3	PEN-271164	PIN FOR HANDLE
4	PEN-271157	WASHER, HANDLE
5	PEN-271166	COVER, WHITE
6	PEN-271151	O-RING, COVER
7	PEN-271160	WASHER, VALVE SPRING
8	PEN-271161	SPRING
9	PEN-191479	O-RING, VALVE STEM
10	PEN-271168	DIFFUSER, VALVE
11	PEN-272403	SCREW, COVER
12	PEN-98211400	NUT- 1/4"-20 SS

KEY	MFG#	DESCRIPTION
13	PEN-271148	GASKET
14	PEN-272550	SIGHT GLASS ONLY
15	PEN-271106	GASKET, SIGHT GLASS
16	PEN-274556	ADAPTER, 1 1/2" X 2" SLIP
17	PEN-275333	O-RING, VALVE BODY
18	PEN-152130	BAND ASSY
20	PEN-274494	O-RING, ADAPTER
21	PEN-154521	ADAPTER, FLANGE BUTTRESS THD.
22	PEN-152501	O-RING, ADAPTER
23	PEN-274407	NUT, BULKHEAD ADAPTER
24	PEN-274556	ADAPTER, 2" THREADED

See page 50 for complete filter valves.



# Filter Replacement Parts

## PENTAIR TRITON II FIBERGLASS SAND FILTER

SIDE MOUNT VALVE MODELS TR-40, 50, 60, 100, 100HD, 140

KEY	MFG#	DESCRIPTION
1	PEN-154689	BLEEDER, AIR/TEE ASSEMBLY
2	PEN-154700	ADAPTER, TEE (BRASS)
3	AMG-EIPPG6024L	PRESSURE GAGE, SIDE MOUNT
3	AMG-EIPPG6024B	PRESSURE GAGE, BACK MOUNT
4	PEN-154661	O-RING, BLEEDER ADAPTER
5	PEN-154664	NUT, 3/8"
6A	PEN-154570	LID, CLOSURE 6" BUTTRESS - BLACK
6B	PEN-152519Z	LID, CLOSURE 6" V THREAD
7A	PEN-154493	O-RING
8	PEN-154578	STRAINER, AIR RELIEF 1/4", BEFORE 11/99
8	PEN-150035	STRAINER, AIR RELIEF 3/8", AFTER 11/99
9	PEN-154435	AIR TUBE TR-40, 1/4" OD
9	PEN-150039	AIR TUBE TR-40, 3/8" OD
9	PEN-154436	AIR TUBE TR-50/60, 1/4" OD
9	PEN-150040	AIR TUBE TR-50/60, 3/8" OD
9	PEN-154437	AIR TUBE TR-100, 1/4" OD
9	PEN-150041	AIR TUBE TR-100, 3/8" OD
9	PEN-154438	AIR TUBE TR-140, 1/4" OD
9	PEN-150042	AIR TUBE TR-140, 3/8" OD
10	PEN-154598	DIFFUSER ASSEMBLY (TR-40/50)
10	PEN-154599	DIFFUSER ASSEMBLY (TR-60)
10	PEN-154462	DIFFUSER ASSEMBLY (TR-100 & HD)
10	PEN-154906	DIFFUSER ASSEMBLY (TR-140)
11	PEN-154803	PIPING ASSEMBLY, UPPER (TR-40)
11	PEN-156814	PIPING ASSEMBLY, UPPER (TR-50)
11	PEN-154533	PIPING ASSEMBLY, UPPER (TR-60)
11	PEN-154426	PIPING ASSEMBLY, UPPER (TR-100 & HD)
11	PEN-154500	PIPING ASSEMBLY, UPPER (TR-140)
12	PEN-155521	1/4" CONNECTOR NLA (SEE NOTE)
12	PEN-150036	CONNECTOR, CURRENT 3/8" OD TUBING (SEE NOTE)
13	PEN-154801	PIPING ASSEMBLY, LOWER (TR-40)
13	PEN-156816	PIPING ASSEMBLY, LOWER (TR-50)
13	PEN-154805	PIPING ASSEMBLY, LOWER (TR-60) (PRIOR TO 6-07)
13	PEN-155284	CLEAR PRO/TR60 LOWER PIPING (AFTER 6-07)
13	PEN-154807	PIPING ASSEMBLY, LOWER (TR-100 & HD)
13	PEN-154489	PIPING ASSEMBLY, LOWER (TR-140)
15	PEN-152290	LATERAL, ASSEMBLY 6-11/16" (TR-40/50/60)
15	PEN-150085	LATERAL, 1/4 TURN TWIST LOCK TR-60 (AFTER 6-07)
15	PEN-152202	LATERAL, ASSEMBLY 9 1/8" (TR-100 & HD)
15	PEN-154540	LATERAL, (TR-140) 10 1/2"

KEY	MFG#	DESCRIPTION
16	PEN-154763	HUB ASSEMBLY (TR-40/50/60)
16	PEN-154453	HUB ASSEMBLY (TR-100HD/140)
17A	PEN-154698	DRAIN ASSEMBLY 3/4", LESS PLUG
17B	PEN-154685	DRAIN ASSEMBLY 1/2", LESS PLUG
17C	PEN-152220	SAND DRAIN, 2"
18	PEN-192115	O-RING (USE WITH PEN-154699)
18	PEN-154492	O-RING (USE WITH PEN-154871)
19	PEN-154699	PLUG, DRAIN, 1/4"
19	PEN-154871	THREADED CAP 1 1/2"
20	PEN-154512	WRENCH, LID PLASTIC, 6" CLOSURE
20	PEN-154510	WRENCH, LID ALUMINUM, 6" CLOSURE
21	PEN-154412	LOCKNUT, INTERNAL 2"
22	PFB0154416	SPACER, INTERNAL 2"
23	PEN-154492	O-RING, BULKHEAD 2"
24	PEN-154408	SPACER, EXTERNAL 2"
25	PEN-154538	GASKET, BULKHEAD 2"
26	PEN-154405	BULKHEAD, FITTING 2"
28A	PEN-154926	FILTER BASE (TANK FOOT) TR-40/50
28B	PEN-154596	FILTER BASE (TANK FOOT) TR-100/140
28C	PEN-154520	FILTER BASE (TANK FOOT) TR-60
33	PEN-154697	KIT, CLOSURE 6" V THREAD
33	PEN-154641	KIT, CLOSURE 6" BUTTRESS THD
33	PEN-154856	KIT, CLOSURE 8 1/2" BUTRESS THREAD
34	PEN-154687	BLEEDER, AIR FITTING PACKAGE
45	PEN-154714	BULKHEAD KIT (INCLUDES KEY 21-26)
46	PEN-151602	BULKHEAD WRENCH, METAL

NOTE: THE TRITON II AIR RELIEF TUBING CHANGED FROM 1/4" OD TO 3/8" OD 11/99. BOTH CONNECTORS PUSH ON THE PIPING TABS & TWIST LOCK INTO PLACE.

CONNECTORS PEN-155521 ARE NO LONGER AVAILABLE. MUST BE REPLACED WITH PEN-150036. MUST ALSO REPLACE PEN-150035 AND KEY 9 WHEN SWITCHING PEN-150036.

See page 46-51 for complete filters.

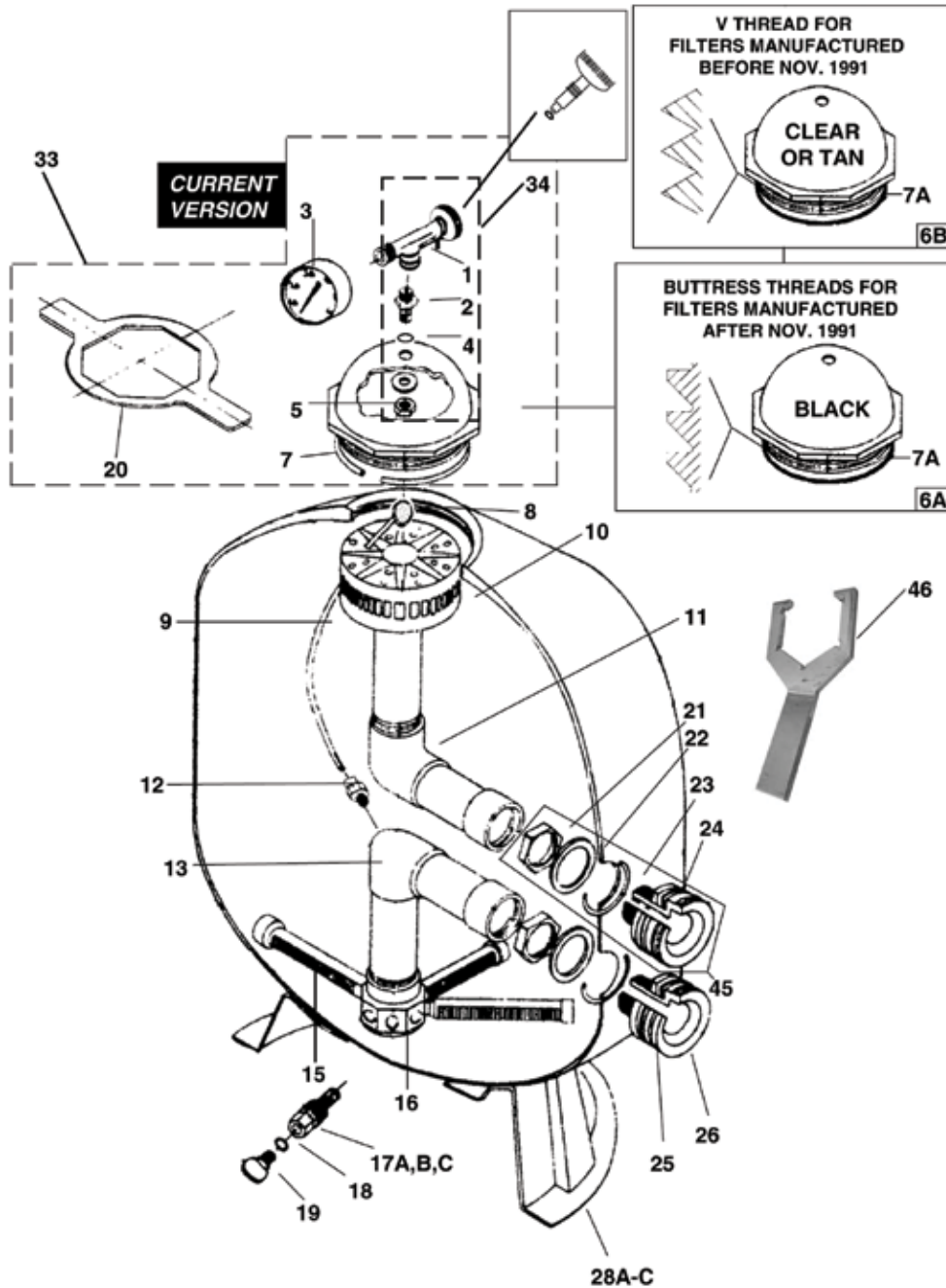




## PENTAIR TRITON II FIBERGLASS SAND FILTER

SIDE MOUNT VALVE MODELS TR-40, 50, 60, 100, 100HD, 140

SOLD AS TRITON PREVIOUSLY  
SOLD UNDER VARIOUS BRANDS INCLUDING PUREX SFSM, HELDOR PUREFLO, FOX, POOLQUIP WESTERN SERIES.



See page 46-51 for complete filters.



# Filter Replacement Parts

## PENTAIR TRITON COMMERCIAL SAND FILTER

### FIBERGLASS FILTER MODELS TR100C & TR140C

KEY	MFG#	DESCRIPTION
1	PEN-273512	AIR BLEEDER W/ O-RING
2	PEN-273513	O-RING, BLEEDER
3	PEN-273564	AIR RELIEF ASSY. - MANUAL, CLEAR
3	PEN-261003	AIR RELIEF ASSY. - MANUAL, BLACK
4	AMG-EIPPG6024B	GAUGE, PRESSURE (BACKMOUNT)
5	PEN-274494	O-RING 3/16" X 5/8", WHITE
8	PEN-154575	LID, CLOSURE 8 1/2" BUTTRESS THD
9	PEN-152509	RING, SQUARE 8 1/2"
10	PEN-154599	DIFFUSER, TR-100C (2), TR-140C (4)
11	PEN-156355	PIPING ASSY, UPPER TR100C (1), TR140C (2)
12	PEN-156344	PIPING ASSY., UPPER INLET
14	PEN-156354	PIPING CONNECTING ASSY., UPPER
15	PEN-154412	NUT, BULKHEAD
17	PEN-154453	HUB ASSEMBLY
18	PEN-154596	FOOT - 24" DIAMETER
19	PEN-152202	LATERAL, FOR TR100C, 9 " LONG
19	PEN-154540	LATERAL, FOR TR140C, 10 1/2" LONG
20	PEN-154412	LOCKNUT, INTERNAL 2"
21	PEN-154416	SPACER, INTERNAL 2"
22	PEN-154492	O-RING, BULKHEAD 2"
23	PEN-154408	SPACER, EXTERNAL 2"
24	PEN-154538	GASKET, BULKHEAD 2"
25	PEN-154405	BULKHEAD, FITTING 2"
30	PEN-152220Z	DRAIN, 2" SAND
32	PEN-154871	CAP, THREADED 1 1/2" (FTG-448015)
33	PEN-154527	WRENCH, 8 1/2" CLOSURE, Plastic OEM
33	VAP-V38007	WRENCH, 8 1/2" CLOSURE, ALUMINUM
34	PEN-154807	PIPING, LOWER ASSEMBLY (TR-100C)
34	PEN-154489	PIPING, LOWER ASSEMBLY (TR-140C)
35		1/4" CONNECTOR NLA (SEE NOTE)
35	PEN-150036	CONNECTOR, 3/8" OD TUBING
36	PEN-273071	SCREW, S.S.
37	PEN-150041	AIR RELIEF TUBE, TR100C 3/8" OD (AFTER 11-99)
37	PEN-154437	AIR RELIEF TUBE, TR100C (BEFORE 11-99)
37	PEN-150042	AIR RELIEF TUBE, TR140C 3/8" OD (AFTER 11-99)
37	PEN-154438	AIR RELIEF TUBE, TR140C (BEFORE 11-99)
38	PEN-154507	SPACER, AIR VENT STRAINER (TR100C)
38	PEN-154508	SPACER, AIR VENT STRAINER (TR140C)
39	PEN-150035	STRAINER, 3/8" OD TUBING
46	PEN-154856	KIT, CLOSURE 8 1/2" BUTTRESS
47	PEN-154714	BULKHEAD KIT

NOTE: THE TRITON II AIR RELIEF TUBING CHANGED FROM 1/4" OD TO 3/8" OD 11/99. BOTH CONNECTORS PUSH ON THE PIPING TABS & TWIST LOCK INTO PLACE.

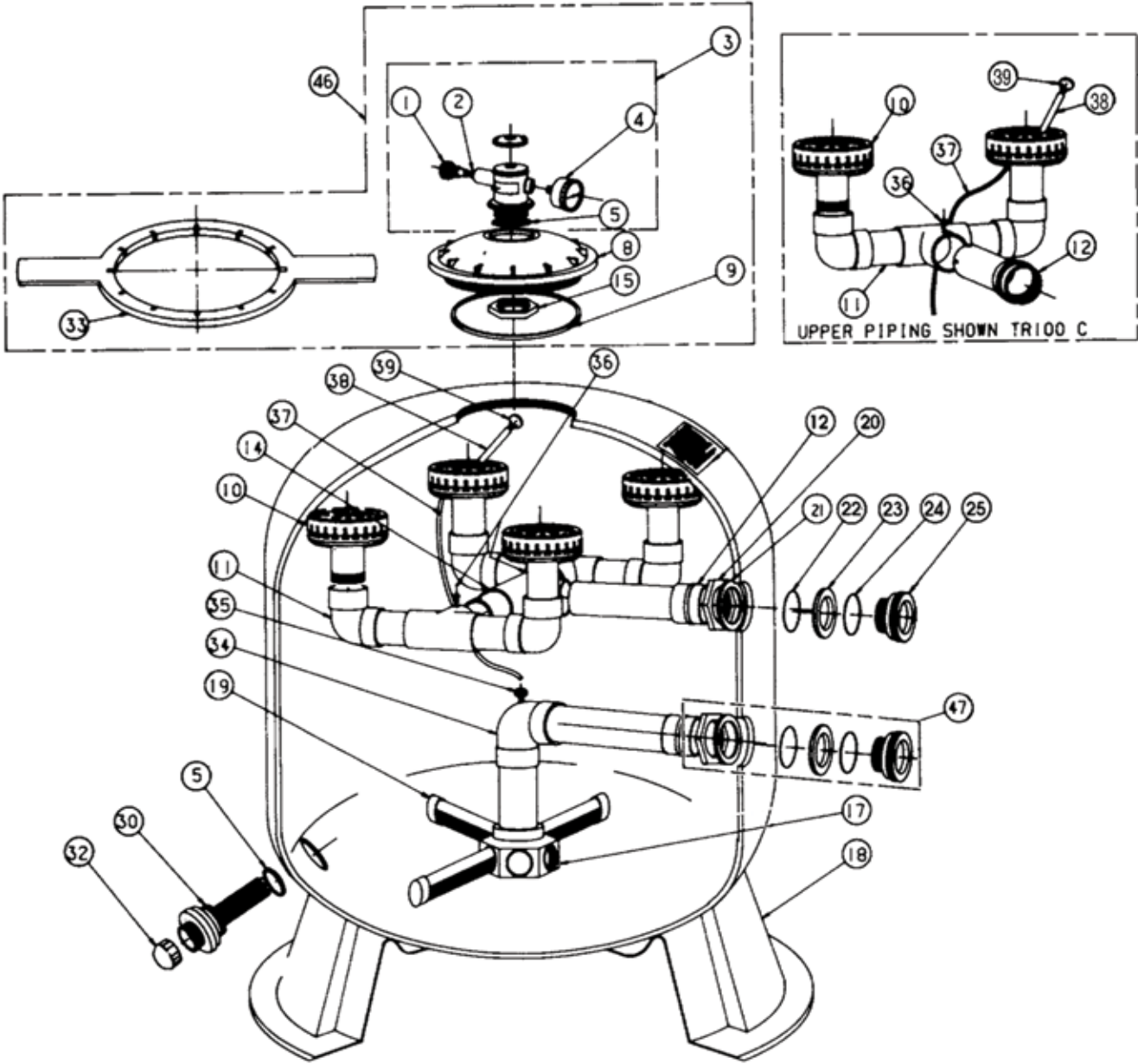
CONNECTORS PEN-154421 ARE NO LONGER AVAILABLE. MUST BE REPLACED WITH PEN-150036. MUST ALSO REPLACE PEN-150035 AND KEY 37 WHEN SWITCHING PEN-150036.

See page 46-51 for complete filters.



## PENTAIR TRITON COMMERCIAL SAND FILTER

FIBERGLASS FILTER MODELS TR100C & TR140C



See page 46-51 for complete filters.



# Pump Replacement Parts

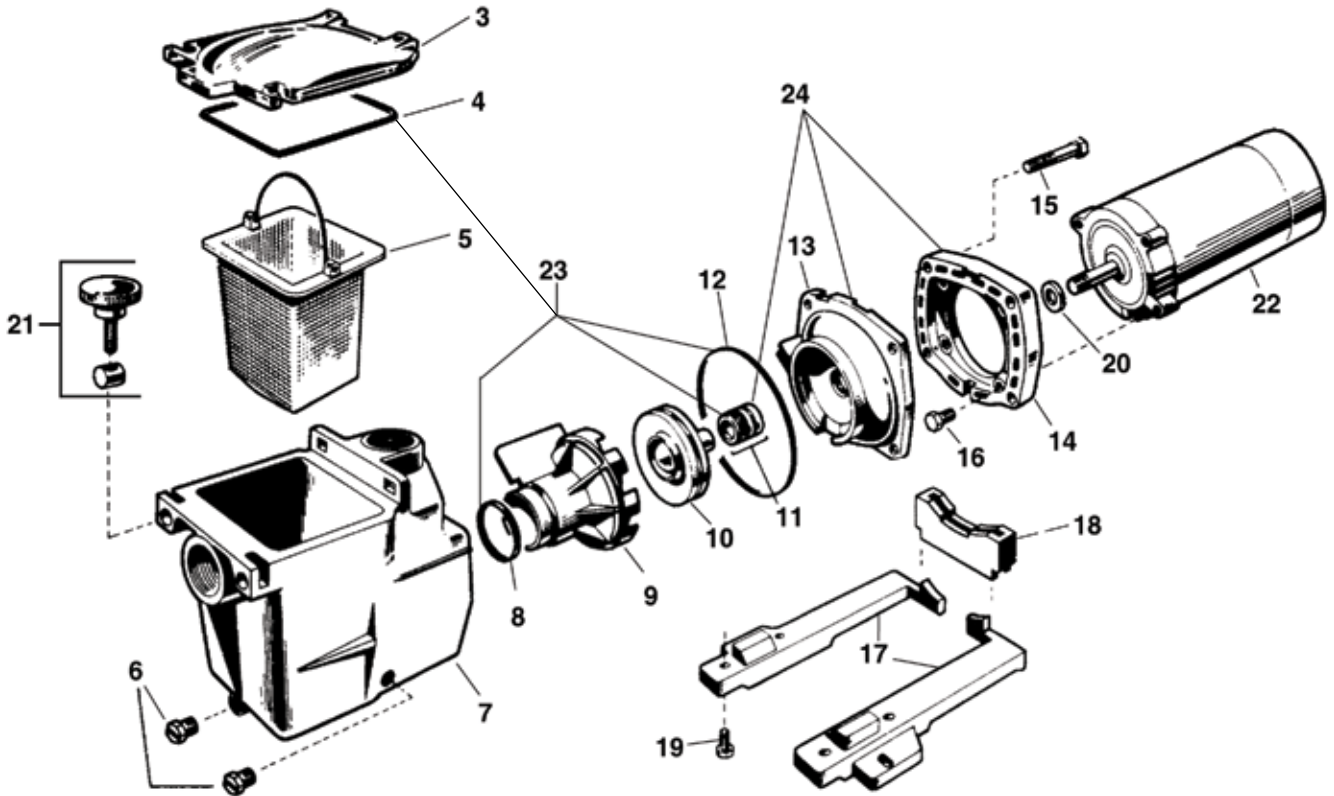
## HAYWARD SUPER PUMP

SERIES 1600, 1600X, 2600, 2600X MODELS

SP-1600 MFG. PRIOR TO JAN. 1ST 1984

SP-2600 MFG. AFTER JAN. 1ST 1984

### SEAL KIT: GO KIT # 3V PUMP SEAL: 201V



KEY	MFG#	DESCRIPTION
3	HAY-SPX1600D	COVER, STRAINER
4	HAY-SPX1600S	GASKET, STRAINER COVER
5	HAY-SPX1600M	BASKET
6	HAY-SPX1700FG	PLUG, , 1/4" MPT W/GASKET
7	HAY-SPX1600AA	HOUSING, STRAINER 1 1/2"
7	HAY-SPX1620AA	HOUSING, STRAINER 2"
8	HAY-SPX1600R	GASKET, DIFFUSER
9		DIFFUSER (SEE NEXT PAGE)
10		IMPELLER (SEE NEXT PAGE)
11	ALL-PSR201V	SEAL, SHAFT
12	HAY-SPX1600T	GASKET HOUSING
13		SEAL PLATE (SEE NEXT T PAGE)
14		NLA REPLACE WITH HAY-SPX1600SKIT1

KEY	MFG#	DESCRIPTION
15	HAY-SPX1600Z4	SCREW, HOUSING CAP
16	HAY-SPX0125Z44	SCREW, MOTOR CAP SINGLE
17	HAY-SPX2600G1	MOUNTING FOOT W/ADAPTOR & SCREWS
18		NLA REPLACE WITH HAY-SPX2600G1
19	HAY-SPX1600Z52	CAP, SCREW
20	HAY-SPX125F	SLINGER, WATER
21	HAY-SPX1600PN	HAND KNOB KIT
22	VARIOUS	MOTORS - 56J THREADED
23	ALL-GOKIT3	SEAL KIT
24	HAY-SPX1600SKIT1	KIT SEAL PLATE, MOTOR PLATE, & SHAFT SEAL
*	HAY-SPX1600TAP	REPAIR TAP SET, PUMP HOUSING

\* NOT SHOWN

See page 37-41 for complete pumps.



## HAYWARD SUPER PUMP IMPELLER/DIFFUSER

SERIES 1600, 1600X, 2600, 2600X MODELS

DIFFUSER & IMPELLERS FOR THE SP-1600 AND 1600X SERIES ARE NO LONGER AVAILABLE. THESE PARTS MAY BE REPLACED WITH A DRIVE TRAIN UPGRADE KIT, WHICH WILL UPGRADE THE PUMP TO THE SP-2600 AND 2600X SERIES. UPGRADE KITS INCLUDE: IMPELLER, DIFFUSER, SEAL PLATE, AND HOUSING GASKET.

### SP-1600, 1600X SERIES

SP-1600 MFG. PRIOR TO JAN. 1ST 1984



SP-1600 FULL RATED H.P. (MODELS)	SP-1600X UP RATED H.P. (MODELS)	HEAD	DIFFUSER	IMPELLER	SEAL PLATE	DRIVE TRAIN UPGRADE KIT
	1/2 (HAY-SPX1600X5)	MEDIUM	HAY-SPX1600B	HAY-SPX1600C	HAY-SPX1600E	HAY-SPX2600CKIT
1/2 (HAY-SPX1605)	3/4 (HAY-SPX1605X7)	MEDIUM	HAY-SPX1605B	HAY-SPX1605C	HAY-SPX1600E	HAY-SPX2605CKIT
3/4 (HAY-SPX1607)	1 (HAY-SPX1607X10)	MEDIUM	HAY-SPX1607B	HAY-SPX1607C	HAY-SPX1600E	HAY-SPX2607CKIT
3/4 (HAY-SPX1608)	1 (HAY-SPX1608X10)	HIGH	HAY-SPX1608B	HAY-SPX1608C	HAY-SPX1611E	HAY-SPX2607CKIT
1 (HAY-SPX1610)	1 1/2 (HAY-SPX1610X15)	MEDIUM	HAY-SPX1610B	HAY-SPX1610C	HAY-SPX1660E	HAY-SPX2610CKIT
1 (HAY-SPX1611)	1 1/2 (HAY-SPX1611X15)	HIGH	HAY-SPX1608B	HAY-SPX1611C	HAY-SPX1611E	HAY-SPX2610CKIT
1 1/2 (HAY-SPX1615)	2 (HAY-SPX1615X20)	MEDIUM	HAY-SPX1615B	HAY-SPX1615C	HAY-SPX1600E	HAY-SPX2615CKIT
1 1/2 (HAY-SPX1616)	2 (HAY-SPX1616X20)	HIGH	HAY-SPX1616C	HAY-SPX1616C	HAY-SPX1611E	HAY-SPX2615CKIT
2 (HAY-SPX1621)	2 1/2 (HAY-SPX1621X25)	HIGH	HAY-SPX1621C	HAY-SPX1621C	HAY-SPX1611E	HAY-SPX2615CKIT

### SP-2600, 2600X SERIES

SP-2600 MFG. AFTER JAN. 1ST 1984



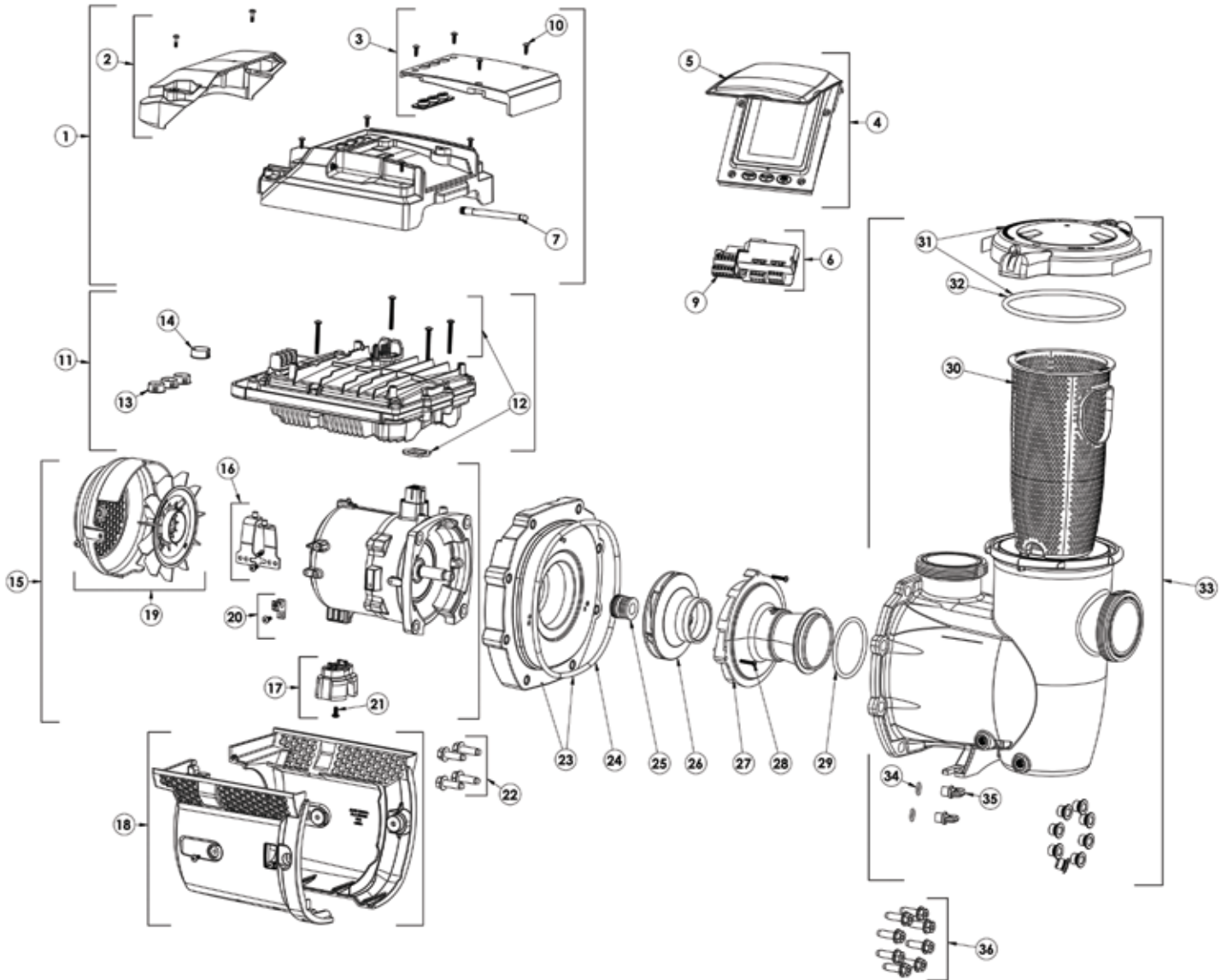
SP-2600 FULL RATED H.P. (MODELS)	SP-2600X UP RATED H.P. (MODELS)	DIFFUSER	IMPELLER	SEAL PLATE
1/3 (HAY-SP2600)	1/2 (HAY-SP2600X5)	HAY-SPX2600B	HAY-SPX2600C	HAY-SPX2600E5
1/2 (HAY-SP2605)	3/4 (HAY-SPX2605X7)	HAY-SPX2600B	HAY-SPX2605C	HAY-SPX2600E5
3/4 (HAY-SP2607)	1 (HAY-SPX2607X10)	HAY-SPX2600B	HAY-SPX2607C	HAY-SPX2600E5
1 (HAY-SP2610)	1 1/2 (HAY-SPX2610X15)	HAY-SPX2600B	HAY-SPX2610C	HAY-SPX2600E5
1 1/2 (HAY-SP2615)	2 (HAY-SPX2615X20)	HAY-SPX2600B	HAY-SPX2615C	HAY-SPX2600E5
2 (HAY-SP2621)	2 1/2 (HAY-SPX2621X25)	HAY-SPX1616B	HAY-SPX1621C	HAY-SPX1611E

See page 37-41 for complete pumps.



# Pump Replacement Parts

## INTELLIFLO3 VSF & INTELLIPRO3 VSF PUMP



PUMP PARTS LIST (1.5 HP MODELS)

PUMP PARTS LIST (1.5 HP MODELS)

KEY	MFG#	DESCRIPTION
1	PEN-356214z	Drive Cover Assembly Almond
1	PEN-356349z	Drive Cover Assembly Black
2	PEN-356096Z	Field Wiring Compartment Kit Almond
2	PEN-356337z	Field Wiring Compartment Kit Black
3	PEN-356101z	Blank Controller Kit Almond
3	PEN-356338z	Blank Controller Kit Black
4	PEN-356159z	Touchscreen Controller Kit Almond
4	PEN-356348z	Touchscreen Controller Kit Black
5	PEN-356099z	Touchscreen Lid Almond
5	PEN-356339z	Touchscreen Lid Black
6	PEN-356365z	Relay Control Board Kit

KEY	MFG#	DESCRIPTION
7	PEN-356226z	Antenna
-	PEN-8023304	4-Pin Connector, RS-485
9	PEN-8023306	6-Pin Connector, Relay Control Board
10	PEN-356215z	Controller Screw (x4)
11	PEN-356162z	Drive and Drive Hardware Kit
12	PEN-357865	Drive Hardware Kit
13	PEN-356219z	7/8" Plug, Drive
14	PEN-356320z	1" Bushing, Low Voltage, Drive
15	PEN-356164s	Motor Kit
16	PEN-356167z	Motor Bracket Kit (x2)
17	PEN-356149z	Motor Foot Kit Almond

See page 37-41 for complete pumps.



## INTELLIFLO3 VSF & INTELLIPRO3 VSF PUMP

### PUMP PARTS LIST (1.5 HP MODELS)

KEY	MFG#	DESCRIPTION
17	PEN-356341z	Motor Foot Kit Black
18	PEN-357867	Motor Shroud Kit Almond
18	PEN-357868	Motor Shroud Kit Black
19	PEN-356232z	Motor Fan Kit
20	PEN-356166z	Bonding Lug
21	PEN-356221z	Motor Foot Screw
22	PEN-074165z	Motor Bolts (x4)
23	PEN-356090z	Seal Plate Kit Almond
23	PEN-356333z	Seal Plate Kit Black
24	PEN-356148z	Seal Plate O-ring
25	PEN-356210s	Shaft Seal
26	PEN-356176z	Impeller
27	PEN-356155z	Diffuser
28	PEN-356213z	Diffuser Screws (x3)
29	PEN-356190z	Diffuser O-ring
30	PEN-074162z	Strainer Basket
31	PEN-356172z	Lid Assembly Almond
31	PEN-356368z	Lid Assembly Black
32	PEN-356189z	Lid O-ring
33	PEN-356174z	Strainer Pot Kit Almond
33	PEN-356346z	Strainer Pot Kit Black
34	PEN-192115z	Drain Plug O-ring
35	PEN-071131z	Drain Plug Almond
35	PEN-357161z	Drain Plug Black
36	PEN-074164z	Seal Plate-to-Strainer Pot Bolts (x6)
•	PEN-357871	Seal Kit
•	PEN-351157	Union Kit
•	PEN-6020018	Union O-ring
•	PEN-357833z	Riser Plate Kit - Thin (A/B Base)
•	PEN-357831z	Riser Plate Kit - Thick (C Base)
•	PEN-357832z	Riser Plate Kit - Both

### PUMP PARTS LIST (3 HP MODELS)

KEY	MFG#	DESCRIPTION
1	PEN-356214z	Drive Cover Assembly Almond
1	PEN-356349z	Drive Cover Assembly Black
2	PEN-356096z	Field Wiring Compartment Kit Almond
2	PEN-356337z	Field Wiring Compartment Kit Black
3	PEN-356101z	Blank Controller Kit Almond
3	PEN-356338z	Blank Controller Kit Black
4	PEN-356159z	Touchscreen Controller Kit Almond
4	PEN-356348z	Touchscreen Controller Kit Black
5	PEN-356099z	Touchscreen Lid Almond

### PUMP PARTS LIST (3 HP MODELS)

KEY	MFG#	DESCRIPTION
5	PEN-356339z	Touchscreen Lid Black
6	PEN-356365z	Relay Control Board Kit
7	PEN-356226z	Antenna
-	PEN-8023304	4-Pin Connector, RS-485
9	PEN-8023306	6-Pin Connector, Relay Control Board
10	PEN-356215z	Controller Screw (x4)
11	PEN-356163z	Drive and Drive Hardware Kit
12	PEN-357865	Drive Hardware Kit
13	PEN-356219z	7/8" Plug, Drive
14	PEN-356320z	1" Bushing, Low Voltage, Drive
15	PEN-356165s	Motor Kit
16	PEN-356167z	Motor Bracket Kit (x2)
17	PEN-356149z	Motor Foot Kit Almond
17	PEN-356341z	Motor Foot Kit Black
18	PEN-357869	Motor Shroud Kit Almond
18	PEN-357870	Motor Shroud Kit Black
19	PEN-357866z	Motor Fan Kit
20	PEN-356166z	Bonding Lug
21	PEN-356221z	Motor Foot Screw
22	PEN-074165z	Motor Bolts (x4)
23	PEN-356091z	Seal Plate Kit Almond
23	PEN-356345z	Seal Plate Kit Black
24	PEN-356173z	Seal Plate O-ring
25	PEN-356210s	Shaft Seal
26	PEN-356177z	Impeller
27	PEN-356156z	Diffuser
28	PEN-356213z	Diffuser Screws (x3)
29	PEN-356190z	Diffuser O-ring
30	PEN-400007z	Strainer Basket
31	PEN-356172z	Lid Assembly Almond
31	PEN-356368z	Lid Assembly Black
32	PEN-356189z	Lid O-ring
33	PEN-356175z	Strainer Pot Kit Almond
33	PEN-356347z	Strainer Pot Kit Black
34	PEN-192115z	Drain Plug O-ring
35	PEN-071131z	Drain Plug, Almond
35	PEN-357161z	Drain Plug, Black
36	PEN-074164z	Seal Plate-to-Strainer Pot Bolts (x8)
•	PEN-357872	Seal Kit
•	PEN-410028	2" / 2.5" Union Kit
•	PEN-410029	3" Union Kit
•	PEN-410016z	Union O-ring - Diamond Seal
*	PEN-357833z	Riser Plate Kit - Thin (A/B Base)

\* NOT SHOWN

See page 37-41 for complete pumps.

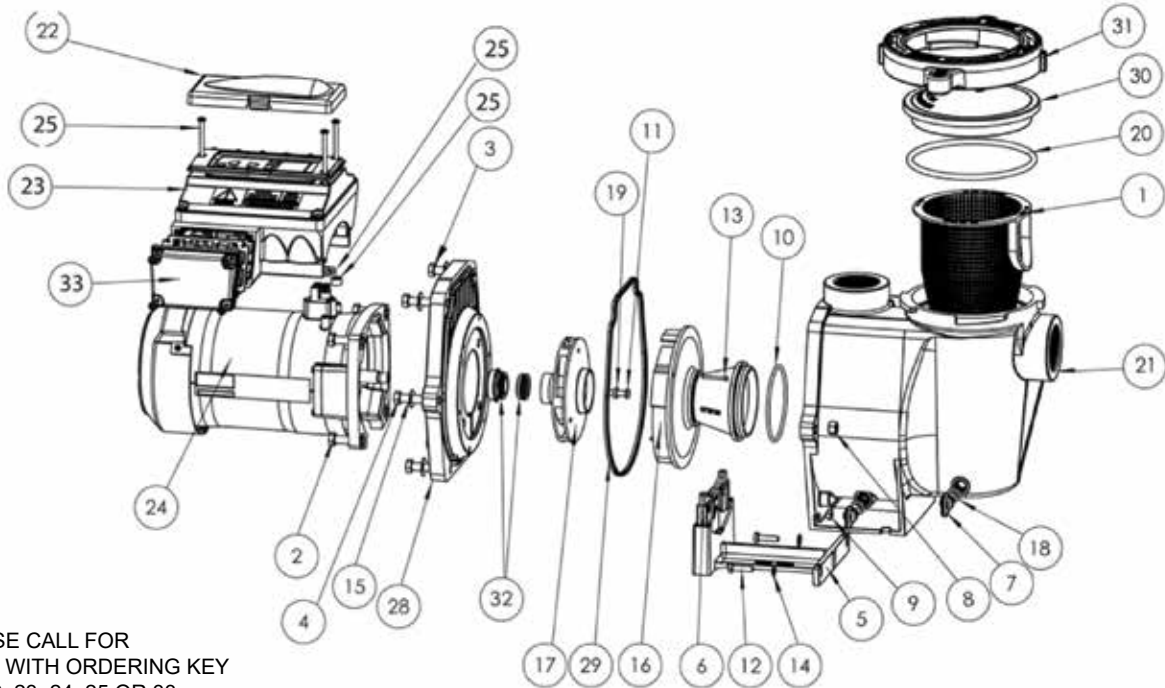


# Pump Replacement Parts

## PENTAIR INTELLIFLO PUMP

MODELS VF, VSF, 2 VST, VS & VS + SVRS

**SEAL KIT: GO KIT # 32V**  
**PUMP SEAL: 1000V**



NOTE: PLEASE CALL FOR ASSISTANCE WITH ORDERING KEY NUMBERS 22, 23, 24, 25 OR 33.

KEY	MFG#	DESCRIPTION
1	PEN-070387	BASKET AQ & WF
2	PEN-070429	BOLT, 3/8-16 X 7/8 HEX CAP, 4 REQ.
3	PEN-070430	BOLT, 3/8, 16 X 1-1/4 HEX CAP 18-8 SS, 4 REQ.
4	PEN-070431	BOLT, 3/8 - 16 X 2 HEX CAP 18-8 SS, 2 REQ.
5	PEN-070927	FOOT WF, PUMP MOTOR SUPPORT
6	PEN-070929	FOOT INSERT WF PUMP
7	PEN-071131	PLUG DRAIN WFE, ALMOND, 2 REQ.
8	PEN-071403	NUT, 3/8-16 BRASS NICKEL PLATED, 2 REQ.
9	PEN-071406	NUT, 1/4-20 HEX SS, 2 REQ.
10	PEN-355227	O-RING DIFFUSER
11	PEN-071652	SCREW, 1/4-20 X 1 LH PHILLIPS PAN MS 18-8, 2 REQ.
12	PEN-071657	SCREW, 1/4-20 X 1 IN. HEX CAP 18-8, 3 REQ.
13	PEN-071660	SCREW SET, 4-40 X 1-1/8 SOCKET CAP 18-8, SS, 2 REQ
14	PEN-072183	WASHER, FLAT 1/4-40 X 5/8 20 GA THICK 18-8, SS, 2 REQ.
15	PEN-072184	WASHER, 3/810 X 7/8 00 .05 THICK 18-8 SS, 6 REQ.
16	PEN-072928	DIFFUSER ASSY.
17	PEN-073131	IMPELLER
18	PEN-192115	O-RING DRAIN, 2 REQ

KEY	MFG#	DESCRIPTION
19	PEN-075713	RUBBER WASHER
20	PEN-350013	O-RING LID
21	PEN-350015	HOUSING WFE, ALMOND
22		CONTROL COVER ASSEMBLY (SEE NOTE)
23		DRIVE VF (SEE NOTE)
23		DRIVE VS3050 (SEE NOTE)
23		DRIVE VS + SVRS (SEE NOTE)
24		VFD MOTOR 3.2KW PMSM (SEE NOTE)
25		HARDWARE/ GASKET KIT (SEE NOTE)
28	PEN-074564	SEAL PLATE KIT WFE ALMOND
29	PEN-357102	GASKET, ALMOND BEFORE 2-1-08
29	PEN-357100	GASKET, BLACK AFTER 2-1-08
30	PEN-357151	LID COVER
31	PEN-357199	CLAMP, CAM & RAMP WF, ALMOND
32	ALL-PSR1000V	SEAL, VITON
33		COVER ASSY ALMOND (SEE NOTE)
*	PEN-357243	POT ASSY. - ALMOND (INCLUDES KEYS 1, 7 (2), 18 (2), 20, 21, 30 & 31
*	PEN-357149	VOLUTE/SEAL PLATE REPLACEMENT KIT (INCLUDES KEYS 1, 7 (2), 18 (2), 20, 21 28, 29, 30 & 31

\* NOT SHOWN

See page 37-41 for complete pumps.

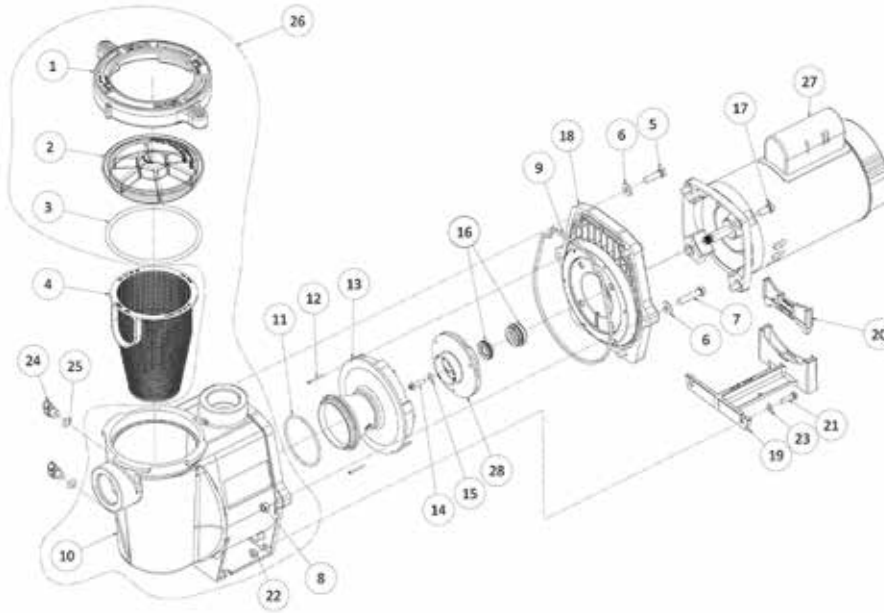




## PENTAIR/PUREX WHISPERFLO PUMP

WF AND WFE ENERGY EFFICIENT SERIES

**SEAL KIT: GO KIT # 32V**  
**PUMP SEAL: 1000V**



KEY	MFG#	DESCRIPTION
1	PEN-357199	CLAMP, CAM & RAMP, ALMOND
1	PEN-357150	CLAMP, CAM & RAMP, BLACK
2	PEN-357151	COVER, CLEAR, WFE PUMP
2	PEN-357156	COVER, CHEMICAL RESISTANT CAM & RAMP
3	PEN-350013	O-RING, WFE COVER
4	PEN-070387	STRAINER BASKET, WFE
5	PEN-070430	BOLT, 3/8 - 16 X 1.25 HEX HEAD. SS, (4 REQ.)
6	PEN-072184	WASHER, 38 X 13/16 O.D. SS (6 REQ.)
7	PEN-070431	BOLT, 3/8 - 16 1.75 HEX HEAD. SS (2 REQ.)
8	PEN-071403	NUT, 3/8, 16 HEX HEAD (2 REQ.)
9	PEN-357100	BLACK GASKET FOR SEAL PLATE
10	PEN-350015	VOLUTE, WFE PUMP & POT, ALMOND
11	PEN-355227	O-RING, WFE PUMP
12	PEN-071660	SET SCREW, 4-40 X 1-1/8 WFE (2 REQ.)
13	PEN-072928	DIFFUSER ASSEMBLY, WFE-12, 3 HP ONLY
13	PEN-072927	DIFFUSER ASSEMBLY, WFE 2-8, 1/2 HP - 2.5 HP
14	PEN-071652	SET SCREW, 1/4 - 20 X 1 IN. PHILLIPS
15	PEN-075713	RUBBER WASHER, WFE PUMP
16	ALL-PSR1000V	MOTOR SEAL
17	PEN-070429	BOLT 3/8 - 16 X 7/8 SS HEX HEAD (4 REQ.)

KEY	MFG#	DESCRIPTION
18	PEN-350202	SEAL PLATE KIT WFE ALMOND (INCLUDES MECHANICAL SEAL INSTALLED - KEY 9, 16, AND 18)
18	PEN-350101	SEAL PLATE KIT WFE BLACK (INCLUDES MECHANICAL SEAL INSTALLED - KEY 16 AND 18)
19	PEN-070927	FOOT, WFE PUMP, ALMOND
20	PEN-070929	FOOT INSERT, WFE PUMP, ALMOND
21	PEN-071657	SCREW 1/4 - 20 X 1 IN. HEX HEAD, SS (2 REQ.)
22	PEN-071406	NUT, 1/4 - 20 HEX HEAD, SS (2 REQ.)
23	PEN-072183	WASHER, 1/4 X 5/8 OD, SS (2 REQ.)
24	PEN-071131	KNOB, DRAIN PLUG, ALMOND (2 REQ.)
25	PEN-192115	O-RING, DRAIN PLUG (2 REQ.)
26	PEN-357149	VOLUTE/SEAL PLATE REPLACEMENT KIT, ALMOND (INCLUDES KEY 1-4, 9,10, 16, 18, 24, AND 25)
27	VARIOUS	MOTOR - SQUARE FLANGE
28	PEN-073126	IMPELLER (WF-2, WF-23, WFE-2, WFK-2)
28	PEN-073127	IMPELLER (WFE-3, WFE-24, WF-3, WF-24, WFK-3, WFDS-3, WFDS-24)
28	PEN-073128	IMPELLER (WFE-4, WFE-26, WF-4, WF-26, WFK-4, WFDS-4, WFDS-26)
28	PEN-073129	IMPELLER (WF-6, WF-28, WFE-6, WFE-28, WFK-6, WFDS-6, WFDS-28)
28	PEN-073130	IMPELLER (WF-8, WF-30, WFE-8, WFE-30, WFK-8, WFDS-8, WFDS-30)
28	PEN-073131	IMPELLER (WFE-12, WF-12, WFK-12)

See page 37-41 for complete pumps.

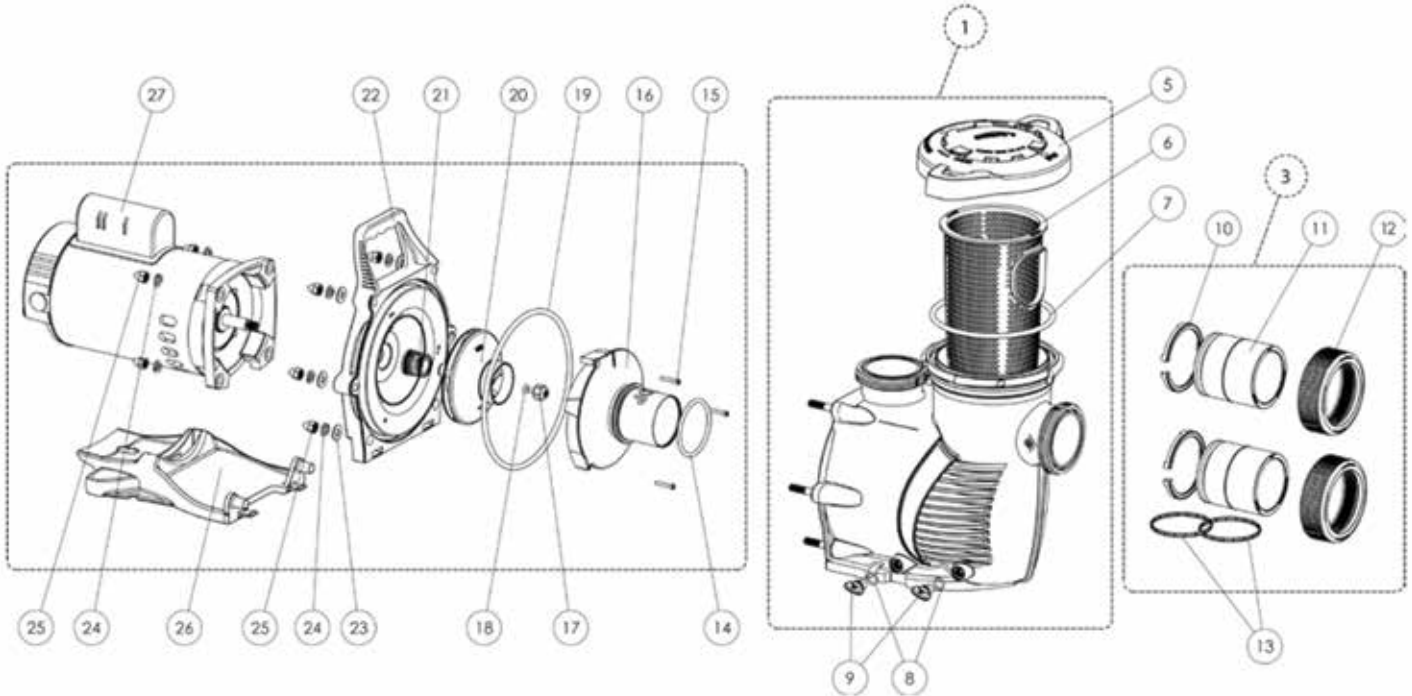


# Pump Replacement Parts

## WHISPERFLO XF PUMP

MODEL XF

### SEAL KIT: GO KIT WFXF



KEY	MFG#	DESCRIPTION
1	PEN-400000	WET END ASSEMBLY
3	PEN-410020	UNION KIT WITHOUT TAP
5	PEN-400006	LID/LOCKING RING ASSEMBLY
6	PEN-400007Z	XF SERIES REPLACEMENT BASKET
7	PEN-35505-1440	LID/LOCKING RING O-RING
8	PEN-1921115	DRAIN PLUG O-RING
9	PEN-071131	DRAIN PLUG
10	PEN-410001	2.5 INCH C-CLIP LOCKING RING
11	PEN-410002	2.5 INCH UNION ADAPTER WITHOUT TAP
12	PEN-411000	2.5 INCH UNION NUT
13	PEN-410016Z	2.5 INCH SEAL KIT
14	PEN-350336	DIFFUSER O-RING
15	PEN-353323	DIFFUSER SCREW
16		DIFFUSER (SEE NEXT PAGE)
17	PEN-37337-6080	IMPELLER REVERSE SCREW
18	PEN-33455-1047	IMPELLER REVERSE SCREW O-RING

KEY	MFG#	DESCRIPTION
19	PEN-351446	SEAL PLATE O-RING
20		IMPELLER ASSEMBLY (SEE NEXT PAGE)
21	PEN-17351-0101S	MECHANICAL SEAL ASSEMBLY
22	PEN-400002	SEAL PLATE
23	PEN-072184	FLAT WASHER
24	PEN-U43-21SS	SPLIT LOCK WASHER
25	PEN-071413	ACORN NUT
26	PEN-400004Z	MOTOR BASE
27		MOTOR (SEE NEXT PAGE)
*	PEN-400030Z	HARDWARE AND O-RING KIT
*	PEN-400031Z	SEAL PLATE KIT WITH MECHANICAL SEAL
*	PEN-400012	RISER PLATE XF TO CHALLENGER
*	PEN-400013Z	MOTOR END CAP AND SCREW

\* NOT SHOWN

See page 37-41 for complete pumps.



## WHISPERFLO XF PUMP

MODEL XF



MODEL	IMPELLER	DIFFUSER
XFET-8	PEN-400020Z	PEN-400010
XFET-12	PEN-400015	PEN-400010
XFET-20	PEN-400023Z	PEN-400011Z
XF-8	PEN-400020Z	PEN-400010
XF-12	PEN-400015	PEN-400010
XFE-8	PEN-400020Z	PEN-400010
XFE-12	PEN-400015	PEN-400010
XFE-20	PEN-400023Z	PEN-400011Z
XFDS-8	PEN-400020Z	PEN-400010
XFDS-12	PEN-400015	PEN-400010
XFDS-30	PEN-400020Z	PEN-400010
XF-30	PEN-400020Z	PEN-400010
XFE-30	PEN-400020Z	PEN-400010
XFJ-8	PEN-400020Z	PEN-400010
XFJ-12	PEN-400015	PEN-400010
XFJ-20	PEN-400023Z	PEN-400011Z
XFK-8	PEN-400020Z	PEN-400010
XFK-12	PEN-400015	PEN-400010
XFK-20	PEN-400023Z	PEN-400011Z

MOTOR DESCRIPTION	MOTOR
2 HP 1 PHASE TEFC 208-230V	PEN-354815S
3 HP 1 PHASE TEFC 208-230V	PEN-354817S
5 HP 1 PHASE TEFC 208-230V	PEN-354819S
2 HP STANDARD E 230V	PEN-355026S
3 HP STANDARD E 230V	PEN-355033S
2 HP HIGH EFF 208-230V	PEN-355014S
3 HP HIGH EFF 208-230V	PEN-355016S
5 HP HIGH EFF 208-230V	PEN-353317S
2 HP 2 SPEED 230V	PEN-359526S
3 HP 2 SPEED 230V	PEN-353316S
2.5 HP UPRATED 2 SPEED 230V	PEN-359526S
2.5 HP UPRATED STANDARD E 230V	PEN-355026S
2.5 UPRATED HIGH E 208-230V	PEN-355014S
2 HP 3 PHASE TEFC 208-230-460V	PEN-354809S
3 HP 3 PHASE TEFC 208-230-460V	PEN-354811S
5 HP 3 PHASE TEFC 208-230-460V	PEN-354813S

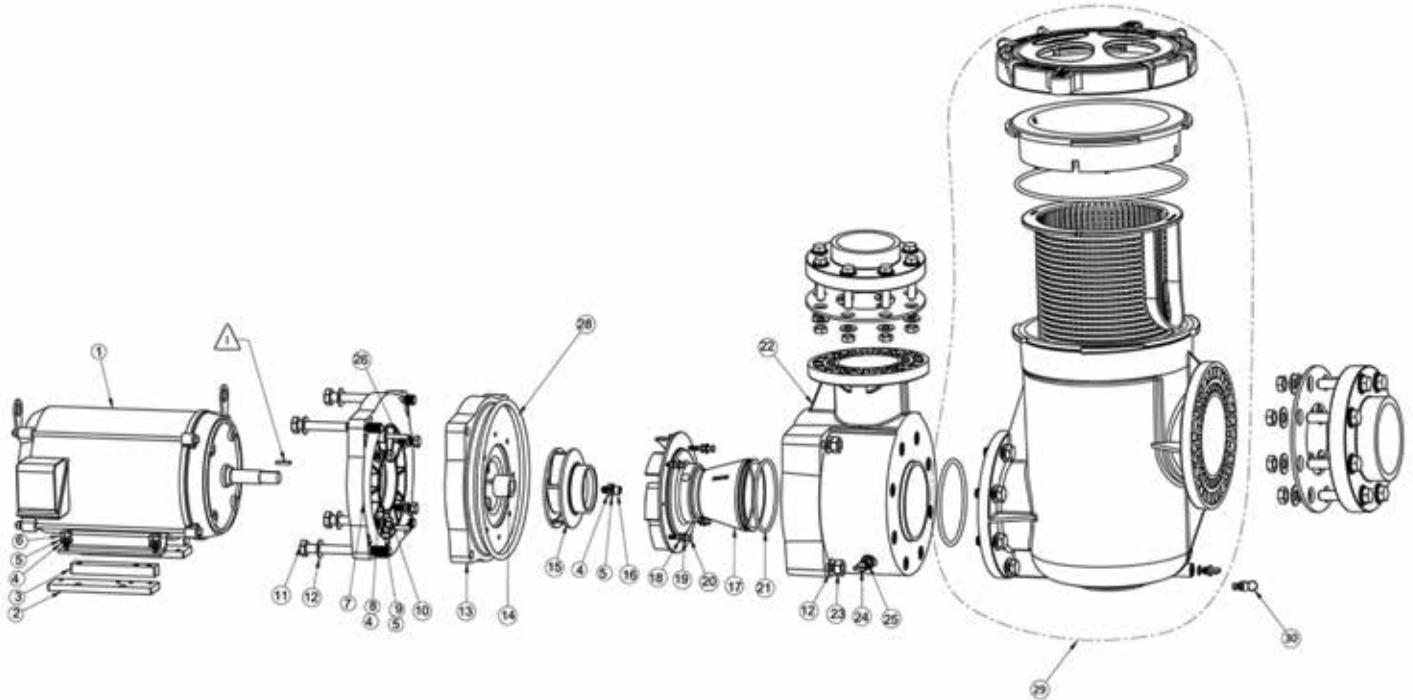
See page 37-41 for complete pumps.



# Pump Replacement Parts

## EQ SERIES COMMERCIAL PLASTIC PUMP

MODELS EQ, EQK, EQKT



KEY	MFG#	DESCRIPTION
1		MOTOR (SEE NEXT PAGE)
2		SUPPORT, MOTOR (CALL FOR ASSISTANCE)
3		SUPPORT ADAPTER (CALL FOR ASSISTANCE)
4	PEN-072184	WASHER, FLA 3/8 INCH ID X 7/8 INCH OD
5	PEN-98220600	WASHER SPLIT LOCK, 3/8 INCH
6	PEN-A135	SCREW 3/8 INCH-16 X 3/4 INCH HX HD CAP (EQ750...1 PH, EQ1000, EQ1500)
6	PEN-350073	SCREW 3/8 INCH - 1 X 1 1/2 HX HD CAP (EQ300, EQ500, EQ750...3 PH)
7	PEN-356790	ADAPTER, MOTOR, EQ SERIES
8	PEN-075842	WASHER, FLAT 1/2 INCH ID X 1 1/4 INCH OD
9	PEN-350063	WASHER SPLIT LOCK 1/2 INCH
10	PEN-U30-74SS	SCREW 3/8 INCH - 16 X 1 INCH HX HD CAP (EQ300, EQ500, EQ750...3 PH)
10	PEN-071687	BLT 1/2-13 X 1.25 STL HH SS
11	PEN-356710	SCREW 5/8 INCH - 11 X 6 1/2 INCH HX HD CAP
12	PEN-356789	WASHER, FLAT 11/16 INCH ID X 1 5/16 INCH OD
13	PEN-356795	SEAL PLAT EQ SERIES
14	PEN-071725S	SEAL SET
15		IMPELLER (SEE NEXT PAGE)
16	PEN-071037	SCREW 3/8 INCH - 16 X 1 INCH SCKT HD CAP
17		DIFFUSER (SEE NEXT PAGE)
18	PEN-51008500	WASHER, FLAT 1/4 INCH
19	PEN-072172	WASHER SPLIT LOCK 1/4 INCH
20	PEN-350035	SCREW 1/4 INCH - 20 X 1 1/2INCH HX HD CAP (EQ500, EQ750, EQ1000)

KEY	MFG#	DESCRIPTION
20	PEN-356797	SCREW 1/4 INCH - 20 X 1 3/4 INCH HX HD CAP (EQW300, EQ1500)
21	PEN-350037	O-RING DIFFUSER
22	PEN-356755	HOUSING EQ SERIES
23	PEN-356776	NUT 5/8 INCH HX BRASS
24	PEN-357161	DRAIN PLUG
25	PEN-192115	O-RING, DRAIN PLUG
26	PEN-350060	PIN DOWEL 5/16 INCH X 1 3/4 INCH
28	PEN-356780	O-RING, SEAL PLATE 3/8 INCH X 11 INCH
29	PEN-340013	STRAINER POT ASSEMBLY COMPLETE EQ 6 INCH X 6 INCH
30	PEN-350087	PRESSURE RELIEF VALVE

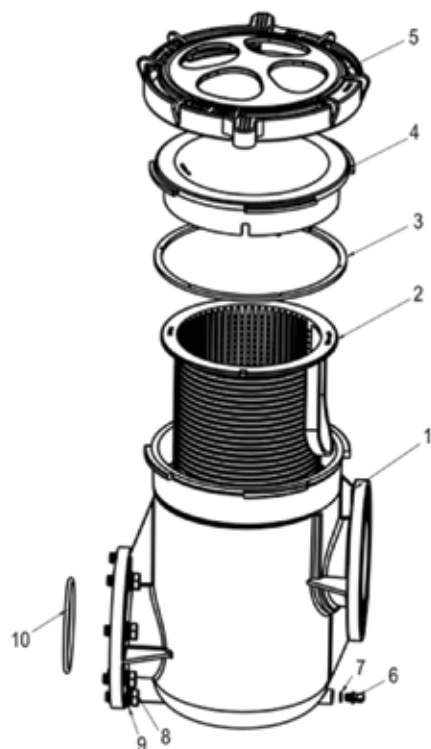
See page 37-41 for complete pumps.



## EQ SERIES COMMERCIAL PLASTIC PUMP

### MOTOR, IMPELLER AND DIFFUSER SELECTION CHART

MODEL	HP	PHASE	MOTOR	DIFFUSER	IMPELLER
EQ500	5	1	PEN-357065S	PEN-350032	PEN-350030
EQK500	5	3	PEN-357068S	PEN-350032	PEN-350030
EQKT500	5	3	PEN-350731Z	PEN-350032	PEN-350030
EQ750	7 1/2	1	PEN-357066S	PEN-350033	PEN-350029
EQK750	7 1/2	3	PEN-357069S	PEN-350033	PEN-350029
EQKT750	7 1/2	3	PEN-350732Z	PEN-350033	PEN-350029
EQ1000	10	1	PEN-357063S	PEN-350033	PEN-350028
EQK1000	10	3	PEN-357070S	PEN-350033	PEN-350028
EQKT1000	10	3	PEN-350733Z	PEN-350033	PEN-350028
EQK1500	15	3	PEN-357071S	PEN-356735	PEN-350027
EQKT1500	15	3	PEN-350734Z	PEN-356735	PEN-350027
EQK1000 EXPL PF, 50 HZ	10	3	PEN-350112S	PEN-356735	PEN-350027
EQK750 EXPL PF, 50 HZ	7 1/2	3	PEN-350113S	PEN-350033	PEN-350028
EQK1000, 50 HZ	10	3	PEN-350153S	PEN-356735	PEN-350027
EQK750, 50 HZ	7 1/2	3	PEN-350154S	PEN-350033	PEN-350028
EQK500, 50 HZ	5	3	PEN-350155S	PEN-350033	PEN-350029
EQK300, 50 HZ	3	3	PEN-350156S	PEN-350032	PEN-350030
EQW300	3	1	PEN-357064S	PEN-356735	PEN-350027
EQWK300	3	3	PEN-357067S	PEN-356735	PEN-350027
EQWK500	5	3	PEN-350158S	PEN-357273	PEN-350070
EQW500	5	1	PEN-350159S	PEN-357273	PEN-350070
EQK500 575V	5	3	PEN-355038S	PEN-350032	PEN-350030
EQK750 575V	7 1/2	3	PEN-355039S	PEN-350033	PEN-350029



EQ SERIES HAIR & LINT STRAINER

Part No.	Description
1	PEN-356725 POT EQ STRAINER
2	PEN-357184 BASKET EQ STRAINER
3	PEN-350166 GASKET, EQ LID
4	PEN-356750 LID EQ CLEAR
5	PEN-350171 CLAMP CAM & RAMP EQ (NO LID)
6	PEN-357161 DRAIN PLUG
7	PEN-192115 O-RING, DRAIN PLUG
8	PEN-356788 SCREW 5/8 INCH 11 X 1 3/4 INCH HX HD CAP
9	PEN-356789 WASHER, FLAT 11/16 INCH ID X 1 5/16 INCH OD
10	PEN-350013 O-RING POT FLANGE
*	PEN-350087 PRESSURE RELIEF VALVE, 1/4 INCH NPT

\* NOT SHOWN

See page 37-41 for complete pumps.

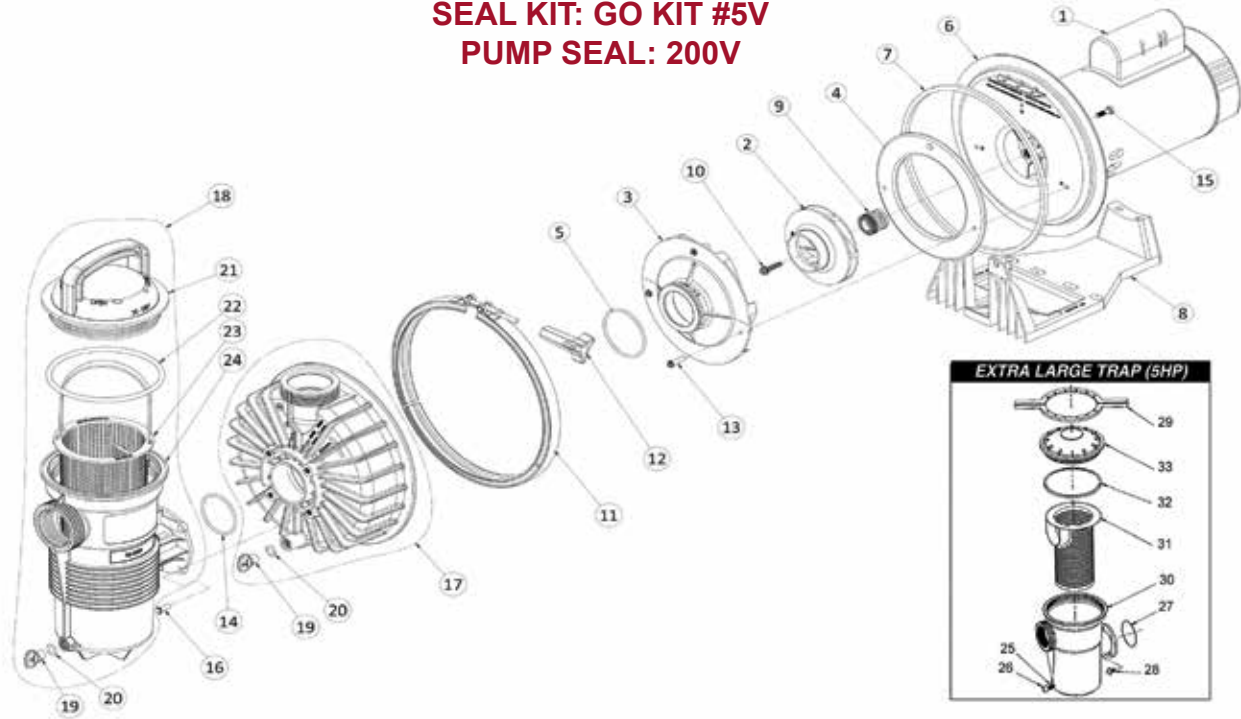


# Pump Replacement Parts

## PENTAIR CHALLENGER

HI HEAD AND MEDIUM HEAD (HIGH FLOW)

**SEAL KIT: GO KIT #5V**  
**PUMP SEAL: 200V**



KEY	MFG#	DESCRIPTION
1	PEN-354814S	MOTOR, 5 HP, 3 PHASE, 230/460V, OEM ONLY
1	PEN-353319S	MOTOR, 5 HP, 1 PHASE, 230V, OEM ONLY
1	VARIOUS	SEE MOTORS - SQUARE FLANGE
2		IMPELLER (SEE NEXT TWO PAGES)
3		DIFFUSER (SEE NEXT TWO PAGES)
4		MOUNTING PLATE (SEE NEXT TWO PAGES)
5	PEN-355331	DIFFUSER O-RING
6	PEN-355004	SEAL PLATE
7	PEN-355329	FRONT HOUSING, SQUARE RING
8	PEN-355305	BASE
9	ALL-PSR200V	SEAL (PEN-354545S)
10	PEN-355389	IMPELLER SCREW
11	PEN-355320	BAND CLAMP ASSEMBLY WITH KNOB (11 & 12)
12	PEN-175025	BAND CLAMP KNOB
13	PEN-355334	DIFFUSER SCREW (3 REQ.)
14	PEN-355330	O-RING, STRAINER POT FLANGE
15	PEN-U30-74SS	MOTOR BOLT (4 REQ.)
16	PEN-354265	STRAINER POT BOLT (4 REQ.)
17	PEN-355302	HOUSING

KEY	MFG#	DESCRIPTION
18	PEN-359507	POT ASSEMBLY
18	PEN-357391	POT ASSEMBLY, 3 HP
19	PEN-357161	DRAIN PLUG (2 REQ.)
20	PEN-192115	DRAIN PLUG O-RING (2 REQ.)
21	PEN-355301	LID
22	PEN-350013	LID O-RING
23	PEN-355318	STRAINER BASKET
23	PEN-355441	STRAINER BASKET, 3 HP
24	PEN-355300	STRAINER POT
EXTRA LARGE TRAP (5HP) PARTS		
25	PEN-192115	O-RING
26	PEN-357161	DRAIN PLUG
27	PEN-355330	O-RING, STRAINER
28	PEN-354265	SCREW, HEX HEAD
29	PEN-154527	WRENCH, 8 1/2" CLOSURE
30	PEN-355900	STRAINER POT, 5HP
31	PEN-355901	STRAINER BASKET - S.S., 5 HP
32	PEN-152509	GASKET, SQUARE RING
33	PEN-355902	STRAINER LID, 5 HP

See page 37-41 for complete pumps.



## PENTAIR CHALLENGER HI FLOW (MED HEAD)

### MEDIUM HEAD (HIGH FLOW) IMPELLER/DIFFUSER SELECTION CHART



PAC FAB MODEL #	PAC FAB PUMP #	HP	RATING	DIFFUSER ITEM #	IMPELLER ITEM #	MOUNTING PLATE ITEM #
CFII-N1-1/2F	PEN-342732 PEN-342232 PEN-344732	1/2	FULL	PEN-355029	PEN-355043	PEN-355028
CFII-N1-3/4F CFII-N1-3/4FE*	PEN-342733 PEN-342233 PEN-344733 PEN-344743* PEN-342243*	3/4	FULL	PEN-355029	PEN-355067	PEN-355028
CFII-N1-3/4A	PEN-343732 PEN-343232 PEN-347732	3/4	UP	PEN-355029	PEN-355043	PEN-355028
CFII-N1-1F CFII-N1-1FE*	PEN-342734 PEN-342234 PEN-344734 PEN-344735* PEN-342235*	1	FULL	PEN-355077	PEN-355074	PEN-355078
CFII-N1-1A CFII-N1-1AE*	PEN-343733 PEN-343233 PEN-347733 PEN-347735** PEN-343235*	1	UP	PEN-355029	PEN-355067	PEN-355028
CFII-N1-1 1/2F CFII-N1- 1 1/2FE*	PEN-342736 PEN-342236* PEN-344731 PEN-344736* PEN-342231	1 1/2	FULL	PEN-355077	PEN-355086	PEN-355078
CFII-N1-1 1/2A CFII-N1-1 1/2AE*	PEN-343734 PEN-343234 PEN-347734 PEN-347737*	1 1/2	UP	PEN-355077	PEN-355074	PEN-355078
CFII-N1-2F CFII-N1-2FE*	PEN-343237* PEN-342738 PEN-342238*	2	FULL	PEN-355094	PEN-355093	PEN-355095
CFII-N1-2A CFII-N1-2AE*	PEN-343738 PEN-343238* PEN-347740 PEN-347738* PEN-343240	2	UP	PEN-355077	PEN-355086	PEN-355078
CFII-N1-2 1/2AE*	PEN-343739* PEN-343235*	2 1/2	UP	PEN-355094	PEN-355093	PEN-355095
CFII-N1-5FE	PEN-345210	5	FULL	PEN-355069	PEN-355068	PEN-355495

\* ENERGY EFFICIENT

\*\* 2 SPEED

See page 37-41 for complete pumps.



# Pump Replacement Parts

## PENTAIR CHALLENGER HIGH PRESSURE (HIGH HEAD)

### HIGH HEAD IMPELLER/DIFFUSER SELECTION CHART



PAC FAB MODEL #	PAC FAB PUMP #	HP	RATING	DIFFUSER ITEM #	IMPELLER ITEM #	MOUNTING PLATE ITEM #
CHII-N1-1/2F	PEN-345702 PEN-345202 PEN-345562	1/2	FULL	PEN-355148	PEN-355147	PEN-355384
CHII-N1-3/4F CHII-N1-3/4FE	PEN-345703 PEN-345203 PEN-345713 PEN-345223 PEN-345723 PEN-345563 PEN-345573 PEN-345213	3/4	FULL	PEN-355188	PEN-355187	PEN-355317
CHII-N1-3/4A	PEN-346703 PEN-346203 PEN-346563	3/4	UP	PEN-355148	PEN-355147	PEN-355384
CHII-N1-1F CHII-N1-1FE	PEN-345704 PEN-345204 PEN-345705 PEN-345205 PEN-345724 PEN-345224 PEN-345564 PEN-345565	1	FULL	PEN-355188	PEN-355369	PEN-355317
CHII-N1-1A CHII-N1-1AE	PEN-346704 PEN-346204 PEN-346705 PEN-346724 PEN-346224 PEN-346564 PEN-346565 PEN-346205	1	UP	PEN-355188	PEN-355187	PEN-355317
CHII-N1-1/2F CHII-N1-1 1/2FE	PEN-345706 PEN-345206 PEN-345726 PEN-345226 PEN-345566 PEN-345201	1 1/2	FULL	PEN-355270	PEN-355315	PEN-355317
CHII-N1-1 1/2A CHII-N1-1 1/2AE	PEN-346706 PEN-346206 PEN-346707 PEN-346207 PEN-346726 PEN-346226 PEN-346566 PEN-346567	1 1/2	UP	PEN-355188	PEN-355369	PEN-355317
CHII-1N-2FE	PEN-345708 PEN-345208 PEN-345728 PEN-345228	2	FULL	PEN-355545*	PEN-355604*	PEN-355317
CHII-N1-2A CHII-N1-2AE	PEN-346708 PEN-346208 PEN-346728 PEN-346228 PEN-346568 PEN-346201	2	UP	PEN-355270	PEN-355315	PEN-355317
CHI-N1-1 1/2AE	PEN-346709 PEN-346209 PEN-346729 PEN-346229	2 1/2	UP	PEN-355545*	PEN-355604*	PEN-355317
CHII-N1-3FE	PEN-345709 PEN-345799 PEN-345209 PEN-345299	3	FULL	PEN-355545	PEN-355544	PEN-355317

\* FOR UPGRADES BOTH THE IMPELLER AND DIFFUSER MUST BE REPLACED.

See page 37-41 for complete pumps.





## PENTAIR INTELLIBRITE LIGHT

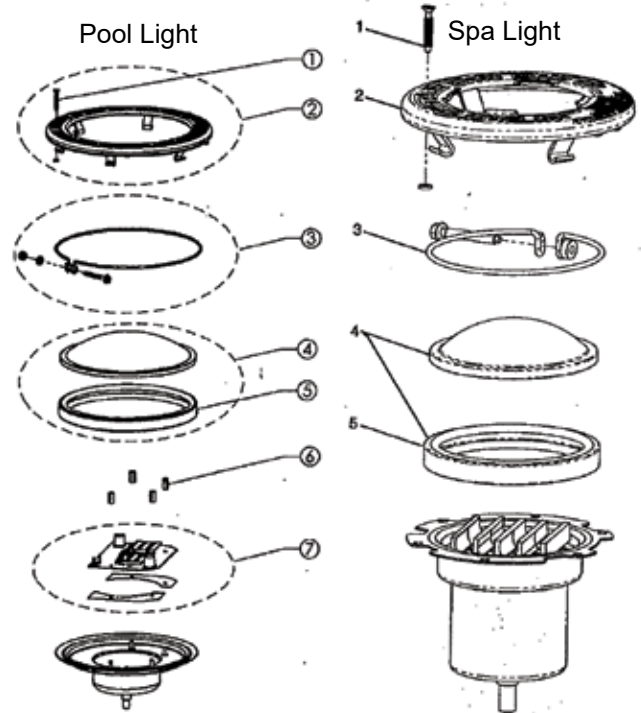
2ND GENERATION WHITE LED LIGHT AFTER 2010

### Pool Light

KEY	MFG#	DESCRIPTION
1	PEN-619355	PILOT SCREW W/GUM WASHER, BRASS
1	PEN-79104800	PILOT SCREW W/GUM WASHER, STAINLESS STEEL
2	PEN-79110600	FACE RING ASSY, S.S.
3	PEN-79111000	UNITENSION WIRE CLAMP ASSY.
4	PEN-619864Z	LENS AND GASKET ASSY.
5	PEN-620400Z	GASKET, LENS
6	PEN-620141	NUT, RETAINING
7	PEN-619875Z	INTELLIBRITE 5G WHITE LED 300W REPLACEMENT ENGINE
7	PEN-619916Z	INTELLIBRITE 5G WHITE LED 400W REPLACEMENT ENGINE
7	PEN-619917Z	INTELLIBRITE 5G WHITE LED 500W ENGINE

### Spa Light

KEY	MFG#	DESCRIPTION
1	PEN-79104800	PILOT SCREW W/ CAPTIVE GUM WASHER
1	PEN-619355	PILOT SCREW W/GUM WASHER, BRASS
2	PEN-79111600	FACE RING ASSY, S.S.
3	PEN-79210400	UNITENSION WIRE CLAMP ASSY
4	PEN-640046	LENS KIT (INCLUDES KEYS 4 & 5)
5	PEN-79108600	GASKET 4 IN DIAMETER LENS, WHITE



## PENTAIR INTELLIBRITE LIGHT

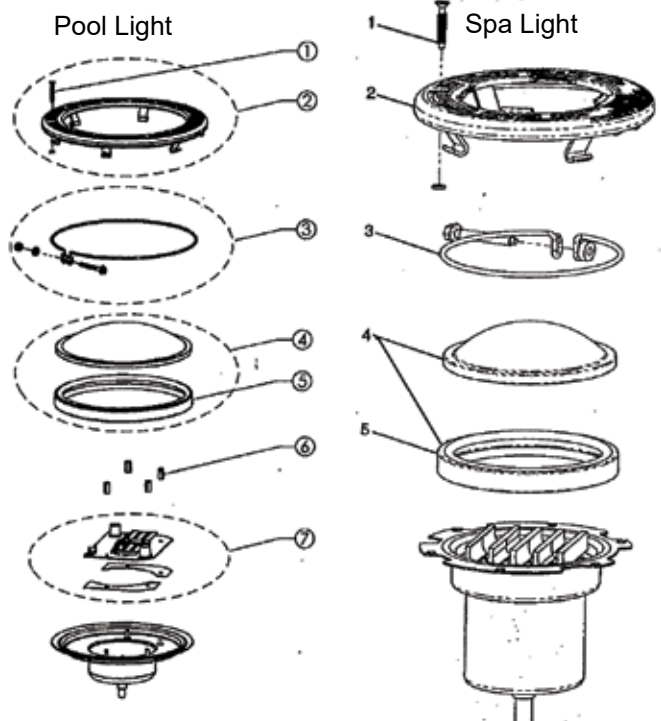
2ND GENERATION 5G COLOR LED LIGHT AFTER 2009

### Pool Light

KEY	MFG#	DESCRIPTION
1	PEN-619355	PILOT SCREW W/GUM WASHER, BRASS
1	PEN-79104800	PILOT SCREW W/GUM WASHER, STAINLESS STEEL
2	PEN-79110600	FACE RING ASSY, S.S.
3	PEN-79111000	UNITENSION WIRE CLAMP ASSY.
4	PEN-619864Z	LENS AND GASKET ASSY.
5	PEN-620400Z	GASKET, LENS
6	PEN-620141	NUT, RETAINING
7	PEN-619818Z	REPLACEMENT ENGINE ASSY

### Spa Light

KEY	MFG#	DESCRIPTION
1	PEN-79104800	PILOT SCREW W/ CAPTIVE GUM WASHER
1	PEN-619355	PILOT SCREW W/GUM WASHER, BRASS
2	PEN-79111600	FACE RING ASSY, S.S.
3	PEN-79210400	UNITENSION WIRE CLAMP ASSY
4	PEN-640046	LENS KIT (INCLUDES KEYS 4 & 5)
5	PEN-79108600	GASKET 4 IN DIAMETER LENS, WHITE



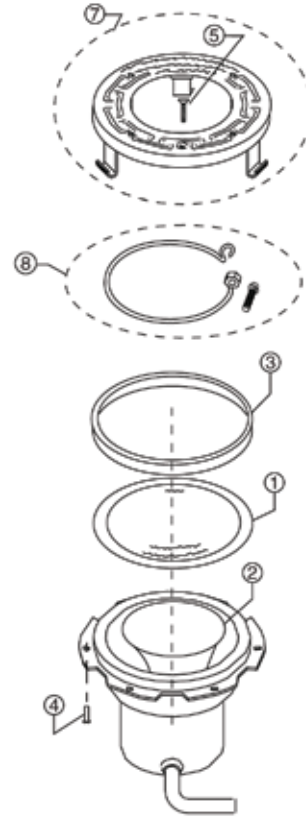
See page 124-125 for complete lights.



# Light Replacement Parts

## PENTAIR SPA-BRITE SPA LIGHT

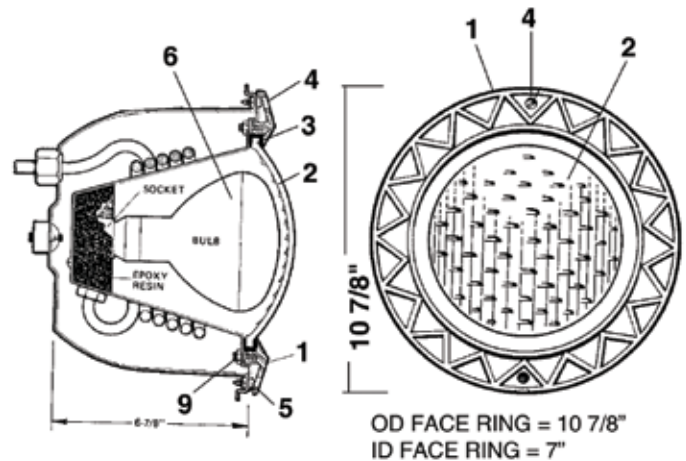
KEY	MFG#	DESCRIPTION
1	PEN-79107800	LENS, CLEAR, 4" DIAMETER TEMPERED (12V SPABRITE, 120V/12V AQUALIGHT)
2	HAL-HP16NFL60/120	*NLA* BULB, 60W, 120V (Avail. while supplies last)
2	HAL-LPL-M2-CW-12	PureWhite-PRO LED Spa Lamp, 12V, 15W, 100W Equiv
2	HAL-LPL-M2-CW-120	PureWhite-PRO LED Spa Lamp, 120V, 13W, 100W Equiv
2	HAL-LPL-S3-RGBW-12	ColorSplash LXG-W LED Spa Lamp, 12V, 6W
2	HAL-LPL-S3-RGBW-120	ColorSplash LXG-W LED Spa Lamp, 120V, 6W
3	PEN-79108500	GASKET, 4" DIAMETER LENS (12V SPABRITE)
4	PEN-98208600	SCREW, SS 10-24 X 3/8" (6 REQUIRED FOR CHROME-BRASS)
5	PEN-79104800	PILOT SCREW W/CAPTIVE GUM WASHER, BRASS
7	PEN-79111600	FACE RING ASSY, S.S.
8	PEN-79210400	UNITENSION WIRE ASSY, S.S. WITH WELDED NUT



## HAYWARD STARLITE AND DURALITE

STARLITE-SP-540, 541, 542, 543 AND DURALITE-SP-570, 571, 572, 573

KEY	MFG#	DESCRIPTION
1	HAY-SPX0540A	RIM, CYCOLAC FACE W/ STUDS (STARLITE)
1	HAY-SPX0570A	FACE RIM W/ FLANGE - SMOOTH (DURALITE)
2	HAY-SPX054Z1	LENS, CLEAR, 7 9/16" DIAMETER (STARLITE)
*	HAY-SPX0560B	CLAMP W/SCREW, NUT & WASHER (DURALITE)
3	HAY-SPX0540Z2	GASKET, LENS
4	HAY-SPX0540Z16A	LOCKSCREW, FACE RIM W/NUT
5	HAY-SPX555Z2	SCREW, LOWER MOUNTING
6	HAL-LPL-PRHO-CW-120	PureWhite-PRO LED Pool Lamp, 120V, 37W, 500W Equivalent
6	HAL-LPL-PR2-CW-120	PureWhite-PRO LED Pool Lamp, 120V, 28W, 300W Equivalent
6	HAL-LPL-PR2-CW-12	PureWhite-PRO LED Pool Lamp, 12V, 32W, 300W Equivalent
6	HAL-R40FL500/HG	Bulb, Incandescent 500W, 120V, Med. Base, R40
9	HAY-SPX0540Z4A	NUT, W/WASHER FOR STUDS
*	HAY-SPX0560EA	SCREW W/NUT AND WASHER, -F/CLAMP (DURALITE)









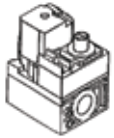
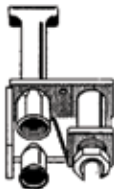




See page 124-125 for complete lights.



## RAYPAK HEATERS

### GUIDE TO THE MOST COMMON PARTS

	SERIES	RP2100	105A	VERSA 185-405	VERSA 155A-155B	055A, 055B
	FRONT HEADER	RAY-003759F (CI)	RAY-004933F (CI)	RAY-003759F (CI)	RAY-004963F (155B)	PART OF HEAT EXCHANGER ASSY.
		OBSOLETE - NLA	OBSOLETE - NLA	RAY-003760F (BR)	RAY-002435F (155A)	
	RETURN HEADER	RAY-002450F (CI)	RAY-004934F (CI)	RAY-002450F (CI)	RAY-004964F (155B)	PART OF HEAT EXCHANGER ASSY.
		RAY-002451F (BR)	RAY-004902F (BR)	RAY-002451F (BR)	RAY-0022437F (155A)	
	HEADER GASKET	RAY-800014B	RAY-800014B	RAY-800014B	RAY-800086B (155B)	RAY-800013B
					RAY-800075B (155A)	
	FLANGE	RAY-003766F	RAY-004056F	RAY-003766F	RAY-003766F (155B)	RAY-002432F
					RAY-002432F (155A)	
	FLANGE GASKET	RAY-062236B (1 1/2")	RAY-800013B	RAY-062236B (1 1/2")	RAY-062236B (155B)	RAY-800013B
		RAY-800080B (2")		RAY-800080B (2")	RAY-800013B (155A)	
	THERMOSTAT*	RAY-003346F	RAY-003346F	RAY-003346F	RAY-003346F	RAY-003346F
			RAY-005389F (IID)	RAY-005391F (MV)	RAY-005389F (IID)	RAY-005391F (MV)*
			RAY-005390F (IID)	RAY-005389F (IID)		
	HI LIMIT SWITCH--135°	RAY-600892B	RAY-600892B	RAY-600892B	RAY-600892B	RAY-600889B
	HI LIMIT SWITCH--140°	RAY-600893B	RAY-600893B	RAY-600893B	RAY-600893B	RAY-600890B
	PRESSURE SWITCH	RAY-062237B	RAY-062237B	RAY-062237B	RAY-062237B	RAY-062237B
	GAS VALVE MV NATURAL	RAY-003898F	RAY-003898F	RAY-003898F	RAY-003898F	RAY-003898F
	GAS VALVE MV PROPANE	RAY-003899F	RAY-003899F	RAY-003899F	RAY-003899F	RAY-003899F
	GAS VALVE ELECTRONIC NATURAL	RAY-003900F	RAY-003900F	RAY-003900F	RAY-003900F	RAY-003900F
	GAS VALVE ELECTRONIC PROPANE	RAY-004306F	RAY-004306F	RAY-004306F	RAY-004306F	RAY-004306F
	PILOT GEN. ASSY. MV NATURAL	RAY-600525B	RAY-600525B	RAY-600525B	RAY-600525B	RAY-600525B
	PILOT GEN. ASSY. MV PROPANE	RAY-600557B	RAY-600575B	RAY-600575B	RAY-600575B	RAY-600272B
	PILOT GEN. ASSY. ELECTRONIC NATURAL	RAY-002003F	RAY-002003F	RAY-002003F	RAY-002003F	RAY-002003F
	PILOT GEN. ASSY. ELECTRONIC PROPANE	RAY-002003F IS A NATURAL AND A PROPANE PILOT GEN. ASSY. IT COMES WITH THE NATURAL ORFICE INSTALLED ,BUT INCLUDES A PROPANE ORFICE TO CONVERT TO PROPANE USE.				
	PILOT GENERATOR	RAY-600019B	RAY-600019B	RAY-600019B	RAY-600019B	RAY-600019B
	MAIN BURNER	RAY-301210	RAY-301210	RAY-301210	RAY-301210	RAY-301210 (055B)
						RAY-305952F (055A)

\* RAY-600827B IS THE STANDARD MECHANICAL THERMOSTAT FOR MV HEATERS.

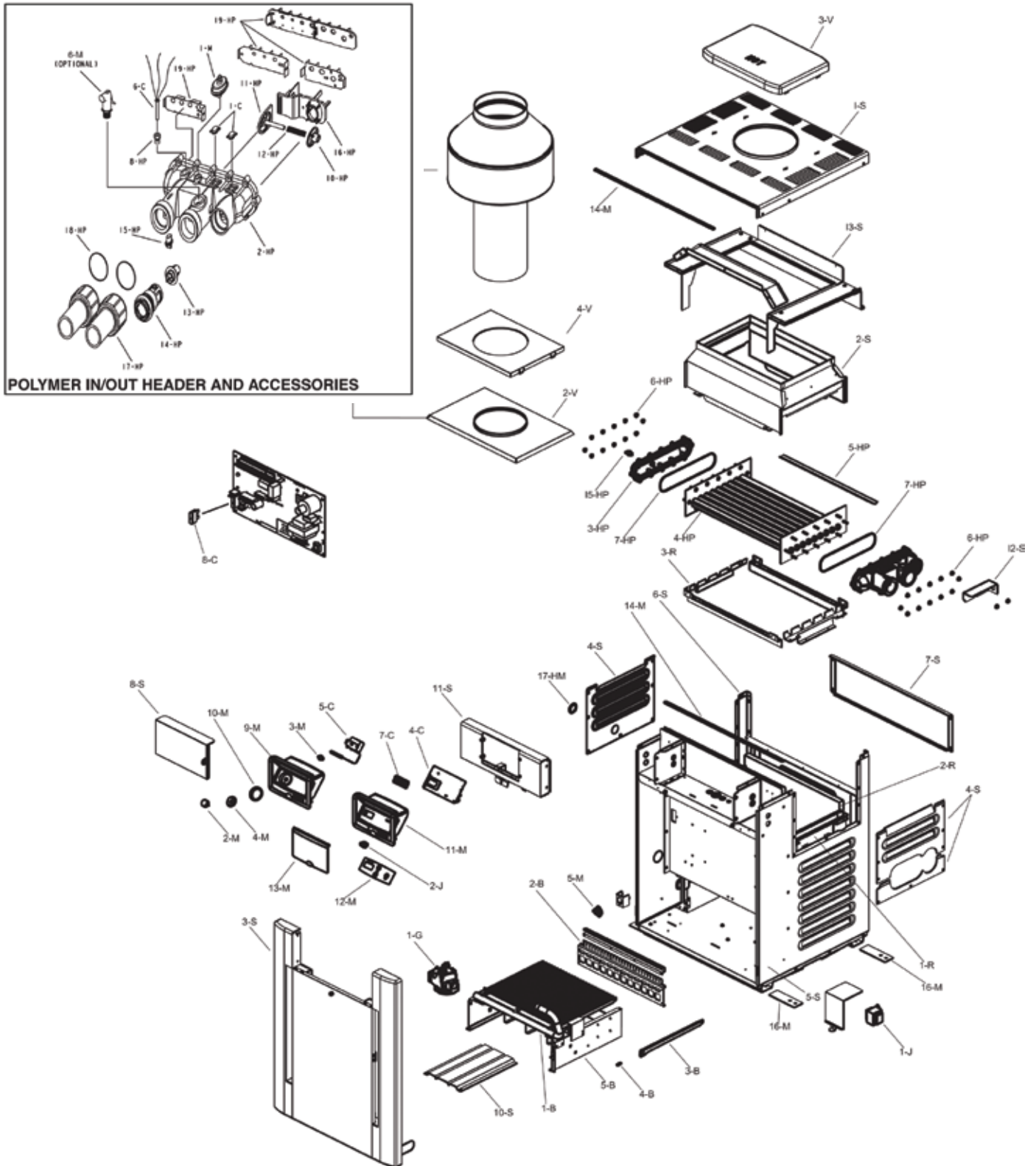
\* RAY-005389F IS THE SOLID STATE THERMOSTAT FOR MV HEATERS.



# Heater Replacement Parts

**RAYPAK RP2100 - CURRENT SINCE NOV 98**

MILLIVOLT (MV) & DIGITAL/ELECTRONIC (IID) MODELS

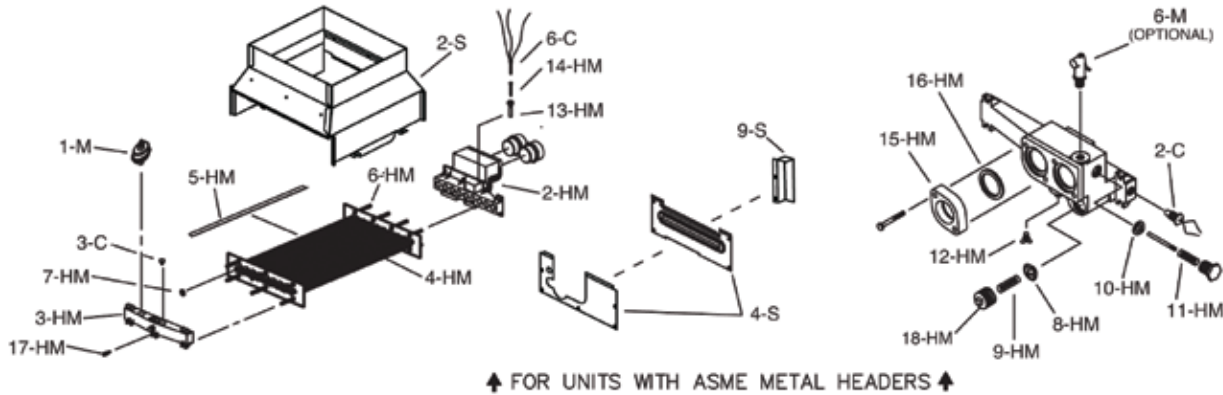


See page 54-57 for complete gas heaters.



## RAYPAK RP2100 - CURRENT SINCE NOV 98

ASME CAST IRON HEADERS - MILLIVOLT (MV) & DIGITAL/ELECTRONIC (IID) MODELS



KEY	MFG# (BY MODEL)				DESCRIPTION
B	206A	266A	336A	406A	BURNER TRAY
1-B	RAY-010391F	RAY-010392F	RAY-010393F	RAY-010394F	BURNER TRAY W/BURNERS (SEA LEVEL)*
1-B	RAY-010395F	RAY-010396F	RAY-010397F	RAY-010398F	BURNER TRAY W/O BURNERS (SEA LEVEL)*
1-B	RAY-010399F	RAY-010400F	RAY-010401F	RAY-010402F	BURNER TRAY W/GAS VALVE NATURAL MILLIVOLT
1-B	RAY-010403F	RAY-010404F	RAY-010405F	RAY-010406F	BURNER TRAY W/GAS VALVE PROPANE MILLIVOLT
1-B	RAY-010407F	RAY-010408F	RAY-010409F	RAY-010410F	BURNER TRAY W/GASVALVE NATURAL IDD
1-B	RAY-010411F	RAY-010412F	RAY-010413F	RAY-010414F	BURNER TRAY W/ GAS VALVE PROPANE IID
2-B	RAY-010415F	RAY-010416F	RAY-010417F	RAY-010418F	BURNER SPACER/ HOLD DOWN KIT
3-B	RAY-301210 (13)	RAY-301210 (18)	RAY-301210 (22)	RAY-301210 (27)	BURNER (QUANTITY REQUIRED)
4-B	RAY-350079F (13)	RAY-350079F (18)	RAY-350079F (22)	RAY-350079 (27)	BURNER ORIFICE NATURAL #50 (SEA LEVEL)* (QUANTITY REQUIRED)
4-B	RAY-350083F (13)	RAY-350083F (18)	RAY-350083F (22)	RAY-350083F (27)	BURNER ORIFICE PROPANE #57 (SEA LEVEL)* (QUANTITY REQUIRED)
5-B	RAY-010421F	RAY-010422F	RAY-010423F	RAY-010424F	BURNER TRAY W/O MANIFOLD W/O BURNERS
C	206A	266A	336A	406A	CONTROLS
1-C	RAY-006725F	RAY-006725F	RAY-006725F	RAY-006725F	THERMOSTAT AUTO RESET 135 DEG. SURFACE MOUNT
2-C	RAY-600892B	RAY-600892B	RAY-600892B	RAY-600892B	AGS 135° (AUTO GAS SHUT-OFF) RED EPOXY
3-C	RAY-600893B	RAY-600893B	RAY-600893B	RAY-600893B	HIGH LIMIT 140° - BLACK EPOXY
4-C	RAY-100-10000345	RAY-100-10000345	RAY-100-10000345	RAY-100-10000345	P.C. BOARD/CONTROL (RAY-013464F)
7-C	NLA	NLA	NLA	NLA	NO LCD ON UNITS BEFORE 5/2011
7-C	RAY-013640F	RAY-013640F	RAY-013640F	RAY-013640F	LCD DISPLAY - UNITS MANUFACTURED AFTER 5/2011
8-C	RAY-013733F	RAY-013733F	RAY-013733F	RAY-013733F	FUSE 5 AMP
5-C	RAY-003346F	RAY-003346F	RAY-003346F	RAY-003346F	THERMOSTAT CONTROL MV UNITS MECHANICAL
6-C	RAY-009577F	RAY-009577F	RAY-009577F	RAY-009577F	TEMPERATURE SENSOR IID UNITS
G	206A	266A	336A	406A	GAS VALVE
1-G	RAY-003898F	RAY-003898F	RAY-003898F	RAY-003898F	COMBINATION VALVE - NATURAL MV
1-G	RAY-003899F	RAY-003899F	RAY-003899F	RAY-003899F	COMBINATION VALVE - PROPANE MV
1-G	RAY-003900F	RAY-003900F	RAY-003900F	RAY-003900F	COMBINATION VALVE - NATURAL IID
1-G	RAY-004306F	RAY-004306F	RAY-004306F	RAY-004306F	COMBINATION VALVE - PROPANE IID
HP	206A	266A	336A	406A	HEAT EXCHANGER - POLYMER
1-HP	RAY-010043F	RAY-010044F	RAY-010045F	RAY-010046F	HEAT EXCHANGE ASSY. COPPER
1-HP	RAY-010356F	RAY-010357F	RAY-010358F	RAY-010359F	HEAT EXCHANGE ASSY. CUPRO NICKEL
2-HP	RAY-006827F	RAY-006827F	RAY-006827F	RAY-006827F	INLET/OUTLET HEADER COMPLETE
2-HP	RAY-014648F	RAY-014648F	RAY-014648F	RAY-014648F	INLET/OUTLET HEADER (INCLUDES 6-HP)

\* FOR INSTALLATION AT OVER 2,000 FEET ABOVE SEA LEVEL, DERATE 4% PER 1,000 FEET ABOVE SEA LEVEL.

See page 54-57 for complete gas heaters.



# Heater Replacement Parts

## RAYPAK RP2100 - CURRENT SINCE NOV 98

### MILLIVOLT (MV) & DIGITAL/ELECTRONIC (IID) MODELS

KEY	MFG# (BY MODEL)				DESCRIPTION
HP	206A	266A	336A	406A	HEAT EXCHANGER - POLYMER (CONTINUED)
3-HP	RAY-015095F	RAY-015095F	RAY-015095F	RAY-015095F	RETURN HEADER (INCLUDES 6-HP)
4-HP	RAY-010059F	RAY-010060F	RAY-010061F	RAY-010062F	TUBE BUNDLE COPPER
4-HP	RAY-010364F	RAY-010365F	RAY-010366F	RAY-010367F	TUBE BUNDLE CUPRO NICKEL
5-HP	RAY-010038F	RAY-005261F	RAY-010040F	RAY-010041F	BAFFLE
6-HP	RAY-008259F	RAY-008259F	RAY-008259F	RAY-008259F	FLANGE NUT KIT
7-HP	RAY-006713F	RAY-006713F	RAY-006713F	RAY-006713F	O-RING GASKET (2 REQUIRED)
8-HP	RAY-006714F	RAY-006714F	RAY-006714F	RAY-006714F	SENSOR ADAPTER DIGITAL ELECTRONIC
8-HP	RAY-006805F	RAY-006805F	RAY-006805F	RAY-006805F	SENSOR WELL MILLIVOLT
9-HP	RAY-006715F	RAY-006715F	RAY-006715F	RAY-006715F	BYPASS KIT
10-HP	RAY-006716F	RAY-006716F	RAY-006716F	RAY-006716F	BYPASS VALVE
11-HP	RAY-006717F	RAY-006717F	RAY-006717F	RAY-006717F	BYPASS DAM/SHAFT
12-HP	RAY-006718F	RAY-006718F	RAY-006718F	RAY-006718F	BYPASS SPRING (ALL SIZES INCLUDED)
13-HP	RAY-006719F	RAY-006719F	RAY-006719F	RAY-006719F	UNITHERM GOVERNOR
14-HP	RAY-006720F	RAY-006720F	RAY-006720F	RAY-006720F	UNITHERM GOVERNOR PLUG
15-HP	RAY-006721F	RAY-006721F	RAY-006721F	RAY-006721F	DRAIN PLUG
16-HP	NLA USE 19-HP	NLA USE 19-HP	NLA USE 19-HP	NLA USE 19-HP	INLET/OUTLET HEADER DAM
17-HP	RAY-006723F	RAY-006723F	RAY-006723F	RAY-006723F	2" CPVC CONNECTOR & NUT (2 REQUIRED)
18-HP	RAY-006724F	RAY-006724F	RAY-006724F	RAY-006724F	O-RING (2 REQUIRED)
19-HP	RAY-006826F	RAY-006826F	RAY-006826F	RAY-006826F	INLET/OUTLET HEADER BAFFLE W/HEADER DAM
HM	206A	266A	336A	406A	HEAT EXCHANGER - METAL (ASME)
1-HM	RAY-010051F	RAY-006727F	RAY-010053F	RAY-010054F	HEAT EXCHANGE ASSY. COPPER ASME CI
1-HM	RAY-010360F	RAY-010361F	RAY-010362F	RAY-010363F	HEAT EXCHANGE ASSY. CUPRO NICKEL ASME CI
2-HM	RAY-006730F	RAY-006730F	RAY-006730F	RAY-006730F	INLET/OUTLET HEADER ASME CI COMPLETE
2-HM	RAY-012319F	RAY-012319F	RAY-012319F	RAY-012319F	INLET/OUTLET HEADER ASME CI
15-HM	RAY-003766F	RAY-003766F	RAY-003766F	RAY-003766F	INLET & OUTLET FLANGE
16-HM	RAY-062236B	RAY-062236B	RAY-062236B	RAY-062236B	FLANGE GASKET 1 1/2" CONNECTIONS
16-HM	RAY-800080B	RAY-800080B	RAY-800080B	RAY-800080B	FLANGE GASKET 2" CONNECTIONS
3-HM	RAY-006731F	RAY-006731F	RAY-006731F	RAY-006731F	RETURN HEADER ASME CI
4-HM	RAY-010055F	RAY-006733F	RAY-010057F	RAY-010058F	TUBE BUNDLE COPPER ASME
4-HM	RAY-010368F	RAY-010369F	RAY-010370F	RAY-010371F	TUBE BUNDLE CUPRO NICKEL ASME
5-HM	RAY-010038F	RAY-005261F	RAY-010040F	RAY-010041F	BAFFLE
6-HM	RAY-007870F	RAY-007870F	RAY-007870F	RAY-007870F	STUD BOLT KIT
7-HM	RAY-800014B	RAY-800014B	RAY-800014B	RAY-800014B	HEADER GASKET (9 REQUIRED)
8-HM	RAY-062234B	RAY-062234B	RAY-062234B	RAY-062234B	UNITHERM GOVERNOR
9-HM	RAY-013792F	RAY-013792F	RAY-013792F	RAY-013792F	U.G. RETAINER SPRING
18-HM	RAY-013738F	RAY-013738F	RAY-013738F	RAY-013738F	U.G. PLUG
10-HM	RAY-062235B	RAY-062235B	RAY-062235B	RAY-062235B	BYPASS VALVE
11-HM	RAY-850252	RAY-013794F	RAY-013794F	RAY-013794F	BYPASS SPRING
12-HM	RAY-013793F	RAY-013793F	RAY-013793F	RAY-013793F	DRAIN VALVE
13-HM	RAY-003765F	RAY-003765F	RAY-003765F	RAY-003765F	SENSOR WELL
14-HM	RAY-300203	RAY-300203	RAY-300203	RAY-300203	WELL RETAINING CLIP
17-HM	RAY-005264F	RAY-005264F	RAY-005264F	RAY-005264F	REAR DRAIN PLUG & COVER

See page 54-57 for complete gas heaters.



## RAYPAK RP2100 - CURRENT SINCE NOV 98

MILLIVOLT (MV) & DIGITAL/ELECTRONIC (IID) MODELS

KEY	MFG# (BY MODEL)				DESCRIPTION
J	206A	266A	336A	406A	CONTROL BOX
1-J	RAY-006736F	RAY-006736F	RAY-006736F	RAY-006736F	TRANSFORMER 120/240/24V
2-J	RAY-009493F	RAY-009493F	RAY-009493F	RAY-009493F	ROCKER SWITCH
M	206A	266A	336A	406A	MISCELLANEOUS COMPONENTS
1-M	RAY-006737F	RAY-006737F	RAY-006737F	RAY-006737F	PRESSURE SWITCH 1/75 PSI
1-M	RAY-009133F	RAY-009133F	RAY-009133F	RAY-009133F	PRESSURE SWITCH 11 PSI
2-M	RAY-009499F	RAY-009499F	RAY-009499F	RAY-009499F	THERMOSTAT KNOB
3-M	RAY-800307	RAY-800307	RAY-800307	RAY-800307	THERMOSTAT SHAFT MV
4-M	RAY-006886F	RAY-006886F	RAY-006886F	RAY-006886F	KNOBSTOP
5-M	RAY-005899F	RAY-005899F	RAY-005899F	RAY-005899F	THERMAL FUSE (ROLL OUT SWITCH)
6-M	RAY-008091F	RAY-007224F	RAY-007224F	RAY-007224F	PRV 125 PSI (OPTIONAL)
7-M	RAY-052871F	RAY-052871F	RAY-052871F	RAY-052871F	DELIMITING KIT
8-M	RAY-010386F	RAY-010386F	RAY-010386F	RAY-010386F	WIRE/HARNESS MILLIVOLT
8-M	RAY-009490F	RAY-009490F	RAY-009490F	RAY-009490F	WIRE/HARNESS IID
9-M	RAY-009489F	RAY-009489F	RAY-009489F	RAY-009489F	CONTROL BEZEL MV (INCLUDES DIAL DECAL)
10-M	RAY-009858F	RAY-009858F	RAY-009858F	RAY-009858F	DIAL DECAL MV
11-M	RAY-009491F	RAY-009491F	RAY-009491F	RAY-009491F	CONTROL BEZEL - UNITS MANUFACTURED PRIOR TO 5/2011
11-M	RAY-013491F	RAY-013491F	RAY-013491F	RAY-013491F	CONTROL BEZEL - UNITS MANUFACTURED AFTER TO 5/2011
12-M	RAY-009492F	RAY-009492F	RAY-009492F	RAY-009492F	SWITCH/DECAL-MEMBRANE - UNITS MANUFACTURED PRIOR TO 5/2011
12-M	RAY-013492F	RAY-013492F	RAY-013492F	RAY-013492F	SWITCH/DECAL-MEMBRANE - UNITS MANUFACTURED AFTER TO 5/2011
13-M	RAY-009487F	RAY-009487F	RAY-009487F	RAY-009487F	CONTROL BEZEL COVER
14-M	RAY-010350F	RAY-010350F	RAY-010350F	RAY-010350F	GASKET INSULATION (SWAYBRACE & JACKET TOP)
P	206A	266A	336A	406A	PILOT
1-P	RAY-600525B	RAY-600525B	RAY-600525B	RAY-600525B	PILOT NATURAL MV
1-P	RAY-600575B	RAY-600575B	RAY-600575B	RAY-600575B	PILOT PROPANE MV
2-P	RAY-002003F	RAY-002003F	RAY-002003F	RAY-002003F	PILOT NATURAL & PROPANE IID
3-P	RAY-003901F	RAY-003901F	RAY-003901F	RAY-003901F	PILOT ORIFICE NATURAL MV
3-P	RAY-003902F	RAY-003902F	RAY-003902F	RAY-003902F	PILOT ORIFICE PROPANE MV
4-P	RAY-003903F	RAY-003903F	RAY-003903F	RAY-003903F	PILOT ORIFICE NATURAL IID .020
4-P	RAY-004308F	RAY-004308F	RAY-004308F	RAY-004308F	PILOT ORIFICE PROPANE IID .012
5-P	RAY-600019B	RAY-600019B	RAY-600019B	RAY-600019B	PILOT GENERATOR MV
6-P	RAY-010352F	RAY-010352F	RAY-010352F	RAY-010352F	PILOT MTG BRACKET MV
7-P	RAY-306692	RAY-306692	RAY-306692	RAY-306692	PILOT MOUNTING BRACKET IID
8-P	RAY-062996	RAY-062996	RAY-062996	RAY-062996	LIGHTER TUBE (MV UNITS ONLY)
9-P	RAY-004078F	RAY-004078F	RAY-004078F	RAY-004078F	PILOT TUBE
10-P	NLA	NLA	NLA	NLA	HI TENSION WIRE IID WITH PILOT ELECTRODE
11-P	RAY-010351F	RAY-010351F	RAY-010351F	RAY-010351F	PILOT SHIELD
R	206A	266A	336A	406A	REFRACTORY
1-R	RAY-010088F	RAY-010088F	RAY-010088F	RAY-010088F	REFRACTORY COMMON LT & RT
2-R	RAY-010089F	RAY-010090F	RAY-010091F	RAY-010092F	REFRACTORY UNCOMMON (FRONT & REAR)
3-R	RAY-010387F	RAY-010388F	RAY-010389F	RAY-010390F	REFRACTORY RETAINER KIT

See page 54-57 for complete gas heaters.



# Heater Replacement Parts

## RAYPAK RP2100 - CURRENT SINCE NOV 98

### ASME CAST IRON HEADERS - MILLIVOLT (MV) & DIGITAL/ELECTRONIC (IID) MODELS

KEY	MFG# (BY MODEL)				DESCRIPTION
S	206A	266A	336A	406A	SHEETMETAL
1-S	RAY-010047F	RAY-010048F	RAY-010049F	RAY-010050F	JACKET TOP (LOUVERED)
2-S	RAY-010071F	RAY-010072F	RAY-010073F	RAY-010074F	FLUE COLLECTOR (UNITS WITH POLYMER HEADER)
2-S	RAY-010075F	RAY-010076F	RAY-010077F	RAY-010078F	FLUE COLLECTOR (UNITS WITH METAL HEADER)
4-S	RAY-010311F	RAY-010311F	RAY-010311F	RAY-010311F	ACCESS PANEL SET (3 PCS UNITS WITH POLYMER HEADER)
4-S	RAY-010312F	RAY-010312F	RAY-010312F	RAY-010312F	ACCESS PANEL SET (3 PCS UNITS WITH METAL HEADER)
7-S	RAY-010372F	RAY-010373F	RAY-010374F	RAY-010375F	JACKET REAR PANEL (2 PCS.)
8-S	RAY-009505	RAY-009505	RAY-009505	RAY-009505	POOLSTAT COVER/LOCK
9-S	RAY-010319F	RAY-010319F	RAY-010319F	RAY-010319F	HIGH LIMIT COVER
10-S	RAY-010320F	RAY-010320F	RAY-010320F	RAY-010320F	BASE HEAT SHIELD
11-S	RAY-010321F	RAY-010322F	RAY-010323F	RAY-010324F	UP FRONT CONTROL PANEL - GREEN
11-S	RAY-013887F	RAY-013888F	RAY-013889F	RAY-013890F	UP FRONT CONTROL PANEL - COOL DARK GRAY
11-S	RAY-013891F	RAY-013892F	RAY-013893F	RAY-013894F	UP FRONT CONTROL PANEL - WARM DARK GRAY
12-S	RAY-010342F	RAY-010342F	RAY-010342F	RAY-010342F	HIGH LIMIT SHEILD
13-S	RAY-010325F	RAY-010326F	RAY-010327F	RAY-010328F	WEATHER SHIELD
V	206A	266A	336A	406A	VENTING
1-V	RAY-009838	RAY-009839	RAY-009840	RAY-009841	INDOOR STACK KIT (INCLUDES INNER ADAPTER PANEL)
1-V	RAY-009834	RAY-009835	RAY-009836	RAY-009837	OUTDOOR STACK KIT (INCLUDES INNER ADAPTER PANEL)
2-V	RAY-010330F	RAY-010331F	RAY-010332F	RAY-010333F	STACK ADAPTER
4-V	RAY-011461F	RAY-011462F	RAY-011463F	RAY-011464F	OUTER STACK ADAPTER
3-V	RAY-010334	RAY-010335	RAY-010336	RAY-010337	"PADODA" TOP - GREEN
3-V	RAY-013883F	RAY-013884F	RAY-013885F	RAY-013886F	"PAGODA" TOP - COOL DARK GRAY
	206A	266A	336A	406A	ATMOSHERIC CONVERSION KITS *
	RAY-004690B	RAY-004690B	RAY-004692B	RAY-004692B	GAS CONVERSIONS - NATURAL TO PROPANE MV PILOT
	RAY-010419F	RAY-010419F	RAY-010420F	RAY-010420F	GAS CONVERSIONS - PROPANE TO NATURAL MV PILOT
	**	**	**	**	GAS CONVERSIONS - NATURAL TO PROPANE IID PILOT
	**	**	**	**	GAS CONVERSIONS - PROPANE TO NATURAL IID PILOT

\* GAS CONVERSIONS ARE TO BE DONE ONLY BY A QUALIFIED AGENCY.

\*\* CONVERSION MUST BE MADE WITH COMPLETE BURNER TRAY AND GAS VALVE (SEE ITEM 1-B).

See page 54-57 for complete gas heaters.





**To open an account:** We invite all customers to apply for an account with us. It is the easiest and most efficient way for us to serve you. To apply for an account, please fill out the credit application that is included in this catalog and mail or email it to the appropriate branch:

**Horizon Commercial Pools - MPLS/ST. PAUL**  
 4444 Round Lake Road West  
 Arden Hills, MN 55112

**Office: (651) 917-3075**  
**office-MN@horizonpoolsupply.com**

**Horizon Commercial Pools - MILWAUKEE**  
 12900 West Silver Springs Drive  
 Butler, WI 53007

**Office: (262) 783-6040**  
**office-WI@horizonpoolsupply.com**

**Horizon Commercial Pools - GREEN BAY**  
 2009 Enterprise Dr  
 De Pere, WI 54115

**Office: (920) 687-8351**  
**office-GB@horizonpoolsupply.com**

We will promptly process your application and contact you as soon as your new account is activated.

**Ordering:** To ensure prompt and proper shipment, order by manufacturer number and description. When ordering items not in the catalog or fully covered in the catalog, you will need to furnish sufficient information to allow Horizon Commercial Pools to properly fill your order. To place orders please call your local branch. You may also fax or email orders 24 hours a day. Please make sure to include your contact name and phone number when placing fax and email orders so we may contact you if we have any questions about your order. All email orders will be confirmed upon receipt by email.

**Shipping & Delivery:** Shipping charges will apply on all deliveries unless otherwise specified. Please call for current shipping and delivery charges to your area. Our shipping methods include delivery by Horizon Chemical Co., Inc. (Horizon Commercial Pools), Truck Freight, Spee-Dee, Fed-Ex, UPS and Courier.

**Back Orders:** As hard as we try to provide prompt delivery of all items, we occasionally may need to place an item on back order. We will automatically send out all back orders upon receipt of the item in our warehouse unless otherwise requested. Most back orders are shipped within several days from the date of order and shipping charges will apply unless otherwise specified.

**Payments:** We accept payment in the form of checks, EFT, ACH and credit card. Credit card payments on invoices over \$3,000 will incur a 3.0% fee unless with prior approval.

**Returns:** Some restrictions apply to returns. Date of original purchase, invoice number, and reason for return must be included with all returns along with a Horizon Return Merchandise Authorization (RMA) number. No returns are accepted on special order items, chemicals, or electric parts. All returns must be made within 90 days of purchase. Products returned for credit must be in new salable condition, must be sent freight prepaid, and are subject to a 30% restocking fee. All returns are subject to inspection by Horizon Commercial Pools and are returnable only at our discretion. Freight and shipping charges will not be credited. Please see Warranty Terms within our Terms & Conditions for warranty returns.

**Container Deposits & Returns:** Many of our drums and containers incur a deposit to ensure they are returned to us in reusable condition. This keeps packaging and product costs as low as possible. Container deposits will be itemized on each invoice as well as credits for any returned containers. Containers returned in reusable condition will be fully credited less a small cleaning/testing/environmental fee. Containers that are written on, require extensive cleaning, are damaged, have product residue, are missing caps or are otherwise not reusable will not be credited. Containers with any product residue will not be picked up for credit until fully empty.

Container Size	Deposit	Return	Container Size	Deposit	Return	Container Size	Deposit	Return
2.5 Gallon Drum	\$7.00	\$5.75	15 Gallon Drum	\$30.00	\$27.50	65# CO2 Cylinder	\$365.00	\$340.00
5 Gallon Drum	\$15.00	\$13.50	55 Gallon Drum	\$50.00	\$46.75			

**Discounts:** Volume discounts are available on many items. Please call for details.

**Service:** Horizon Commercial Pools offers a wide range of services as detailed within this catalog. All service orders are subject to approval by Horizon Commercial Pools and will be billed as time and materials used. Quotations, bids and estimates are available upon request. All quotes and bids must be signed by an authorized person and returned to our offices before work will be scheduled, or before work can begin. Service orders exceeding \$2,000 will be subject to a 50% payment upon ordering or acceptance of a quote or bid. The remaining balance will carry the terms of Net 10 Days from date of invoice. Please call if you have questions about service work, hourly rates, or would like a free quote, bid or estimate.

**Support:** We pride ourselves on providing excellent customer service and support. Free support on just about anything is available by calling or by sending an email to your branch office. We will be happy to answer any questions you may have about repairs, water balance, testing, codes, and many other aspects of swimming pool care.

**Questions?:** If you have questions regarding your account, our products and services, pool care, or anything else, please call us. We carry much more than we are able to cover in this catalog and would be happy to service any other needs you may have. Our staff is friendly and polite and we would love to hear from you.



# Terms & Conditions



**Terms:** All product orders and service orders are Prepaid, payable upon placement of order with Visa, MasterCard, Discover or with check, money order or EFT/ACH payment. Credit card payments on invoices over \$3,000 will incur a 3.0% fee unless with prior approval. All payments to be made in United States Dollars.

**Credit:** Credit terms may be established by filling out the attached *Horizon Credit Application*. It may be mailed or emailed to our office and will be processed in a timely fashion (typically 1-3 days). Terms of credit are typically Net 30 Days from date of invoice unless otherwise specified. Invoice will be dated as of date of delivery or completion of work. Orders exceeding \$2,000 may be subject to 50% prepayment or deposit with the remainder due Net 10 Days from the invoice date. Accounts are considered delinquent over 30 days from the invoice date and will be subject to finance charges of 1½% per month (18% per annum) after 60 days from the invoice due date, with a minimum late fee of \$10.00.

- All sales will be charged applicable sales tax unless accounts have on file an up to date tax exempt certificate.
- Returned checks due to insufficient funds will result in a \$35.00 returned check fee charged to the issuer.
- Any collections costs for delinquent accounts incurred by the seller, including legal fees, will be paid by the customer.

**Special Orders:** Special order items are defined as items not typically stocked by Horizon Commercial Pools. Special orders are not returnable and all sales are considered to be final. Prepayment terms may apply to special orders. Special orders may incur additional shipping charges.

**Pricing:** All prices are FOB point of shipment unless otherwise noted. All prices, terms, specifications and policies within our catalog are subject to change with or without notice. We try hard to maintain prices, but due to the volatility of some of our product cost, we must reserve the right to make reasonable pricing adjustments at any time. Prices do not include sales tax. If you have any questions about our pricing, special pricing, or volume pricing, please call.

**Returns:** Some restrictions apply to returns. Date of original purchase, invoice number, and reason for return must be included with all returns along with a Horizon assigned Return Merchandise Authorization (RMA) number. No returns are accepted on special order items, chemicals, or electrical parts. All returns must be made within 90 days of purchase. Products returned for credit must be in new salable condition, must be sent freight prepaid, and are subject to a 30% restocking fee. All returns are subject to inspection by Horizon Commercial Pool Supply and are returnable only at our discretion. Freight charges will not be credited. Please see Warranty Terms for warranty returns.

**Claims:** Hidden shortage claims must be within 5 days of receipt of the merchandise. We will not be responsible for goods damaged or lost in transit. The shipper's responsibility ceases upon delivery to any common carrier or at time of customer's pick up. All claims for merchandise damaged in shipment or shortages must be made with the carrier.

**Warranty Terms:** Horizon Commercial Pools provides no further warranties, express or implied, other than that provided by the manufacturer of the products sold. Horizon Commercial Pools shall have no liability for any injury, loss or damage, direct or consequential, arising from the use of or the inability to use the products or good sold. It is the Buyers responsibility to determine the suitability of the products for the intended use and assumes all risk and liability in connection with the products and goods sold. Alteration of or to any items warranted by the manufacturer of those items without the permission of Horizon Commercial Pools or the manufacturer shall void any and all warranties. In the event that we agree to submit a warranty claim to the manufacturer of a product, the customer shall pay all freight and the cost of replacement as detailed in the terms stated above. Only upon Horizon's receipt of a credit from the manufacturer, will we issue a credit to the customer's account for the warranted product. Repairs or labor incurred on warranty items is not included in any manufacturer's warranty unless otherwise specified. All labor, regardless of manufacturer's warranty status or terms, will be billed at standard labor rates. Any credit or labor reimbursement Horizon receives from a manufacturer will be credited to customer account in the amount of the credit or reimbursement received from the manufacturer. In most cases, manufacturer's reimbursement will not cover all labor charges. *Warranty processing is provided as an added value service and Horizon reserves the right to refuse the processing of any manufacturer's warranty.*

**Product Liability:** The Buyer acknowledges that the goods sold to them can cause property damage or personal injury if not properly sized, handled, installed, maintained, and/or used. The Buyer acknowledges that they will instruct their employees and customers (if applicable), in the proper sizing, handling, installation, maintenance, and use of the goods purchased. The Buyer further agrees to indemnify and hold harmless Horizon Chemical Co., Inc. from any and all claims for damage, loss and/or liability contributed to or arising out of the improper sizing, handling, installation, maintenance and use of the goods purchased. The Buyer acknowledges their responsibility to supply the subsequent purchasers all instructions and warnings supplied with the goods.

**Illustrations:** Illustrations in this catalog are intended for general description. Unless specified in descriptive literature, they do not represent any particular brand, product, packaging or size.

**All Orders:** The seller reserves the right to invoice at prices in effect at the time of shipment and to correct typographical errors. Seller reserves the right to refuse sale to anyone for any reason unless otherwise restricted by law.

**Service:** All service orders are subject to approval by Horizon Commercial Pools and will be billed as time and materials used at current labor and material rates. Quotations, bids and estimates are available upon request. All quotes and bids must be signed by an authorized person and returned to our offices before work will be scheduled and before work can begin. Service orders exceeding \$2,000 will be subject to a 50% payment upon ordering or acceptance of a quote or bid, and the remaining balance will carry the terms of Net 10 Days from date of invoice. There is no warranty expressed or implied on any service work, labor or materials that Horizon performs. Warranties are limited to those stated above and provided by manufacturer.

**Horizon Commercial Pools -MPLS/ST. PAUL**  
4444 Round Lake Road West  
Arden Hills, MN 55112  
Office: (651) 917-3075

**Horizon Commercial Pools - MILWAUKEE**  
12900 West Silver Springs Drive  
Butler, WI 53007  
Office: (262) 783-6040

**Horizon Commercial Pools - GREEN BAY**  
2009 Enterprise Dr  
De Pere, WI 54115  
Office: (920) 687-8351



# Saturation Index

The Saturation Index (SI) is a method of determining whether water will deposit calcium carbonate or maintain it in solution. In short it tells you whether your water is corrosive or scale forming. The SI incorporates the five balance factors: pH, total alkalinity, calcium hardness, temperature, and total dissolved solids. For pool and spa water, the ideal result of performing this index is to have a result of zero, i.e., SI = 0. Balanced water is between - 0.3 and + 0.3. Corrosive water is - 0.4 and lower. Scaling water is + 0.4 and higher. Having water outside of the balanced range can contribute to extensive damage to the pool surface, equipment and structure.

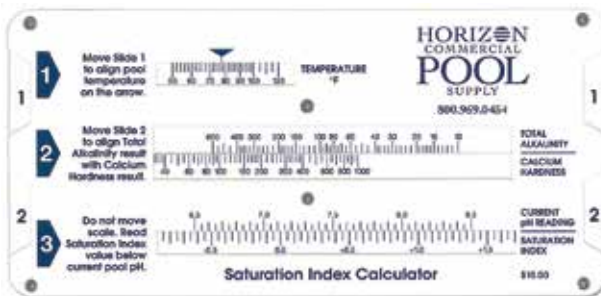
## Calculating the Saturation Index

To determine whether pool or spa water is properly balanced, a full water chemistry analysis is necessary. When calculating the SI use the factors below. If an actual measurement is not found in the chart, use the next greatest value. The measured pH value is used directly in the formula. There are many slide rule saturation index calculators available that make it quick and easy to determine your Saturation Index.

$$SI = pH + Tf + Cf + Af - TDSf$$

Saturation Index      pH as tested      Temperature factor      Calcium factor      Alkalinity factor      TDS factor

*\*\*High levels of Cyanuric Acid can contribute to false Saturation Index readings. Cyanuric acid should never be above 30 ppm due to the adverse effects on sanitizer activity.*



\* Free with any consultation

## Saturation Index Factors

Temperature			Calcium Hardness expressed as CaCO <sub>3</sub>		Total Carbonate Alkalinity	
°F	°C	Tf	ppm (mg/L)	Cf	ppm (mg/L)	Af
32	0.0	0.0	25	1.0	25	1.4
37	2.8	0.1	50	1.3	50	1.7
46	7.8	0.2	75	1.5	75	1.9
53	11.7	0.3	100	1.6	100	2.0
60	15.6	0.4	125	1.7	125	2.1
66	18.9	0.5	150	1.8	150	2.2
76	24.4	0.6	200	1.9	200	2.3
84	28.9	0.7	250	2.0	250	2.4
94	34.4	0.8	300	2.1	300	2.5
105	40.6	0.9	400	2.2	400	2.6
			800	2.5	800	2.9

Total Dissolved Solids Factor

Less than 1,000 ppm (mg/L) 12.1	1,000 ppm (mg/L) or greater 12.2
---------------------------------------	--

	Value	Factor
pH		
Temperature		
Calcium Hardness		
Alkalinity		
Sub-Total		
Total Dissolved Solids (TDS)		
Saturation Index		

## Calculation Formulas

<b>Amount Conversions</b>	
Ounces to Pounds	Ounces ÷ 16 = Pounds
Fluid Ounces to Gallons	Fluid Ounces ÷ 128 = Gallons
<b>Distance Conversions</b>	
Yards to Feet	Yards x 3 = Feet
Meters to Feet	Meters x 3.28 = Feet
<b>Surface Areas</b>	
Rectangle/Square	Length x Width = Square Feet
Circle (Radius = Diameter ÷ 2)	3.14 x Radius x Radius = Square Feet
<b>Pool Volume</b> (Average Depth = Shallow + Deep ÷ 2)	
Rectangle/Square	Length x Width x Average Depth x 7.5 = Gallons
Circle	3.14 x Radius x Radius x Average Depth x 7.5 = Gallons
Turnover Rate	Pool Volume ÷ Flow Rate ÷ 60 = Hours
Flow Rate	Pool Volume ÷ Turnover Rate (hours) ÷ 60 = Gallons per Minute
Filter Surface Area	Flow Rate ÷ Filtering Rate (Filter Specific) = Square Feet
Heaters - BTU	Volume x 8.33 x Temperature Rise = BTU
Bather Load/Pool Capacity	** See State Public Swimming Pool Code Book



## Disinfectants Residual Types of Disinfectants

## Swimming and Activity Pool

## Whirlpool, Exercise and Therapy Pools

	Range	Ideal	Range	Ideal
Free Available Chlorine	1.0 – 10.0 <sub>ppm</sub>	2.0 – 8.0 <sub>ppm</sub>	3.0 – 10.0 <sub>ppm</sub>	3.0 – 8.0 <sub>ppm</sub>
Combined Available Chlorine	Outdoor: No more than 0.5 <sub>ppm</sub> permitted Indoor: No more than 0.8 <sub>ppm</sub> permitted		Outdoor: No more than 0.5 <sub>ppm</sub> permitted Indoor: No more than 0.8 <sub>ppm</sub> permitted	
Stabilized Chlorine	1.5 – 10.0 <sub>ppm</sub>	3.0 – 8.0 <sub>ppm</sub>	4.0 – 10.0 <sub>ppm</sub>	3.0 – 8.0 <sub>ppm</sub>
Total Bromine	3.0 – 20.0 <sub>ppm</sub>	4.0 – 12.0 <sub>ppm</sub>	7.0 – 20.0 <sub>ppm</sub>	6.0 – 12.0 <sub>ppm</sub>
Calcium Hardness (recommended)		200 – 400 <sub>ppm</sub>		150 – 250 <sub>ppm</sub>
pH	7.2 – 7.8	7.4 – 7.6	7.2 – 7.8	7.4 – 7.6
Alkalinity	60 – 180 <sub>ppm</sub>	80 – 120 <sub>ppm</sub>	60 – 180 <sub>ppm</sub>	80 – 120 <sub>ppm</sub>
Cyanuric Acid	30 <sub>ppm</sub> max.	0 – 30 <sub>ppm</sub>	30 <sub>ppm</sub> max.	0 – 30 <sub>ppm</sub>
Temperature	72° - 95°	78° - 86°	104° max.	100° - 104°

**Clarity:** Bottom drains and floor must be clearly visible at all times

### Water Testing Frequency

Parameters	Pools and Water Attractions	Whirlpools, Therapy & Exercise Pools
pH & Disinfectant: Chlorine or Bromine	**2x/day	***4x/day
Electronic Monitoring Device (ORP System)	*1x/day	*1x/day
Combined Chlorine	2x/week	1x/day
Total Alkalinity	1x/week	1x/week
Cyanuric Acid (Stabilizer)	1x/week	1x/week

\*ORP devices must be continually monitored and kept between 650 mV - 850mV.

\*\*Testing shall be performed before opening and during peak patron load.

\*\*\* Testing shall be performed before opening and two more times during use.

### Daily Records should include:

- Free Available Chlorine, Total Available Chlorine, pH, Total Alkalinity, Temperature, and Cyanuric Acid test results
- Volume or amounts of fresh water or chemical additions, flow rate, filter pressures, cleaning and maintenance of pool equipment, and any malfunctioning or problems with equipment
- Physical check of main drain and suction covers

### Controlled Access to Pool (fencing)

- Fence 5 feet high, less than 4 inch opening at bottom and any other openings
- Gate 4 feet or higher with self closing, self latching, lockable with latches

### Depth Markings

- Numerals, 4 inches high in contrasting color at 25' intervals and at changes in slope. Letters FT and IN follow numbers. Require depth markings in water line also.
- "No Diving" on pool deck on all sides of the pool where diving is not permitted and spaced not more than 25 feet apart. Minimum 4 inches high in contrasting color.

### Slope Changes

- Indicated by a band of contrasting color on the sides and bottom of the pool
- Minimum width 4 inches in a contrasting color

### Stair Markings

- The leading edge of stair treads must be marked by a strip of dark contrasting color, 1/2 - 2 inches in width

### Required Warning Signs

- **"Pool Rules"**  
Must be prominently posted
- **"No Diving"**  
Where needed
- **"Pool Capacity"**  
Must be prominently posted
- **"Warning No Lifeguard on Duty"**  
(4 inch letters)
- **"Whirl Pool Rules"** and **"Whirl Pool Capacity"**  
Where applicable

### Pool Operators

- Horizon strongly recommends that every swimming pool shall be operated under the direct supervision of a trained Nation Certified Pool Operator

### Chemicals

- Store covered in a cool, dry place
- Segregate acids, bases and oxidizers

### Cleanliness

- Pools and decks must be maintained in a clean, sanitary condition
- Daily maintenance is required

### Safety Equipment (Reference Chapter ATCP 76 for specifics for your body of water)

- Ring Buoy – with 1/4" rope attached, 1 1/2 times width of pool, but not more than 50 feet
- Life Hook – with 12 ft straight pole bolted to hook
- Rescue tube required
- Ropes and floats required unless determined safety hazard to designate transition shallow/deep
- First aid kit required
- Working phone in pool area required
- Mount life saving equipment on conspicuous, readily accessible locations around the pool. Pools providing lifeguard service must have a First Aid Kit and Spine Board.







# Pool Guidelines (Minnesota)

## Disinfectants Residual Types of Disinfectants

## Swimming Pool

## Spa

Types of Disinfectants	Swimming Pool		Spa	
	Range	Ideal	Range	Ideal
Free Available Chlorine	1.0 – 10.0 ppm	2.0 – 8.0 ppm	2.0 – 10.0 ppm	3.0 – 8.0 ppm
Combined Available Chlorine	No more than 0.5 ppm permitted		No more than 0.5 ppm permitted	
Stabilized Chlorine	1.0 – 10.0 ppm	3.0 – 8.0 ppm	2.0 – 10.0 ppm	3.0 – 8.0 ppm
Total Bromine	2.0 – 20.0 ppm	4.0 – 12.0 ppm	4.0 – 20.0 ppm	6.0 – 12.0 ppm
Calcium Hardness		200 – 400 ppm		150 – 250 ppm
pH	7.2 – 7.8	7.4 – 7.6	7.2 – 7.8	7.4 – 7.6
Alkalinity	60 – 150 ppm	80 – 120 ppm	60 – 150 ppm	80 – 120 ppm
Cyanuric Acid	100 ppm max.	0 – 30 ppm	100 ppm max.	0 – 30 ppm
Temperature		76° - 86°	104° max.	100°-104°

### Causes of Immediate Closure Pool/Spa

- Lifesaving equipment not provided
- Bottom drain not visible
- Min disinfectant residuals are not met (See above)
- Construction or physically altered pools don't have approved plans
- Any condition that endangers health/safety of public user

### Test Kits (store test reagents in a cool, dry place away from light)

- DPD type test kit for free and total disinfectant residuals  
Must be able to read up to 10.0 ppm with 0.2 ppm accuracy  
Orthotolidine test kits are not acceptable
- pH test kit
- Alkalinity test kit
- Cyanuric Acid test kit (if using stabilized chlorine)

### Safety Equipment (one of each unit per 2,000 square feet of pool surface area)

- Ring Buoy – with 3/16" rope attached, 1½ times width of pool, but not more than 60 feet
- Shepherd's Hook – with 12 ft straight pole bolted to hook
- Mount life saving equipment on conspicuous, readily accessible locations around the pool. Pools providing lifeguard service must have a First Aid Kit and Spine Board.

### Controlled Access to Pool (fencing)

- Fence 5 feet high, less than 2 inch opening at bottom and 4 inches at any other openings
- Gate 4 feet or higher with self closing, self latching, lockable with latches

### Depth Markings

- Numerals, 4 inches high in contrasting color at 25' intervals and at changes in slope. Letters FT and IN follow numbers. Some localities require depth markings in water line also.
- "No Diving" on pool deck on all sides of the pool where diving is not permitted and spaced not more than 25 feet apart. Minimum 4 inches high in contrasting color.

### Slope Changes

- Indicated by a band of contrasting color on the sides and bottom of the pool
- Minimum width 6 inches in a contrasting color

### Stair Markings

- The leading edge of stair treads must be marked by a strip of dark contrasting color, ½ - 2 inches in width

### Daily Records must include:

- Free Available Chlorine, Total Available Chlorine, pH, Total Alkalinity, Temperature, and Cyanuric Acid test results
- Volume or amounts of fresh water or chemical additions, flow rate, filter pressures, cleaning and maintenance of pool equipment, and any malfunctioning or problems with equipment
- Physical check of main drain and suction covers
- Sanitizer interlock checked weekly

## Required Warning Signs

- **"Pool Rules"**  
Must be prominently posted
- **"No Diving"**  
Where needed
- **"Pool Capacity"**  
Must be prominently posted
- **"Warning No Lifeguard on Duty"**  
(4 inch letters)  
**"Children shall not use pool without an adult in attendance"**  
(1 inch letters) Must be displayed at pools without lifeguard service
- **"For Emergency Use Only"**  
Must be posted above safety equip.
- **Emergency Instructions: 911**  
Or other instructions for emergency calls must be prominently posted
- **"Spa Rules"** and **"Spa Capacity"**  
Where applicable

### Pool Operators

- Every swimming pool shall be operated under the direct supervision of a trained Nation Certified Pool Operator

### Chemicals

- Store covered in a cool, dry place
- Segregate acids, bases and oxidizers

### Cleanliness

- Pools and decks must be maintained in a clean, sanitary condition
- Daily maintenance is required





St. Paul & Minneapolis Area Office  
651.917.3075

# Daily Log Sheet

Pool Name/Type: \_\_\_\_\_

Facility: \_\_\_\_\_

Year: \_\_\_\_\_



Day/Date	Time of Day	Sanitizer (Br x 2)		pH	Alkalinity	Calcium Hardness	Cyanuric Acid	Temp.	Flow Rate Mln=	Filter Pressure	ORP/HRR	Suc. Cover Secure?	Sanitizer Interlock	CPO Initials
		Free	Combined											
Monday	AM											Y/N	Y/N	
	PM											Y/N	Y/N	
Notes:														
Tuesday	AM											Y/N	Y/N	
	PM											Y/N	Y/N	
Notes:														
Wednesday	AM											Y/N	Y/N	
	PM											Y/N	Y/N	
Notes:														
Thursday	AM											Y/N	Y/N	
	PM											Y/N	Y/N	
Notes:														
Friday	AM											Y/N	Y/N	
	PM											Y/N	Y/N	
Notes:														
Saturday	AM											Y/N	Y/N	
	PM											Y/N	Y/N	
Notes:														
Sunday	AM											Y/N	Y/N	
	PM											Y/N	Y/N	
Notes:														

Ideal Ranges: \*

Free Chlorine (FAC):

2.0 - 8.0 ppm

Total Dissolved Solids (TDS):

<2,000 ppm

Combined Chlorine:

<0.5 ppm

Alkalinity:

80 - 120 ppm

Bromine:

4.0 - 12.0 ppm

Cyanuric Acid:

0 - 30 ppm

pH (Phenol Red):

7.4 - 7.5

Calcium Hardness:

150 - 250 ppm (spa) & 200 - 400 ppm (pool)

\* These ranges are only guidelines. Pool Operators should always consult local codes for their state and region.



## A

Access Lifts 109-113  
Access Ramp 114  
Access Steps 114  
Accu-Tab Feeders 30  
Accu-Tab Tablets 2  
Acid-Rite 5, 32  
Acid & Acid Magic 5-6  
Acid Mask 95  
Acid Wash Brushes 76  
ADA Pool Lifts 109-113  
Admiral Pool Lift 110  
AFO Training 133  
Air Blower 45  
Algaecides 8  
Algatex Synergy Algaecide 8, 130  
Alkalinity Control 7  
Alkalinity Increaser 7  
Alkalinity Meter 23  
Aluminum Poles 78  
Anchor Socket 100  
Anchors, Cup 100  
Anchors, Starting Platform 117-118  
Anodes 84  
Anti-Entrapment 104-107  
Anti-Foam 11  
AntiWave Racing Lanes 120  
Aqua Buddy Pool Lift 113  
Aqua Creek Pool Lifts 109-111  
Aqua Ramp, Portable 114  
Aquatic Access Lifts 109-113  
Automatic Controllers 21-26  
Automatic Vacs/Cleaners 79-82  
AXS Lift 112

## B

Backstroke Flags 119  
Backwash Hose 77  
Ball Valve 70-71  
Basketball Games 121  
Basketball, Water 121  
Baskets, Skimmer 68-69  
Baskets, Strainer 42  
Bearings 43  
Beautec Surface Cleaner 12, 130  
BEC Sys 22-23  
Bikes 114  
Bloodborne Pathogens Kit 93  
Blue-White Flow Meter 61  
Blue-White Industries 29, 61  
Board, Spine 93, 111  
Boards, Rescue 93, 111  
Body Straps 93  
Booster Pump 41  
Bray Valves 72  
Brominating Tablets 4  
Bromine 4  
Bromine Feeder 36  
Brushes 76  
Brushes, Maintenance 76  
Bulbs, Underwater Light 124-126  
Bulk Solution Tanks 98  
Bumpers, Ladder 100, 103  
Butterfly Valve 72

## C

C Series Pump 40  
Calcium Hypochlorite 2, 3

Cantar/GLI Covers 127  
Cartridges, Filter 51  
CAT Controllers 24  
Caulk 83  
Challenger Pump 156-158  
Check Valve 75  
Chemical Feeders 27-32, 36  
Chemical Resistant Gloves 95  
Chemical Safety & Handling 95-97  
Chemical Tanks 98  
Chemicals 2-17  
Chemtrol Control Systems 25  
Chlorinated Rubber Paint 86  
Chlorinating Tablets 2-4  
Chlorinator Parts 27-32, 36, 134-138  
Chlorinator Tubing 75  
Chlorinators 27-32, 36  
Chlorine 2-4  
Chlorine Feeders 27-32, 34, 36  
Chlorine Neutralizer 7  
Chlorine Stabilizer 7, 10  
Chlorine Tablets 2-4  
ChlorKing 33-34  
Clamps, Rope 94  
Clarifiers 9-10  
Cleaners 14-17  
Climbing Walls 122  
Clocks, Pace 120  
CO2 6  
CO2 Feeders 35  
Coates Electric Heaters 58-59  
ColorQ Tester 20  
Comparator 18, 19  
Competition Equipment 119-120  
Competitor Pace Clocks 120  
Competitor Racing Lanes 119  
Concrete Patch 85  
Conditioner 7, 10  
Controllers, Chemical 21-26  
Cover, Handrail 101  
Cover, Main Drain 104-107  
Cover, Pool 127-128  
Cover Reels 128  
Cover, Thermal 128  
CPO Seminars 133  
CPR Mask 93  
Cup Anchors 100  
Cyanuric Acid 7, 10  
Cyanuric Acid Remover 10

## D

DE Filters 48-49  
DE Powder 52  
DeBug 11  
De-Chlor 7  
Deck Anchor 100  
Deck Cleaners 15  
Deck Coatings 86  
De-foamer 11  
Deck Markings 91  
Defender Filters 48-49  
Depth Markings 91  
Diatomaceous Earth 52  
Digital Testing 20  
Disables Access 109-114  
Disinfectants 2-4  
Diving Board Parts 116  
Diving Boards, Aluminum 116

Diving Boards, Fiberglass 116  
Diving Stands 116  
Dolphin Robotic Cleaners 79-82  
Drain Covers 104-107  
Drain Grates 104-107  
Drains, Pool 104-107  
Drum Tools 2, 97  
Dry Chemical Feeders 30-32, 36  
Durafirm Stands 116  
Duraflex Diving Boards 116  
Dychlor 3

## E

Easy Care Brand 8, 9, 10, 130, 131  
Educational Seminars 133  
Energy Efficient Pumps 37-41  
Enzymes 10  
Epoxy Coatings 87  
Epoxy Primers 87  
Epoxy Putty 83  
EQ Series Pump 37  
Equipment Pad 60  
Escutcheons 100, 103  
Eureka Drain Grates & Covers 104  
Exercise Equipment 114  
Eyewash Station 96

## F

Feeder Parts 27-29, 32, 36, 134-138  
Feeders, Chemical 27-32, 36  
Feeders, Chlorine 27-32, 34, 36  
Fencing 103  
Fiberglass Grating 104  
Fiberglass Strainers 42  
Filter, Cartridge 51  
Filter, Fiberglass 46-51  
Filter, Sand 46-47  
Filter Cartridges 53  
Filter Cleaners 17  
Filter Elements 53  
Filter Flosser 17, 53  
Filter Media 52  
Filter Parts 46-53, 142-145  
Filter Sand 52  
Filter Valves 50, 139-141  
Filter Valve Parts 50, 139-141  
Filters 46-51  
First Aid Kit 93  
Fittings 73-74  
Fittings, Inlet/Return 67  
Flags, Backstroke 119  
Flange, PVC 72  
Flexflo Peristaltic Injector 29  
Floatkeepers 94  
Floats 94  
FlowVis Flow Meters 61  
Flow Indicators 36, 61-62  
Flow Meters 61-62

## G

Games, Basketball & Volleyball 121  
Gas Mask 95  
Gauges, Pressure 64  
Gauges, Vacuum 64  
Glass Filter Media 52  
GLB Pool Chemicals 4, 8, 9, 12, 14, 17  
Glove, Chemical 95  
Go-Kits 43

Grab Rails 99, 102-103  
Grates, Drain 104-107  
Grating 104-107  
Guard Chairs 115

## H

Hammerhead Pool Cleaner 78  
Handicap Access & Lift 109-113  
Handrail & Accessories 99-103  
Handrails 99-103  
Handrails Covers 101  
Hardness Increaser 7  
Hayward Commercial Heaters 55  
Hayward Commercial Pumps 39  
Hayward Skimmers 67-69  
Head Immobilizer 93  
Heater Parts 161-166  
Heaters, Pool 54-60  
Heaters & Accessories 54-60  
Heatsavr Liquid Pool Cover 60, 128  
Heaving Lines 92  
Hi-Rate Sand Filter 46-47  
Hook, Pole 78  
Hook, Ring Buoy 92  
Hook, Rope 94  
Hook, Safety 92, 107  
Horizontal Sand Filter 47  
Hose, Vacuum 77  
Hose, Backwash 77  
Hose, Discharge 77  
Hydrochloric Acid 5

## I

Immobilizer, Head 93  
Inlet Fittings 67  
Insta-Test Strips 19  
IntelliChem 26  
IntelliChlor 34  
IntelliFlo Pump 38

## J

J Series Pump 41  
Jandy Blower 45  
Jandy Heaters 56  
Junction Box 126

## K

Kelley Olympic Pool Paint 86-87

## L

Ladder Bumpers 100, 103  
Ladder Treads 101, 103  
Ladders 99, 102  
Ladders & Accessories 99-103  
LaMotte Test Kits 19-20  
LaMotte Testing Supplies 19-20  
Lane Lines & Reels 119-120  
Lawson SuperFlow 104  
Leaf Rake 76  
Leaf Skimmer 76  
Lenses, Pool Light 159-160  
Levelor Water Level Control 65  
Life Hook 92  
Life Ring Cabinet 92  
Life Rings 92  
Lifeguard Chairs 115  
Lifeguard Equipment 92-93  
Lifeguard Stands 115  
Lifts, Pool Access 109-113  
Light Bulbs 126

Light Parts 125-126, 159-160  
 Lights & Accessories 124-126  
 Liquid Chlorine 2  
 Liquid Feed Pumps 27-29

## M

Magic Lube 83  
 Magmeters 62  
 Main Drains & Covers 104-107  
 Maintenance Supplies 83-84  
 Metal & Mineral Filters 13  
 Metering Pumps 10, 27-29  
 Meters, Testing 18-20  
 Mighty Lifts 110  
 Mighty Voyager Portable Lift 109  
 Mobile Aquatic Chair 114  
 Motor Seals 43  
 Motors 44  
 Multi-Lift 112  
 Multiport Valves 50  
 Muriatic Acid 5

## N

Non-Chlorine Shock 4

## O

Oh Yuk! 16  
 Olympic Pool Coatings 86-87  
 ORP Tester 20  
 Oxidizers 2-4

## P

Pace Clocks 120  
 Paint 86-87  
 PAL Portable Aquatic Lift 112  
 Part Breakdowns 134-166  
 Patching 83, 85  
 Patio Tones 86  
 Pentair Pool Heaters 56-57  
 Pentair Pool Pumps 37-40  
 Peristaltic Pumps 27-29  
 Perlite DE Substitute 52  
 Personal Protective Equipment 95  
 pH Control 5-6  
 pH Meter 20  
 Pipe, PVC 70  
 Phosphate Remover 8  
 Platform, Swim Training 114  
 Play Features 122  
 Plumbing 70-75  
 Pole Hangers 78  
 Poles 78  
 PoolTech 3-in-1 Water Treatment 9  
 PoolTec-Winter 9, 131  
 Pool Check Strips 19  
 Pool Cleaners, Automatic 79-82  
 Pool Cover, Liquid 60, 128  
 Pool Covers 127-128  
 Pool Shot Water Basketball 121  
 Pool Signs 89-90  
 Pool Stone 14  
 PPG Tablets 2  
 Pressure Gauges 64  
 Primers, Epoxy 87  
 Probes 21-26  
 Protective Coatings 86-87  
 Pulsar 2  
 Pump Motors 44  
 Pump Parts 43-44, 146-158  
 Pump Seals & Kits 43

Pump Strainers 42  
 Pumps 37-41  
 Pumps, Metering 10, 27-29  
 PVC, Glue, Primer, Fittings 70-75

## R

Racing 117-120  
 Racing Lane Storage 119-120  
 Racing Lanes & Reels 119-120  
 Rails, Stainless Steel 99  
 Rakes, Leaf 76  
 Ramp, Portable 114  
 Ranger 2 Lift 109  
 Raypak Heaters 54-55, 57-58, 161-166  
 Reagents 18-20  
 Recessed Steps 101  
 Reel, Pool Cover 128  
 Reel, Racing Lane Storage 119-120  
 Reel System for Covers 128  
 Regenerative Media Filters 48-49  
 Renovation 129  
 Rescue Boards 93  
 Rescue Can 92  
 Rescue Equipment 92-93  
 Rescue Tubes 92  
 Ring Buoy Wall Hook 92  
 Ring Buoys 92  
 Rock Solid Anchor 117  
 Rola-Chem 21, 27, 61, 136  
 Rola-Chem Feeder 27  
 Rola-Chem Flow Meter 61  
 Rope 94  
 Rope Clamp 94  
 Rope Floats 94  
 Rope Hook 94  
 Rubber Based Coatings 86  
 Rust-B-Gone 13

## S

Safety Covers 127  
 Safety Equipment 92-94  
 Safety Pads 122  
 Safety Pool Hook 92  
 Safety Throw 92  
 Safety Vacuum Release (SVRS) 108  
 Safety-Grip Handrail Covers 101  
 Safron 102-103  
 Salt Chlorine Generators 34  
 Sand 52  
 Sand Filter, Hi-Rate 46-47  
 Sand Filters 46-47  
 Sanitizers & Oxidizers 2-4  
 Sauna Accessories 66  
 Scale 97  
 Scout Excel Lift 109  
 Sensor Probes, Chemtrol 25  
 Sensors, ORP/pH/PPM 21-26  
 Sequa-Sol 12  
 Sequesterants 12-13  
 Service and Renovation 129  
 Shock 2-4  
 Sight Glasses 67, 71  
 Signet Flow Meters 62  
 Signs 89-90  
 Skimmer, Leaf 76  
 Skimmer Weirs 67  
 Skimmers & Accessories 67-69  
 Slide Maintenance 88

Soda Ash 5  
 Sodium Hypochlorite 2  
 Solar Covers 60, 128  
 Solenoid Valve 35  
 Solution Tanks 98  
 Spa Blower 45  
 Spa Timers 66  
 Spa Vacuums 79  
 Spectrum Aquatics 113, 118  
 Spider Gasket 50, 139-144  
 Spill Containments 96  
 Spine Boards 93, 111  
 Splash & Slam Basketball 121  
 Splash! Lift 112  
 Spring Opening 130  
 Stabilizer/Conditioner 7, 10  
 Stainless Steel Cleaner 16  
 Stain Control & Removal 12-13  
 Stair Rails 99, 102-103  
 Stairs & Ramps 114  
 Stanchion 100  
 Stanchion Posts 100  
 Stanchion Sockets 100  
 Startup-Tec 10  
 Start-Up 130  
 Starting Blocks 117-118  
 Starting Platforms 117-118  
 Stenner 28, 138  
 Stenner Peristaltic Pumps 28, 138  
 Steps 101, 103, 114  
 Steps, Access 114  
 Steps, Recessed 101  
 Strainer Basket 42  
 Strainers 42  
 Suction Covers 104-107  
 Suction Outlets 104-107  
 Suitmate 66  
 Sulfuric Acid 6  
 Super Convoy Coating 86  
 SuperFlo Pump 39  
 Supertensioner 120  
 Surface Cleaners 14-16  
 Swim Lift 109-113  
 Swim Lift, Handicap 109-113  
 Swim N' Dunk Basketball 121  
 Swim N' Spike Volleyball 121  
 Swim Suit Extractor 66  
 System 3 Filtration 48, 51

## T

Tablets, Testing 19-20  
 Tanks, Solution 98  
 Taylor Testing Supplies 18  
 TDS Meters 20  
 Teaching Platform 114  
 Test Kits 18-20  
 Test Meters 20  
 Test Strips 19  
 Thermal Covers 128  
 Thermometer, In-Line 63  
 Thermometer, Pool 63  
 Thermometer, Skimmer 63  
 Thermometers 63  
 Tile 85, 91  
 Timers 66  
 Timers, Pace Clocks 120  
 Timers, Spa 66  
 TLC 14

Towers, Diving 116  
 Training, Platform 114  
 Training Equipment 114  
 Training Seminars 133  
 Treads, Ladder 101, 103  
 Tri-Chlor 3  
 Tri-Chlor Feeders 36  
 Tri-Sodium Phosphate 15  
 Tubing 75  
 Tubing, Chlorinator 75

## U

U-3 Skimmer 67  
 Ultra-Violet Disinfection 33

## V

Vacuum, Pool 77-82  
 Vacuum Gauges 64  
 Vacuum Hose 77  
 Vacuum Poles 78  
 Vacuum Hose Hook 78  
 Vacuum, Automatic Cleaners 79-82  
 Valve, Ball 70-71  
 Valve, Butterfly 72  
 Valve, Multiport 50  
 Valve, Solenoid 35  
 Valves, Ball/Butterfly/Check 70-72, 75  
 Valves, Filter Multiport 50  
 Variable Frequency Drive 42  
 Variable Speed Pumps 38-39  
 VFD 42  
 VGB Act Compliance 104-107  
 Volleyball, Water 121  
 Volleyball Games 121

## W

Water Balancers 5-7  
 Water Extractor 66  
 Water Features 122  
 Water Level Controller 65  
 Waterslide Maintenance 88  
 Waterslide Mats 122  
 Wave Vacuums 80-82  
 Weirs 67  
 Wheelchairs 114  
 WhisperFlo Pump 38-39  
 Winter Covers 127  
 Winterizing 131  
 Winterizing & Supplies 131  
 Wysiwash 15

**HORIZON COMMERCIAL POOLS - ST. PAUL & MINNEAPOLIS AREA OFFICE**  
4444 Round Lake Road West, Arden Hills, MN 55112

**HORIZON COMMERCIAL POOLS - MILWAUKEE AREA OFFICE**  
12900 West Silver Spring Drive, Butler, WI 53007

**HORIZON COMMERCIAL POOLS - GREEN BAY AREA OFFICE**  
2009 Enterprise Drive, De Pere, WI 54115



Can't find it? Give us a call.  
Consultants available to answer your questions.

**St. Paul & Minneapolis Area Office**  
**651.917.3075**

**Milwaukee Area Office**  
**262.783.6040**

**Green Bay Area Office**  
**920.687.8351**

