

Accu-Tab[®] System Chlorinators by Axiall LLC

Instruction Manual for 3000 Series Chlorinators

For Models 3008C/3012
3075
3150
3500

For Models 3012
3075
3150
3530



STANDARD 50

Axiall Chlorinators are NSF-Listed for pool and spa applications ONLY when Axiall Accu-Tab[®] Blue or Blue SI Tablets for commercial pool applications are used.

Use of other tablets will void NSF Certification.



STANDARD 61

For ANSI/NSF-Standard 61 applications use ANSI/NSF Standard 60 listed Axiall Accu-Tab[®] SI Tablets and limit to no more than 15 mg/l of tablet addition (or 10 mg/l chlorine) to the treated drinking water.

DANGER:

DO NOT MIX CHEMICALS!

The Accu-Tab[®] chlorinators are designed for use with Axiall approved tablets only.

Do not use Cal-Hypo tablets with stabilized chlorine or bromine products, or other sanitizing chemicals.

Fire or explosion could result.

Revised 12-22-14

Installation – Suction return – Pool Applications

The following installation instructions are for **Figure 1 only**. Other installations are similar and may require more or less equipment. (NOTE: Model 3500 CANNOT be installed in suction return applications.)

Using the existing circulation pump – Pump must have vacuum on the suction side. – Figure 1.

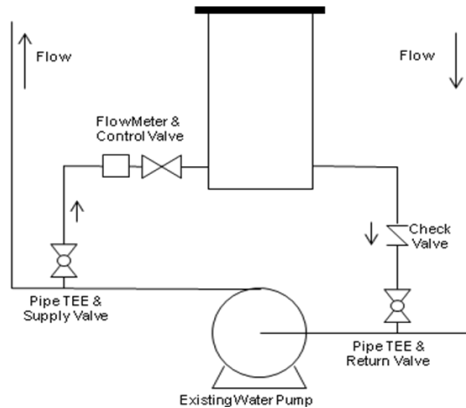
1. Locate the chlorinator near the pump.
2. Turn off the pump and stop water flow in preparation for cutting the pipe.
3. Install two pipe TEES as shown in Fig. 1.
4. Install service valves on the supply and return lines to isolate the chlorinator.
5. Using PVC pipe (or flex hose) and appropriate fittings, including a control valve and flow meter, connect the supply line to the chlorinator.
6. Connect the return line in the same manner.

7. Pipe sizes as follows:

Model	Inlet	Outlet
3008C/3012	3/4"	1 1/2"
3075	1"	2"
3150/3500	1 1/2"	3"

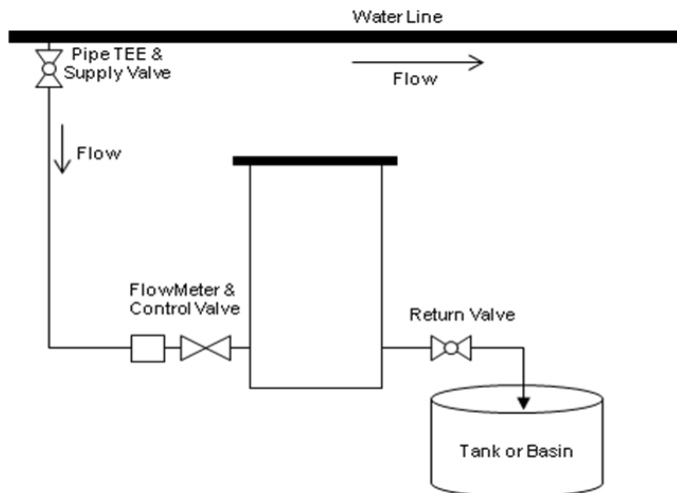
8. Restart the pump, open the return service valve FIRST, then open the supply service valve and control valve to establish flow through the chlorinator. Check for leaks.
9. Make sure the sieve plate is in its proper position, resting in the groove.
10. Installation is now complete.

NOTE: For NSF Std 50 applications, an appropriately sized control valve having a minimum of 4 positions and a flow meter must be installed on the chlorinator inlet supply line.



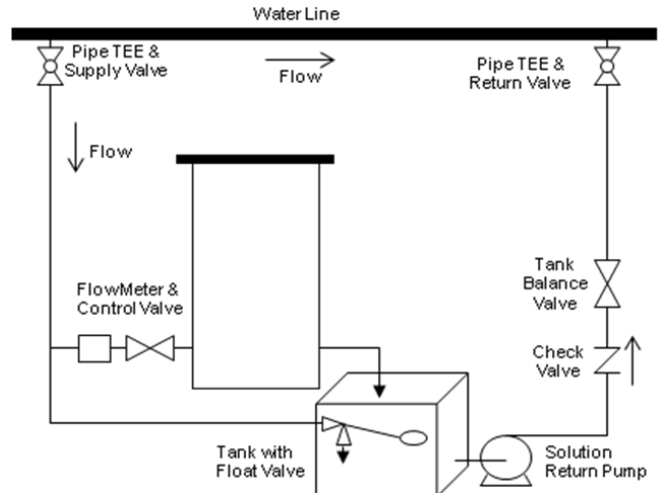
Installation – Atmospheric Return

Figure 2. Include a return valve to allow easier cleaning.



Installation – Pressure Return

Figure 3. Include a pump and check valve, Pump should be capable of required water flow through the chlorinator at the required system pressure. Models 3150 & 3500 require a 2" supply line.



Operation

To refill the chlorinator

1. Isolate the chlorinator. **Important:** Close the supply valve BEFORE closing the return valve to prevent over-pressurization of the chlorinator.
2. Open the vacuum relief valve (Models 3075 & 3150) to relieve vacuum.
3. Remove the lid. (Be careful not to inhale fumes.)
4. Fill the chlorinator with Axiall LLC Accu-Tab® Tablets.
5. Replace the lid, making sure the surfaces are clean and the O-ring is seated. (Models 3008C, 3012, 3075 & 3150. Use silicone based oil ONLY for lubrication.)
6. Close the vacuum relief valve.
7. Open the return valve first, then the supply valve.

To operate the chlorinator

1. Start flow through the chlorinator. **Important:** Open the outlet valve BEFORE opening the inlet valve to prevent over-pressurization of the chlorinator.
2. Adjust the control valve to the desired setting. Check Available Chlorine regularly to determine the best setting.
3. Adjust the control valve and refill the chlorinator as needed to maintain chlorine levels.

Note: When pool circulation stops, flow to the chlorinator will stop. This will stop chlorine delivery.

Cleaning

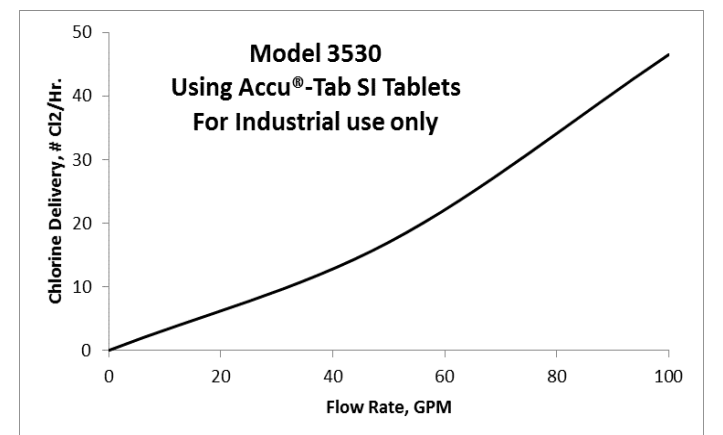
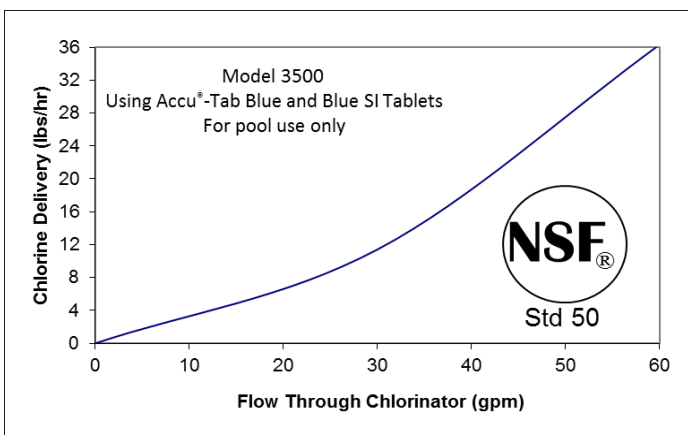
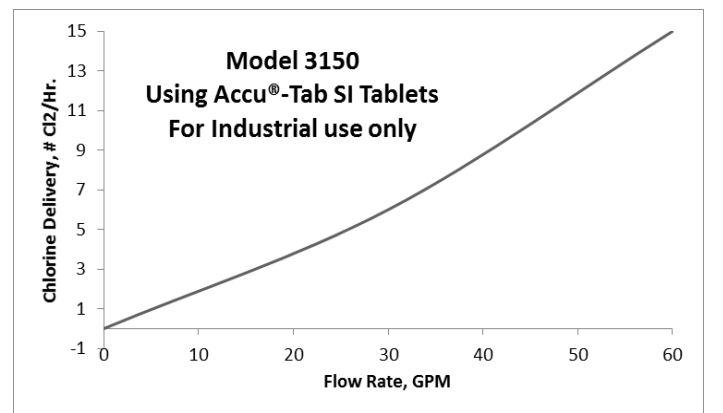
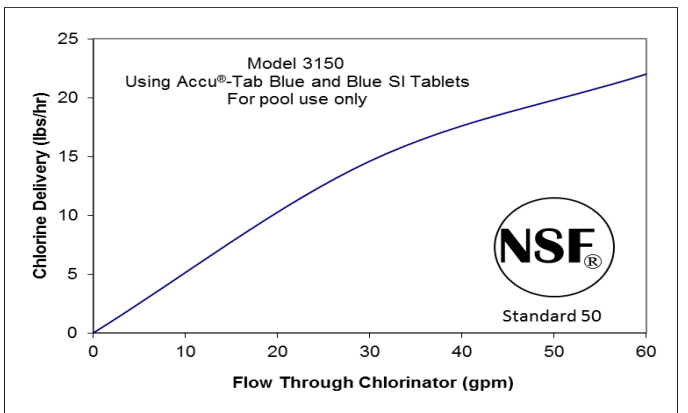
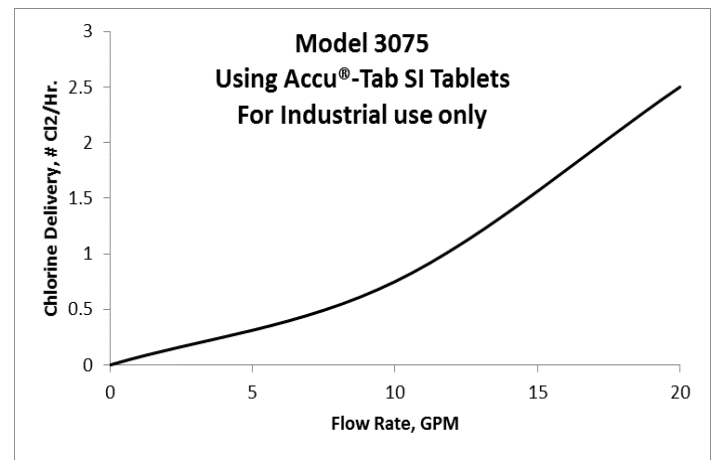
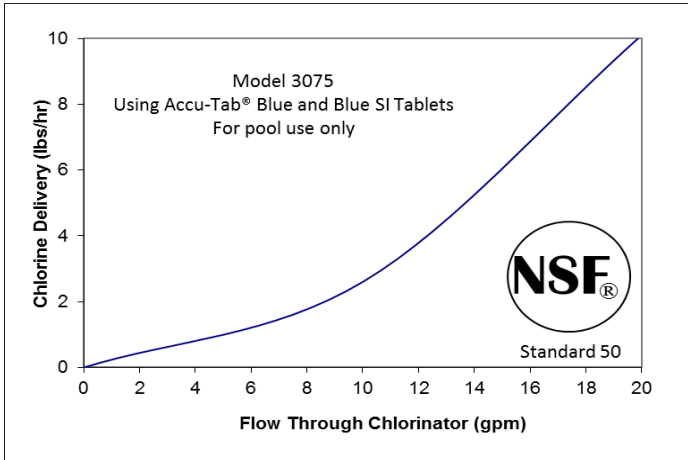
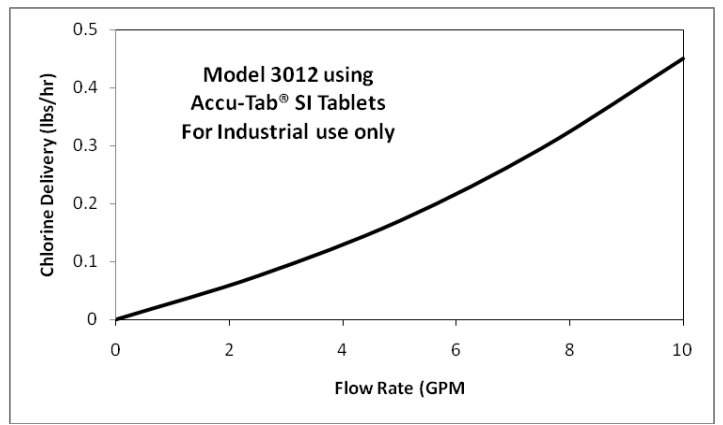
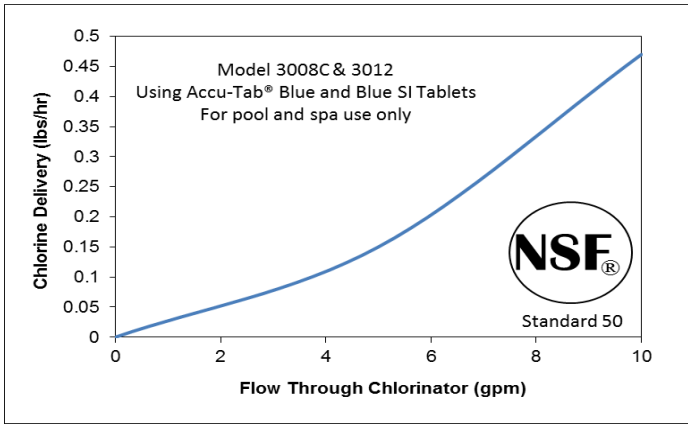
The chlorinator should be cleaned twice per year to remove any residual product that may accumulate inside the unit. Cleaning may be accomplished by soaking in a dilute acid solution. Addition of muriatic acid will lower the pH of the water. Be prepared to add a suitable pH increaser after cleaning is complete.

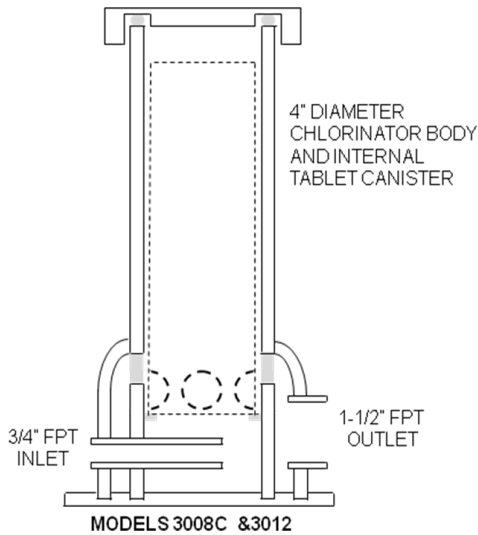
Preparation for cleaning:

1. Have 2 gallons (24 fl. oz. for 3008C & 3012) of muriatic acid ready to add to the chlorinator. Wear rubber gloves and rinse all equipment thoroughly when finished.
2. Have a clean, empty container for storage of any tablets inside the chlorinator.
3. Always use appropriate safety equipment while servicing the chlorinator or handling chemicals.

To clean the chlorinator while installed:

1. Isolate the chlorinator from the system by closing both the return and supply valves.
2. Remove the lid and remove all the tablets from the chlorinator. Temporarily place these tablets in the clean, empty container.
3. Rinse the chlorinator with water and (with the lid removed) open the return valve temporarily to drain the chlorinator.
4. Close the return valve and repeat step number 3.
5. Close the return valve and fill the chlorinator with water so there is about one inch of water above the sieve plate. Using rubber gloves and other safety protection, carefully pour the muriatic acid into the chlorinator including the walls of the chlorinator. **ALWAYS ADD ACID TO WATER, NEVER ADD WATER TO ACID.** Leave the lid removed and do not breathe any fumes. Let soak for 30 minutes.
6. After 30 minutes, open the return valve. Open the supply valve and flush the chlorinator for 30 minutes at 10-20 gpm (5 gpm on Models 3008C & 3012).
7. After 30 minutes of flushing, isolate the chlorinator and rinse the walls with water. Drain the chlorinator by temporarily opening the return valve. Rinse a second time and drain.
8. For models 3008C and 3012, rinse off the tablet canister and soak in muriatic acid to remove any residue, making sure all the holes are open. Rinse well with water when finished.
9. Cleaning is now complete.

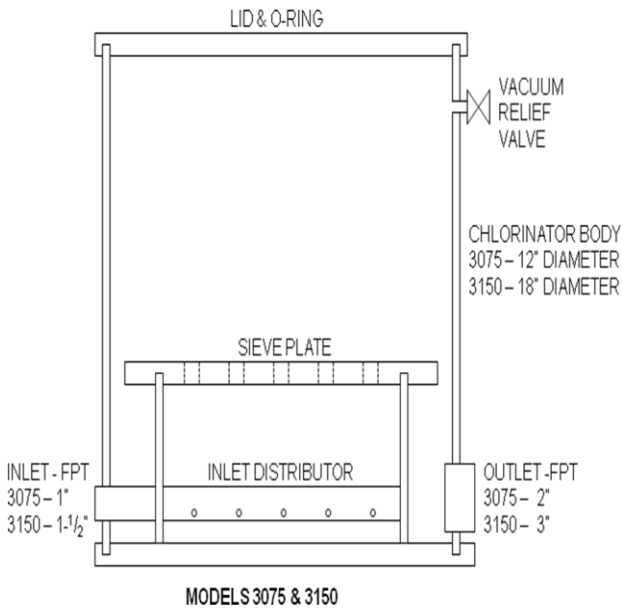




Parts List Models 3008C & 3012

1. Chlorinator Body	#3008C - 1 #3012 - 1
2. Tablet Canister	#3008C - 2 #3012 - 2
3. Lid and O-Ring	#3012 - 3

WARNING: Do Not Exceed 30 PSI.



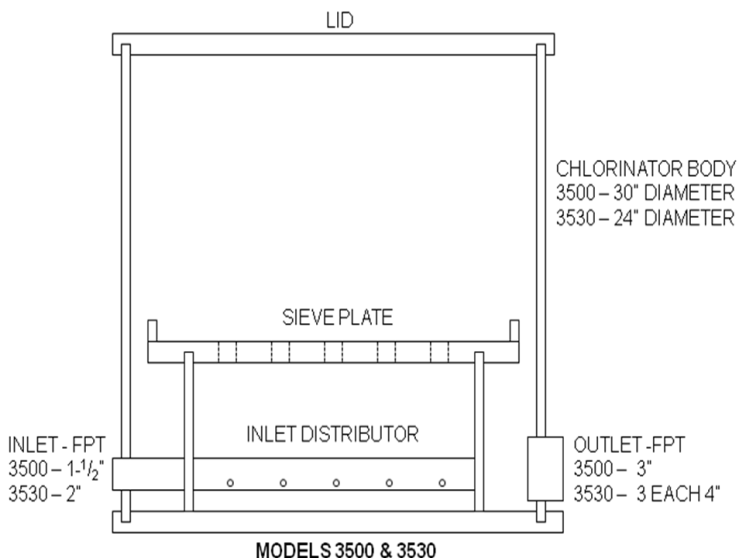
Parts List Models 3075 & 3150

1. Chlorinator Body	#3075 - 1 #3150 - 1
2. Lid & O-Ring	#3075 - 2 #3150 - 2
3. Sieve Plate	#3075 - 3 #3150 - 3
4. Vacuum Relief Valve	#3075 - 4

Chlorinator not designed to hold pressure.

WARNING: DO NOT PRESSURIZE

CAUTION: Lid acts as pressure relief. Do not place objects on lid or secure lid in any other way.



Parts List Models 3500 & 3530

1. Chlorinator Body	#3500 - 1 #3530 - 1
2. Lid	#3500 - 2 #3530 - 2
3. Sieve Plate	#3500 - 3 #3530 - 3

Chlorinator not designed to hold pressure.

WARNING: DO NOT PRESSURIZE

CAUTION: Lid acts as pressure relief. Do not place objects on lid or secure lid in any other way.

SERIES 3000 LIMITED LIFETIME WARRANTY

Axiall LLC ("Axiall") warrants (subject to the below conditions) the mechanical integrity of its Series 3000 chlorinators for the entire time the chlorinator remains in its original installation. THIS IS THE ONLY REPRESENTATION OR EXPRESS WARRANTY THAT PPG MAKES AND ALL OTHER EXPRESS WARRANTIES UNDER STATUTE OR ARISING OTHERWISE IN LAW FROM A COURSE OF DEALING OR USAGE OF TRADE WITH RESPECT TO THE CHLORINATORS ARE DISCLAIMED. ANY IMPLIED WARRANTIES EXISTING AS A MATTER OF LAW SHALL NOT EXCEED THE DURATION OF THIS LIMITED WARRANTY. IN THE EVENT A CHLORINATOR FAILS TO CONFORM TO THIS WARRANTY, AXIALL'S EXCLUSIVE OBLIGATION AND YOUR EXCLUSIVE REMEDY SHALL BE LIMITED TO, AT PPG'S OPTION, THE FURNISHING OF NEEDED REPLACEMENT PARTS OR THE FURNISHING OF A NEW CHLORINATOR (BUT THIS DOES NOT INCLUDE INSTALLATION OR THE COSTS FOR INSTALLATION). EXCEPT AS PROVIDED IN THE IMMEDIATELY PRECEDING SENTENCE, IN NO EVENT WILL PPG BE LIABLE UNDER ANY THEORY OF RECOVERY (WHETHER BASED ON NEGLIGENCE OF ANY KIND, STRICT LIABILITY OR TORT) FOR ANY DIRECT, INDIRECT, SPECIAL, INCIDENTAL, PUNITIVE, OR CONSEQUENTIAL DAMAGES IN ANY WAY RELATED TO ANY USE MADE OF THE CHLORINATOR.

Warranty Conditions. This Limited Lifetime Warranty shall apply and be effective only if:

- (i) The Axiall Chlorinator Warranty Registration information has been completed within thirty (30) days of the customer's receipt of the chlorinator via the Internet at www.accu-tab.com under "Equipment Warranty";
- (ii) the chlorinator is installed and operated and maintained in accordance with this manual and the instructions accompanying the chlorinator;
- (iii) only Axiall's Accu-Tab® calcium hypochlorite tablets are used in the Chlorinator. If any of these conditions are not met, this Limited Lifetime Warranty will not apply and you acknowledge and agree that your purchase of

the Chlorinator will be on an "AS-IS" basis without any warranty of any kind whatsoever having been provided by Axiall.

You assume all responsibility and risk and liability arising from: (i) the unloading, installation, storage, handling and use of the chlorinator, including use thereof alone or in combination with other materials; (ii) the improper functioning or failure of unloading, installation, transportation or storage equipment you use, whether furnished or recommended by Axiall or not; and, (iii) the failure to comply with laws, rules and regulations governing storage, unloading, installation, handling, and use of the chlorinator. You will indemnify, hold harmless, and defend Axiall from and against any claim, suit, damage, cost, expense, fine, liability, or cause of action whatsoever, including reasonable attorney fees, on account of relating to, or arising out of the use, possession, installation or resale of the chlorinator.

This Limited Lifetime Warranty gives you specific rights, and you also may have other rights, which vary from jurisdiction to jurisdiction. Some jurisdictions do not allow the exclusion or limitation of incidental or consequential damages, so the above limitations or exclusions may not apply to you. Some jurisdictions do not allow limitations on how long an implied warranty lasts, so the above limitation may not apply to you.

To obtain service on this warranty, please contact the distributor from whom you received your Accu-Tab®. If for any reason you are not completely satisfied with the results, write to:

Axiall LLC
Accu-Tab® Customer Service
11 Stanwix Street
Suite 19
Pittsburgh, PA 15222
Phone 1-800-245-2974
www.accu-tab.com