

POWERMAX[®]

High Performance Commercial Pool Heaters

When performance is critical, the PowerMax heater provides peak efficiency and easy maintenance in both indoor and outdoor applications. Models range from 500–2000 MBTU/h with 85% efficiency for commercial swimming pool and theme park applications.

Today's PowerMax heater is the result of over 50 years of design and manufacturing experience and is packed with advanced features specific to the commercial swimming pool and water theme park market.



Available in seven sizes from 500 to 2000 MBTU/h, the PowerMax heater runs reliably on natural or LP gas and delivers efficiency levels up to 85%.

A 10-tube heat exchanger uses finned tubing for the quickest and most efficient heat transfer, and the water heater meets the ASHRAE 90.1 standard for efficiency for use with storage tanks. With superior overall construction and high-efficiency combustion, the PowerMax heater can cut fuel costs significantly compared to conventional water-heating systems, and the energy savings can be substantial over the life of the equipment.

Standard Features

- Reliable operation with natural or propane gas.
- Fan-assisted and filtered combustion air.
- Dual-ignition systems for all models over 750,000 BTU.
- Digital touch screen controls standard.
- Immune to thermal shock down to 30° F.
- Built-in automatic mixing system reduces condensation possibilities.
- Compact size allows the PowerMax heater to fit through standard doorways.
- 200/208 and 575 volt models available on request.
- Meets low NOx requirements for cleaner combustion.
- Indoor/Outdoor installation same SKU.
- One-year limited warranty. See warranty for details.

POWERMAX[®]

High Performance Commercial Pool Heaters

Dimensional Data Dimensions shown in inches, cm.

| Size (000s) | A | | B | | C | | D | | E | | F | | G | | H | | Air Conn. W* | | Vent Conn. V* | | Horiz. Vent Pipe | |
|-------------|-----|-----|-----|-----|-----|----|-----|----|-----|----|----|----|----|----|-----|-----|--------------|----|---------------|----|------------------|----|
| 500 | 33½ | 85 | 15¾ | 40 | 5¾ | 15 | 29¾ | 76 | 32¾ | 83 | 7¾ | 20 | 8¾ | 22 | 46 | 117 | 6 | 15 | 8 | 20 | 6 | 15 |
| 750 | 45½ | 116 | 21¾ | 55 | 5¾ | 15 | 29¾ | 76 | 32¾ | 83 | 7¾ | 20 | 8¾ | 22 | 58 | 147 | 8 | 20 | 10 | 25 | 8 | 20 |
| 1,000 | 57½ | 146 | 28¾ | 73 | 5¾ | 15 | 29¾ | 76 | 32¾ | 83 | 7¾ | 20 | 7 | 18 | 70 | 178 | 8 | 20 | 10 | 25 | 8 | 20 |
| 1,250 | 68 | 172 | 34 | 86 | 10¼ | 26 | 30¾ | 78 | 29½ | 75 | 8¾ | 22 | 8¾ | 22 | 80 | 203 | 12 | 30 | 12 | 30 | 10 | 25 |
| 1,500 | 78½ | 199 | 39¾ | 101 | 10¼ | 26 | 30¾ | 78 | 29½ | 75 | 8¾ | 22 | 8¾ | 22 | 91 | 231 | 12 | 30 | 12 | 30 | 10 | 25 |
| 1,750 | 89 | 226 | 44½ | 113 | 10¼ | 26 | 30¾ | 78 | 29½ | 75 | 8¾ | 22 | 8¾ | 22 | 101 | 256 | 12 | 30 | 14 | 36 | 12 | 30 |
| 2,000 | 99½ | 253 | 49¾ | 126 | 10¼ | 26 | 30¾ | 78 | 29½ | 75 | 8¾ | 22 | 8¾ | 22 | 112 | 284 | 12 | 30 | 14 | 36 | 12 | 30 |

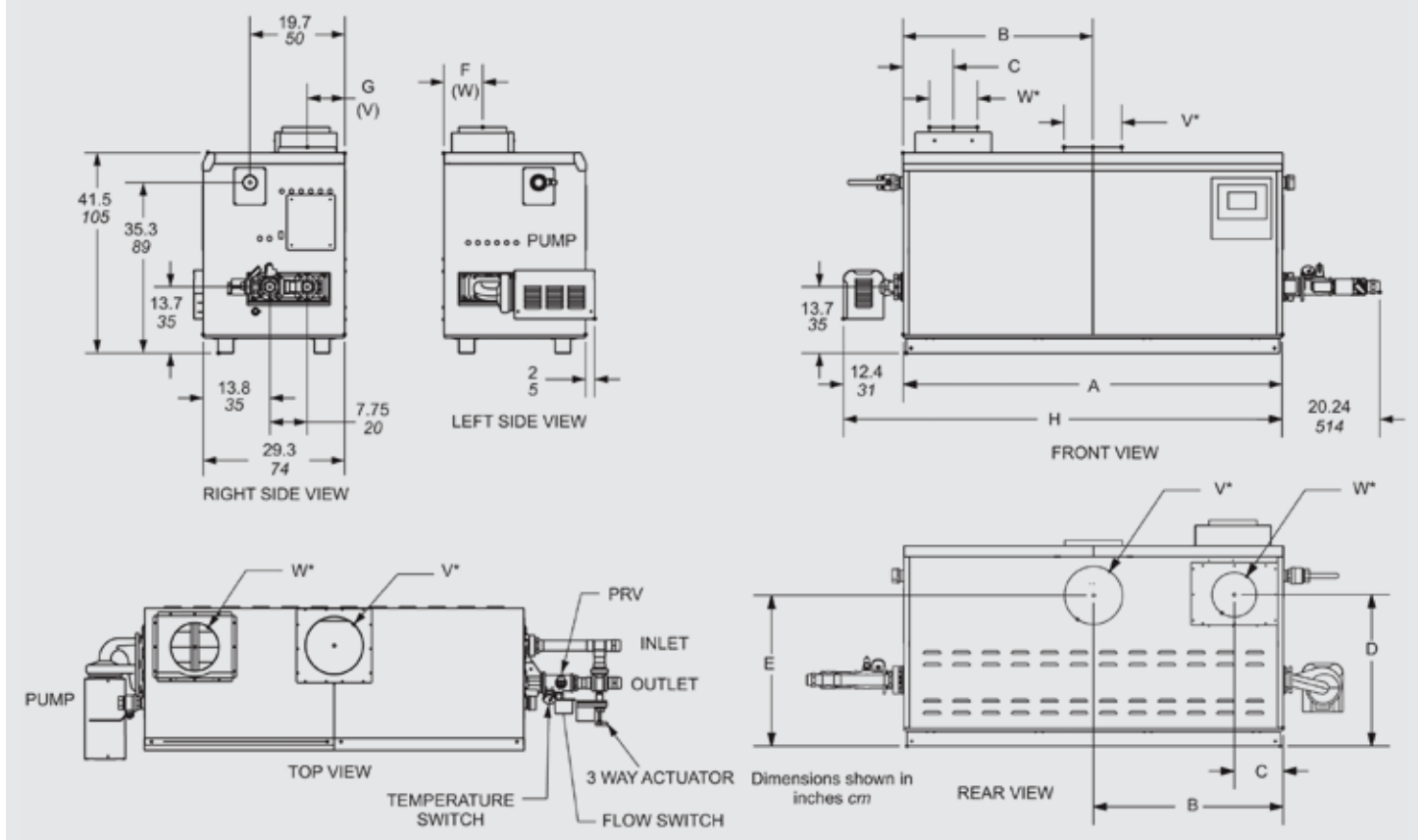
*Air and vent connections may be on top or back of the PowerMax heater and are field convertible.

Sizing Data

| Indoor Model | Input, BTU/h x1000 | Output, BTU/h x1000 | Gas Conn. Size (inches ₂) | Heater Water Conn. Size (inches ₂) | Mixing System Water Conn. Size (inches ₂) | Shipping Weight | |
|--------------|--------------------|---------------------|---------------------------------------|--|---|-----------------|-----|
| | | | | | | lbs. | kg |
| 500 | 500 | 425 | 1¼ | 2 | 2 | 495 | 225 |
| 750 | 750 | 638 | 1¼ | 2 | 2 | 575 | 261 |
| 1,000 | 999 | 849 | 1½ | 2½ | 2 | 685 | 311 |
| 1,250 | 1,250 | 1,063 | 2 | 2½ | 2 | 730 | 331 |
| 1,500 | 1,500 | 1,275 | 2 | 2½ | 2 | 830 | 377 |
| 1,750 | 1,750 | 1,488 | 2 | 2½ | 2 | 880 | 400 |
| 2,000 | 1,999 | 1,699 | 2 | 2½ | 2 | 1,025 | 465 |

NOTES: 1. Input and output must be derated 2% per 1,000 feet above sea level when installed above 2,000 feet altitude.
2. Dimensions are nominal.

Dimensional and Sizing Data



Sizing Charts and Clearance Data

For Indoor Pools

1. Calculate the surface area of the pool in square feet.
2. Refer to the selection chart.
3. Find the closest square footage in the 10° F (6° C) Temperature Difference table and the heater model that corresponds to it. For normal conditions, we recommend using the 10° F (6° C) Temperature Difference columns; this will provide a temperature increase of approximately 6° F (3° C) per 24-hour period.

For Outdoor Pools

1. Determine the difference between the desired pool temperature and the average air temperature during the coldest month in which the pool will be used (see the Temperature Difference table below).
2. Calculate the surface area of the pool.
3. Refer to the selection chart. Listed are the maximum pool surface areas for each heater model with typical temperature differences. Make the appropriate selection from the chart.

Temperature Difference

| | 10° F | 6° C | 15° F | 8° C | 20° F | 11° C | 25° F | 14° C | 30° F | 17° C | 35° F | 19° C | 40° F | 22° C | 45° F | 25° C | 50° F | 28° C |
|-------|----------------------|--------|---------|--------|---------|--------|---------|--------|---------|--------|---------|--------|---------|--------|---------|--------|---------|--------|
| | Surface Area of Pool | | | | | | | | | | | | | | | | | |
| Model | Sq. Ft. | Sq. M. | Sq. Ft. | Sq. M. | Sq. Ft. | Sq. M. | Sq. Ft. | Sq. M. | Sq. Ft. | Sq. M. | Sq. Ft. | Sq. M. | Sq. Ft. | Sq. M. | Sq. Ft. | Sq. M. | Sq. Ft. | Sq. M. |
| 500 | 4,090 | 370 | 2,720 | 250 | 2,040 | 180 | 1,630 | 150 | 1,360 | 120 | 1,170 | 100 | 1,020 | 90 | 910 | 80 | 810 | 70 |
| 750 | 6,130 | 560 | 4,090 | 370 | 3,060 | 280 | 2,450 | 220 | 2,040 | 180 | 1,750 | 160 | 1,530 | 140 | 1,360 | 120 | 1,220 | 110 |
| 1,000 | 8,180 | 750 | 5,450 | 500 | 4,090 | 370 | 3,270 | 300 | 2,720 | 250 | 2,340 | 210 | 2,040 | 180 | 1,820 | 160 | 1,630 | 150 |
| 1,250 | 10,230 | 950 | 6,820 | 630 | 5,110 | 470 | 4,090 | 370 | 3,410 | 310 | 2,920 | 270 | 2,550 | 230 | 2,280 | 210 | 2,040 | 180 |
| 1,500 | 12,270 | 1,130 | 8,180 | 750 | 6,130 | 560 | 4,910 | 450 | 4,090 | 370 | 3,510 | 320 | 3,060 | 280 | 2,730 | 250 | 2,450 | 220 |
| 1,750 | 14,320 | 1,330 | 9,540 | 880 | 7,160 | 660 | 5,720 | 530 | 4,770 | 440 | 4,090 | 370 | 3,580 | 330 | 3,190 | 290 | 2,860 | 260 |
| 2,000 | 16,370 | 1,520 | 10,910 | 1,010 | 8,180 | 750 | 6,540 | 600 | 5,450 | 500 | 4,680 | 430 | 4,090 | 370 | 3,650 | 330 | 3,270 | 300 |

Clearances

| Appliance Surface | Clearance From Combustible Material | | Service Access Clearance | |
|-------------------|-------------------------------------|--------|--------------------------|-------|
| Right Side | 1" | 2.5 cm | 24" | 61 cm |
| Left Side | 1" | 2.5 cm | 24" | 61 cm |
| Front | 1" | 2.5 cm | 36" | 91 cm |

| Appliance Surface | Clearance From Combustible Material | | Service Access Clearance | |
|-------------------|--|--------|--------------------------|-------|
| Top | 1" | 2.5 cm | 12" | 30 cm |
| Back* | 1" | 2.5 cm | 12" | 30 cm |
| Vent | Per venting system supplier's instructions | | | |

*When vent and/or air is connected to the back, 36" (91 cm) is suggested.

Part Numbers Descriptions

| | |
|----------------|--|
| PM0500NACC3BXN | Indoor/Outdoor, w/pump, Cat. I-III, with elec. Bypass, CI-Cu HX |
| PM0750NACC3BXN | Indoor/Outdoor, w/pump, Cat. I-III, with elec. Bypass, CI-Cu HX |
| PM1000NACC3BXN | Indoor/Outdoor, w/pump, Cat. I-III, with elec. Bypass, CI-Cu HX |
| PM1250NACC3BXN | Indoor/Outdoor, w/pump, Cat. I-III, with elec. Bypass, CI-Cu HX |
| PM1500NACC3BXN | Indoor/Outdoor, w/pump, Cat. I-III, with elec. Bypass, CI-Cu HX |
| PM1750NACC3BXN | Indoor/Outdoor, w/pump, Cat. I-III, with elec. Bypass, CI-Cu HX |
| PM2000NACC3BXN | Indoor/Outdoor, w/pump, Cat. I-III, with elec. Bypass, CI-Cu HX |
| PM0500NACC3PXN | Indoor/Outdoor, w/pump, Cat. I-III, with elec. Bypass, CI-Cu-Ni HX |
| PM0750NACC3PXN | Indoor/Outdoor, w/pump, Cat. I-III, with elec. Bypass, CI-Cu-Ni HX |
| PM1000NACC3PXN | Indoor/Outdoor, w/pump, Cat. I-III, with elec. Bypass, CI-Cu-Ni HX |
| PM1250NACC3PXN | Indoor/Outdoor, w/pump, Cat. I-III, with elec. Bypass, CI-Cu-Ni HX |
| PM1500NACC3PXN | Indoor/Outdoor, w/pump, Cat. I-III, with elec. Bypass, CI-Cu-Ni HX |
| PM1750NACC3PXN | Indoor/Outdoor, w/pump, Cat. I-III, with elec. Bypass, CI-Cu-Ni HX |
| PM2000NACC3PXN | Indoor/Outdoor, w/pump, Cat. I-III, with elec. Bypass, CI-Cu-Ni HX |

NOTE: Other models, including those that meet CSD-1 requirements, and propane gas models are available. Contact factory for details.

POWERMAX[®]

High Performance Commercial Pool Heaters

Packed With Advanced Features

Every PowerMax heater comes standard with a built-in automatic mixing system to make sure low return water temperatures won't cause problematic condensation in the heat exchanger. The mixing system includes an automatic three-way valve, fast-acting electronic actuator, factory mounted and wired pump, and a simple operating control that monitors all important system functions. That means the PowerMax heater can handle return water temperatures as low as 60 degrees without condensation. And, every PowerMax heater has a standard "Backwash Switch" that allows you to safely backwash the filter and avoid high-limit shutdowns by allowing the pump time delay to complete its cycle before shutting down the heater. NOx emissions are among the lowest in the industry at 10 ppm, and the PowerMax heater maintains its efficiency and low NOx levels at all stages of firing.

Easy to Install and Service

The PowerMax heater makes service easy and operation reliable, because we do all of the setup for you. Whether you use room air for combustion or take air from outside, vent into a chimney or through a sidewall, or install the heater indoors or outside, the PowerMax heater is ready "out of the box." The automatic bypass and combustion systems are factory preset, and no field adjustments are required. Whether you are installing at sea level or at a 10,000-foot elevation, no orifice or component changes are needed.

We've also taken service access to a new level. The PowerMax heater makes installation easier by providing a control system that gives installers several different operation modes, selected with the touch of a button. Modes include settings for primary/secondary piping, DHW storage tank systems, B.A.S. controls and other common applications.

The PowerMax heater features convenient, modular construction that separates the burner trays, gas train and blower assembly to ensure perfect alignment of orifices and burners. Gas manifolds mount on the burner flange, and the burner flanges seal to the air box. In addition, the entire gas train can be easily removed, and the heat exchanger simply lifts out from the top or front of the unit. The air filter is a breeze to clean...just wash it with soap and water.

The PowerMax touch screen control panel is a step beyond smart, it's intuitive. Powerful control logic is easily managed via icon driven, touch screen technology. The result is a control system with the intelligence to manage installations from the simple to the complex. Advanced ease of use functionality includes a home screen summary of operational status, quick start easy configuration, intelligent redundancy and auto cascade configuration for multiple pool heater installations

Installation and Service Convenience Features

- Reversible vent and intake air terminals (field convertible).
- Gas supply right or left side (field convertible).
- Reversible water connections to accommodate left or right side piping.
- Separate field-wiring terminal panel.
- Front panel diagnostics.
- Optional rack mounting.
- Quick-access panel for igniter replacement.
- Combustion chamber sight glasses on both right and left sides.



1620 Hawkins Ave | Sanford, NC 27330 | 800.831.7133 | pentair.com

All indicated Pentair trademarks and logos are property of Pentair. Third party registered and unregistered trademarks and logos are the property of their respective owners.

P1-354 04/2021 ©2021 Pentair. All rights reserved. Pentair.com

