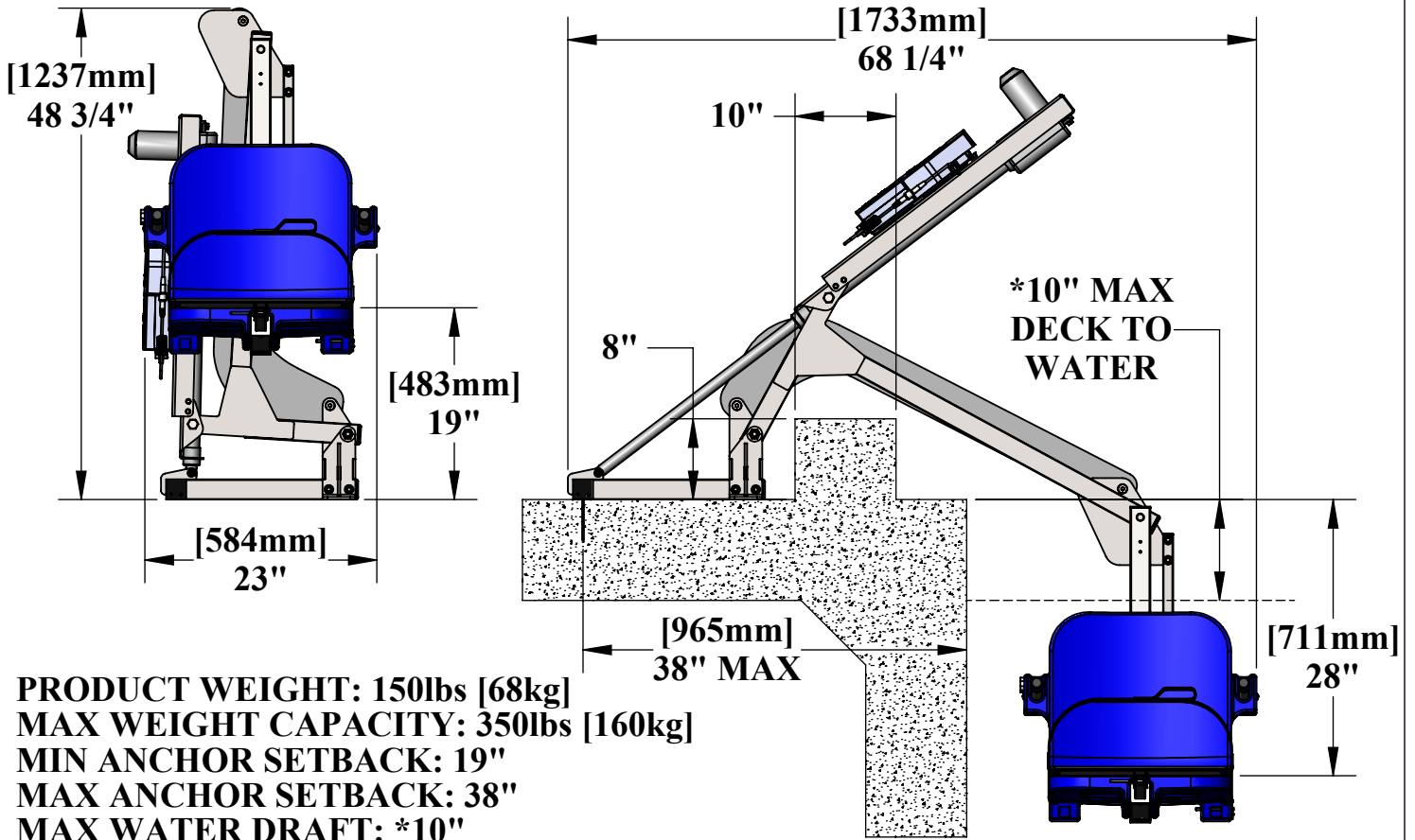


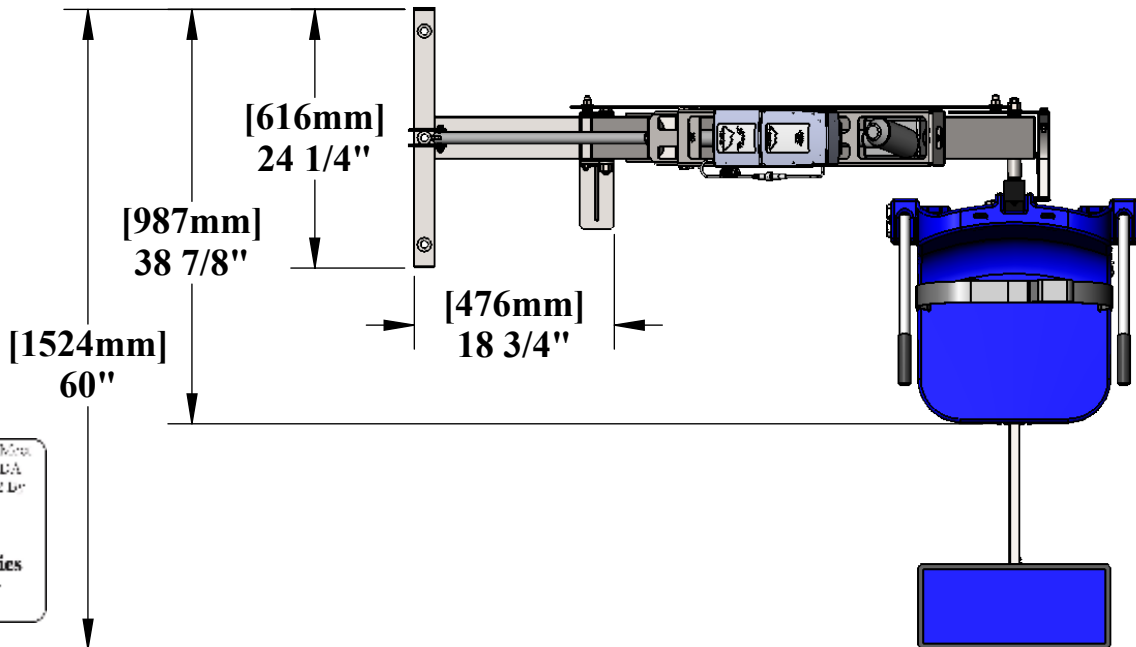
AMBASSADOR LIFT

US PATENT NO'S: [7,249,386 B2] [D507,769 S]

MEASUREMENT TAKEN WITH THE LIFT AT FULL LOAD



PRODUCT WEIGHT: 150lbs [68kg]
MAX WEIGHT CAPACITY: 350lbs [160kg]
MIN ANCHOR SETBACK: 19"
MAX ANCHOR SETBACK: 38"
MAX WATER DRAFT: *10"



9889 GARRYMORE LANE
 MISSOULA, MT 59808
 (406) 549-0769
 FAX (406) 549-2602

NOTE:
 *SPECIFICATIONS ARE SUBJECT TO CHANGE WITHOUT NOTICE

PRODUCT: AMBASSADOR	
PART #: F-PPXRD-NA	
SCALE: 1:18	DATE: 10/17/2017
DRAWN BY: KR	REVISION: A