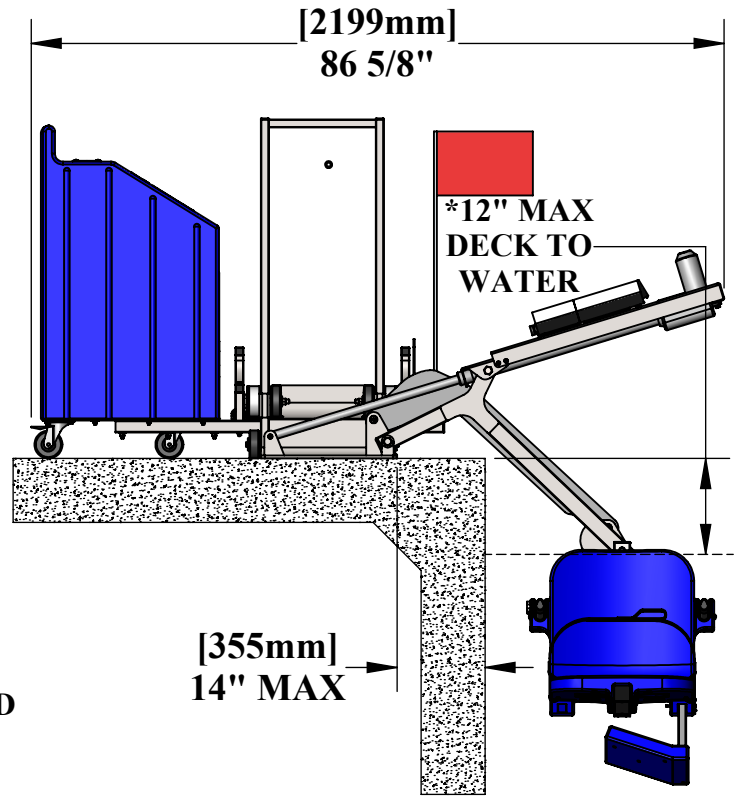
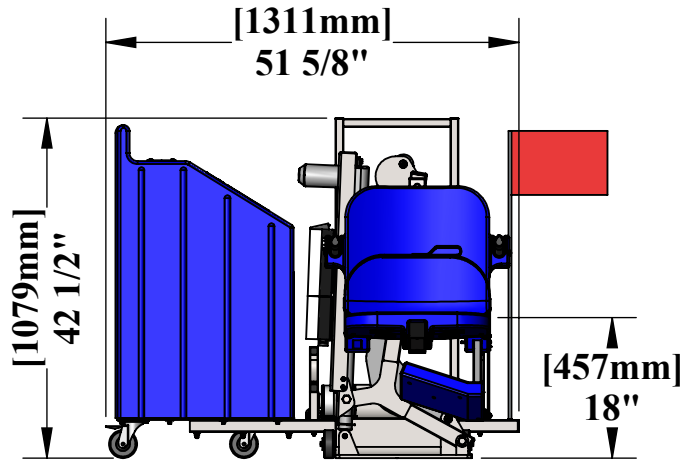


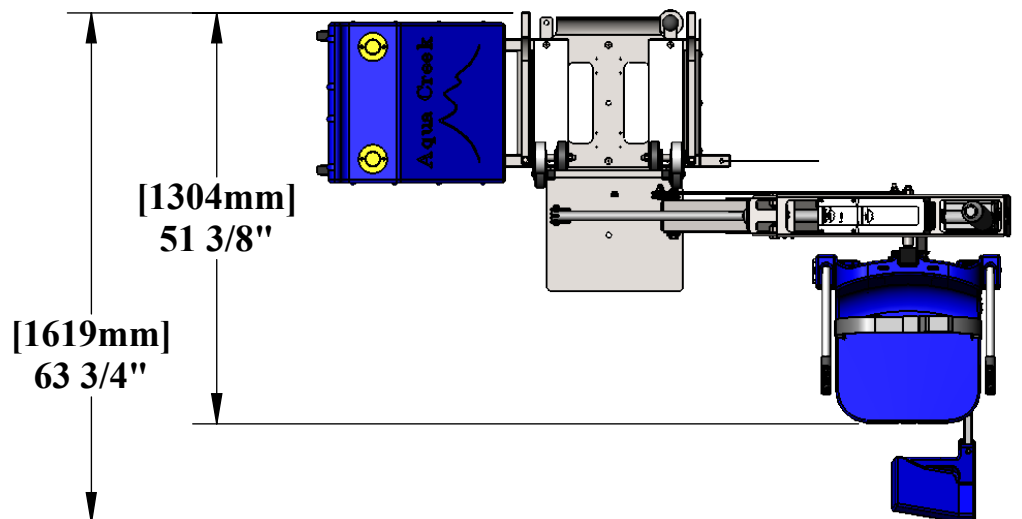
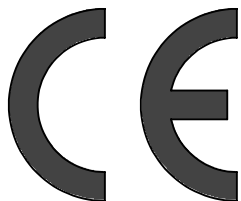
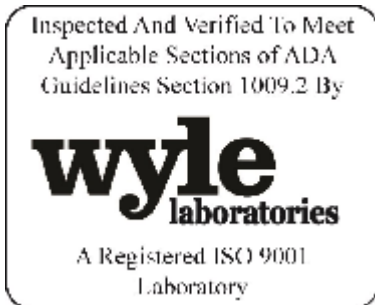
PATRIOT-AT1 LIFT

U.S. PATENT NO'S: [7,249,386 B2] [D507,769 S]

MEASUREMENT TAKEN WITH THE LIFT AT FULL LOAD



PRODUCT WEIGHT: 275lbs [124kg]
MAX WEIGHT CAPACITY: 375lbs [170kg]
MIN ANCHOR SETBACK: 9"
MAX ANCHOR SETBACK: 14"
MAX WATER DRAFT: *12"
ADA COMPLIANCE: THIRD PARTY VERIFIED
BY WYLE LABS
STOWED WIDTH: 35 1/4" (W/O FOOTREST)



9889 GARRYMORE LANE
 MISSOULA, MT 59808
 (406) 549-0769
 FAX (406) 549-2602

NOTE:
 *SPECIFICATIONS ARE SUBJECT TO CHANGE WITHOUT NOTICE

PRODUCT:	PATRIOT-AT1		
PART #:	F-12PPL-HD-AT1		
SCALE:	1:24	DATE:	7/14/2017
DRAWN BY:	KR	REVISION:	A